

USER MANUAL MANUALE D'USO

ZE 2200

- ZM 2000 SYSTEM 6-ZONE
EXPANDER
- UNITÀ D'ESPANSIONE ZONE
DEL SISTEMA ZM 2000





ENGLISH	
SAFETY PRECAUTIONS	4
ZM 2000 SYSTEM DESCRIPTION	6
ZM 2000 SYSTEM EXAMPLES (with ZE 2200 expanders)	7
RACK INSTALLATION	8
ZE 2200 FRONT PANEL	8
ZE 2200 REAR PANEL	9
DUAL AMPLIFIER CONNECTION EXAMPLE	13
0 dB ZONE COMMUTATION	14
SPECIFICATIONS	15
ITALIANO	
AVVERTENZE PER LA SICUREZZA	16
ZM 2000 – DESCRIZIONE DEL SISTEMA	18
ESEMPI DI SISTEMI ZM 2000 (con unità ZE 2200)	19
INSTALLAZIONE IN RACK 19"	20
ZE 2200 – PANNELLO FRONTALE	20
ZE 2200 – PANNELLO POSTERIORE	21
ESEMPIO GENERICO DI COLLEGAMENTO CON DOPPIO AMPLIFICATORE	25
COMMUTAZIONE DELLE ZONE CON SEGNALI A 0 dB	26
SPECIFICHE TECNICHE	27

**IMPORTANT**

Before connecting and using this product, please read this instruction manual carefully and keep it on hand for future reference.

The manual is to be considered an integral part of this product and must accompany it when it changes ownership as a reference for correct installation and use as well as for the safety precautions.

RCF S.p.A. will not assume any responsibility for the incorrect installation and / or use of this product.

WARNING: To prevent the risk of fire or electric shock, never expose this product to rain or humidity.

SAFETY PRECAUTIONS

1. All the precautions, in particular the safety ones, must be read with special attention, as they provide important information.

2.1 POWER SUPPLY FROM MAINS

- **The mains voltage is sufficiently high to involve a risk of electrocution: never install or connect this product when its power cord is plugged in.**
- **Before powering up, make sure that all the connections have been made correctly and the voltage of your mains corresponds to the voltage shown on the rating plate on the unit, if not, please contact your RCF dealer.**
- **The metallic parts of the unit are earthed by means of the power cord. An apparatus with CLASS I construction shall be connected to a mains socket outlet with a protective earthing connection.**
- **Protect the power cord from damage. Make sure it is positioned in a way that it cannot be stepped on or crushed by objects.**
- **To prevent the risk of electric shock, never open this product: there are no parts inside that the user needs to access.**
- **The mains plug is used as the disconnect device and it shall remain readily operable.**

2.2 SECONDARY (/ EMERGENCY) POWER SUPPLY THROUGH BATTERIES

- **The apparatus operating voltage is 24 V dc (therefore, it is necessary to connect in series several batteries having a lower nominal voltage, example: 2 x 12 V).**
- **Always use rechargeable batteries, which need to be chosen according to the maximum possible load.**
- **Verify the polarity of batteries is correct.**
- **Do NOT short-circuit batteries (i.e. connecting the 2 opposite poles together with metallic wires).**
- **Throw empty batteries away according to your country laws about ecology and environment protection.**

3. Make sure that no objects or liquids can get into this product, as this may cause a short circuit. This apparatus shall not be exposed to dripping or splashing.

No objects filled with liquid (such as vases) and no naked sources (such as lighted candles) shall be placed on this apparatus.

4. Never attempt to carry out any operations, modifications or repairs that are not expressly described in this manual.

Contact your authorized service centre or qualified personnel should any of the following occur:

- **The product does not function (or functions in an anomalous way).**
- **The power supply cord has been damaged.**
- **Objects or liquids have got in the unit.**

IMPORTANT**WARNING**

- The product has been subject to a heavy impact.

5. If this product is not used for a long period, disconnect the power cord (and / or batteries).

6. If this product begins emitting any strange odours or smoke, switch it off immediately and disconnect the power supply cord.

7. The terminals marked with the symbol  are HAZARDOUS LIVE and their connection is to be made by an INSTRUCTED PERSON or the use of ready-made cables is required.

8. Do not connect this product to any equipment or accessories not foreseen.

For suspended installation, only use the dedicated anchoring points and do not try to hang this product by using elements that are unsuitable or not specific for this purpose.

Also check the suitability of the support surface to which the product is anchored (wall, ceiling, structure, etc.), and the components used for attachment (screw anchors, screws, brackets not supplied by RCF etc.), which must guarantee the security of the system / installation over time, also considering, for example, the mechanical vibrations normally generated by transducers.

To prevent the risk of falling equipment, do not stack multiple units of this product unless this possibility is specified in the user manual.

9. RCF S.p.A. strongly recommends this product is only installed by professional qualified installers (or specialised firms) who can ensure correct installation and certify it according to the regulations in force.

The entire audio system must comply with the current standards and regulations regarding electrical systems.

10. Supports and trolleys

The equipment should be only used on trolleys or supports, where necessary, that are recommended by the manufacturer. The equipment / support / trolley assembly must be moved with extreme caution. Sudden stops, excessive pushing force and uneven floors may cause the assembly to overturn.

11. Mechanical and electrical factors need to be considered when installing a professional audio system (in addition to those which are strictly acoustic, such as sound pressure, angles of coverage, frequency response, etc.).

12. Hearing loss

Exposure to high sound levels can cause permanent hearing loss. The acoustic pressure level that leads to hearing loss is different from person to person and depends on the duration of exposure. To prevent potentially dangerous exposure to high levels of acoustic pressure, anyone who is exposed to these levels should use adequate protection devices.

When a transducer capable of producing high sound levels is being used, it is therefore necessary to wear ear plugs or protective earphones.

See the technical specifications in loudspeaker instruction manuals to know their maximum sound pressure levels.

13. Do not obstruct the ventilation grilles of the unit. Situate this product far from any heat sources and always ensure adequate air circulation around the ventilation grilles.

14. Do not overload this product for a long time.

15. Never force the control elements (keys, knobs, etc.).

16. Do not use solvents, alcohol, benzene or other volatile substances for cleaning the external parts of this product. Use a dry cloth.

NOTES ABOUT AUDIO SIGNAL CABLES

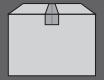


To prevent the occurrence of noise on microphone / line signal cables, use screened cables only and avoid putting them close to:

- Equipment that produces high-intensity electromagnetic fields
- Mains cables
- Loudspeaker lines.

RCF S.P.A. THANKS YOU FOR PURCHASING THIS PRODUCT, WHICH HAS BEEN DESIGNED TO GUARANTEE RELIABILITY AND HIGH PERFORMANCES.

ZM 2000 SYSTEM DESCRIPTION



ZM 2000 is a versatile multi-zone sound system suitable for paging and background music. The system main unit is available in two models:

- ZM 2124 includes a preamplifier with 6-zone selection and a built-in 240W amplifier
- ZM 2100 includes a preamplifier with 6-zone selection (no internal amplifier).

ZM 2124 and ZM 2100 have input connectors for sources and can manage priority and route the two buses to the system zones.

A system can include just a single main unit (either ZM 2124 or ZM 2100) for a basic 6-zone system.

ZM 2124 is mostly indicated for small systems, where the required power per zone is limited.

It includes a output level control for each of the 6 zones powered by the internal 240W amplifier. An additional external amplifier is needed to keep the music programme in zones not involved by paging.

ZM 2100 allows you to choose either a power-sharing configuration by using one or two external amplifiers (the second is needed to keep music in zones not paged) for all the 6 zones or to use an amplifier (or more) per each zone.

Up to 8 ZE 2200 6-zone expanders can be added in order to increase the system zones up to 54.

Each ZE 2200 offers the possibility to either share the main unit music programme or insert a local source.

All ZM 2124 / ZM 2100 main units and ZE 2200 expanders are based on a dual bus architecture, where the first bus is mainly dedicated for selective / all-call paging, while the second bus is for music distribution (or other signals).

All units have a toggle button per zone to turn on / off the second bus (music) and logic inputs / outputs (GPI / GPO) to interface the system with other devices.

ZM 2124 and ZM 2100 inputs:

- 2 MIC and 2 MIC / LINE (with configurable priority among them).
- 2 local (plus 1 through RC 2946 remote control) selectable AUX on the music bus.
- 1 additional AUX INPUT with priority over the other two.
- A dedicated paging input for up to six BM 2006 paging microphones.
- An emergency audio input.

Inputs 1 to 4 and AUX have level and tone controls on the front panel.

Paging can be preceded by a selectable chime.

All ZM 2124 / ZM 2100 main units and ZE 2200 expanders can be powered by mains (115 / 230 V) or 24 V dc. All are provided with 19" rack mounting accessories: 3 rack units for ZM 2124 / ZM 2100, 1 rack unit for ZE 2200.

BM 2006 are suitable paging microphones to complete the system, with 6-zone keys plus 'All-Call' and 'PTT'. Up to six BM 2006 can be daisy-chained to a main unit.

BE 2012 are additional keyboards that need to be linked to a BM 2006 paging microphone and each adds 12 zone keys.

One or more BE 2012 are necessary to page zones related to ZE 2200 expanders.

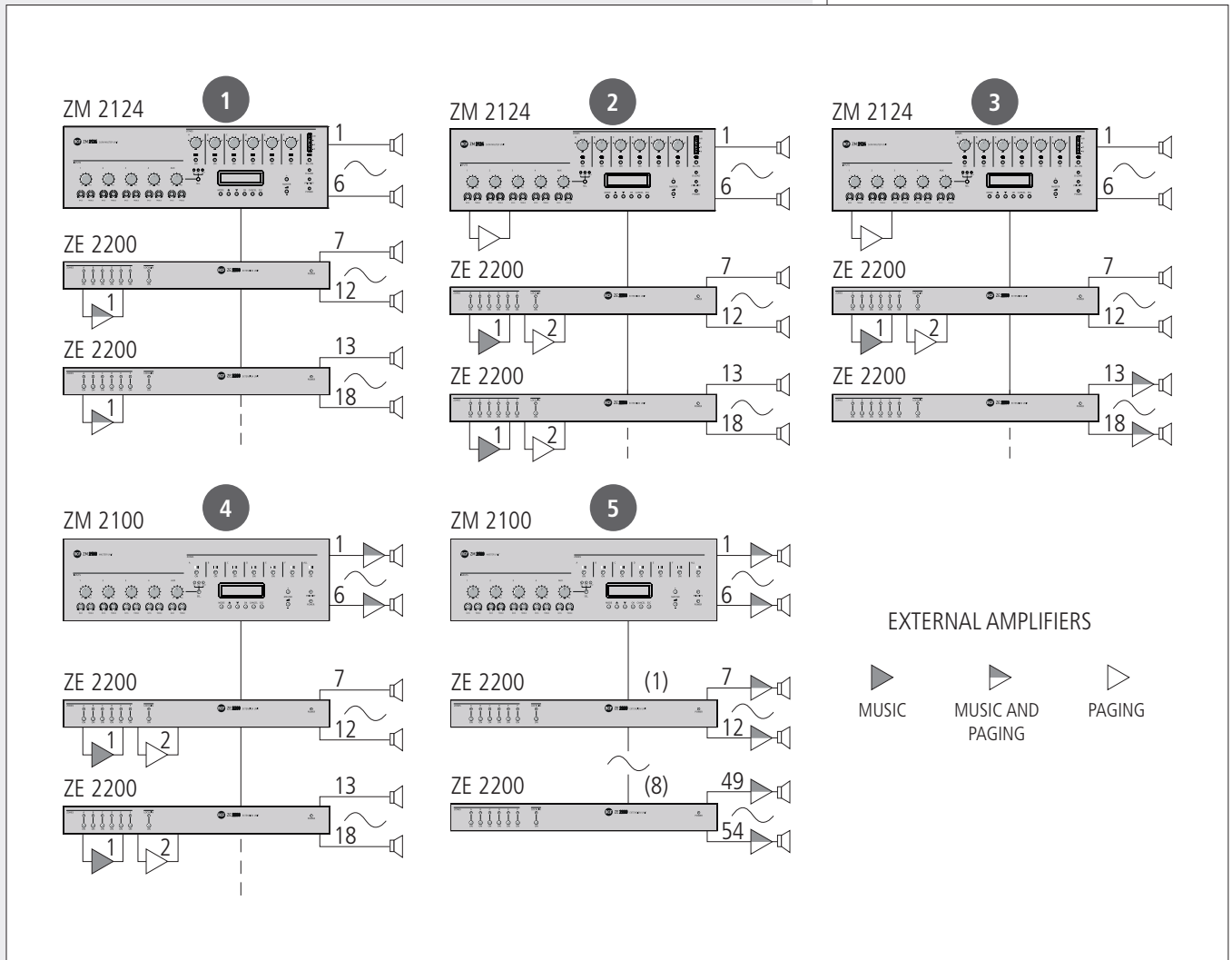
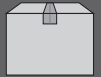
It is possible to link up to four BE 2012 to reach the maximum system capability of 54 zones.

BM 3022 are all-call paging microphones (suitable for emergency purpose) that can be directly connected (by sharing the same line) to the main unit MIC 1 input.

All paging console connections are made through CAT5 FTP cable.

RC 2946 remote controls are wall-mount devices for AUX input selection and zone activation (music bus).

ZM 2000 SYSTEM EXAMPLES (WITH ZE 2200 EXPANDERS)



- 1 The ZM 2124 central unit is set to the 'single amp.' mode. Every 6-zone group is served by a single amplifier only, therefore:
- The music is NOT kept in zones that are not selected for paging
 - Max. total power of each 6-zone group is 240 W.

- 2 The ZM 2124 central unit is set to the 'dual amp.' mode and needs an additional external amplifier. Every 6-zone group is served by two amplifiers, therefore:
- The music is kept in zones that are not selected for paging
 - Max. total power of each 6-zone group is 240 W.

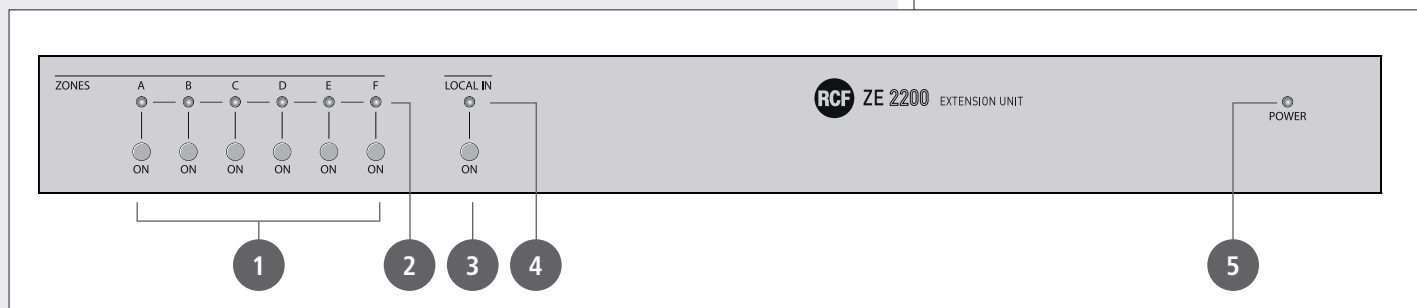
- 3 Like the example no.2, but each zone from 13 to 18 can have a dedicated amplifier or more (the respective ZE 2200 is wired for '0 dB commutation').
The ZM 2124 central unit needs to be set to the 'dual amp.' mode.
- 4 The ZM 2100 central unit is set to the 'dual amp.' mode and wired for '0 dB commutation', so each zone from 1 to 6 can have a dedicated amplifier (or more).
Each ZE 2200 expander is linked to two amplifiers, therefore the max. total power of each ZE 2200 6-zone group is 240 W.
The music is kept in zones that are not selected for paging.
- 5 The ZM 2100 central unit and all the eight ZE 2200 expanders are wired for '0 dB commutation', so all the 54 zones can have a dedicated amplifier (or more).
The ZM 2100 central unit needs to be set to the 'dual amp.' mode.
Of course, the music is kept in zones that are not selected for paging.

RACK INSTALLATION



ZE 2200 expanders can be mounted into 19" rack cabinets by fixing (through screws) their respective rack ears.

ZE 2200 FRONT PANEL

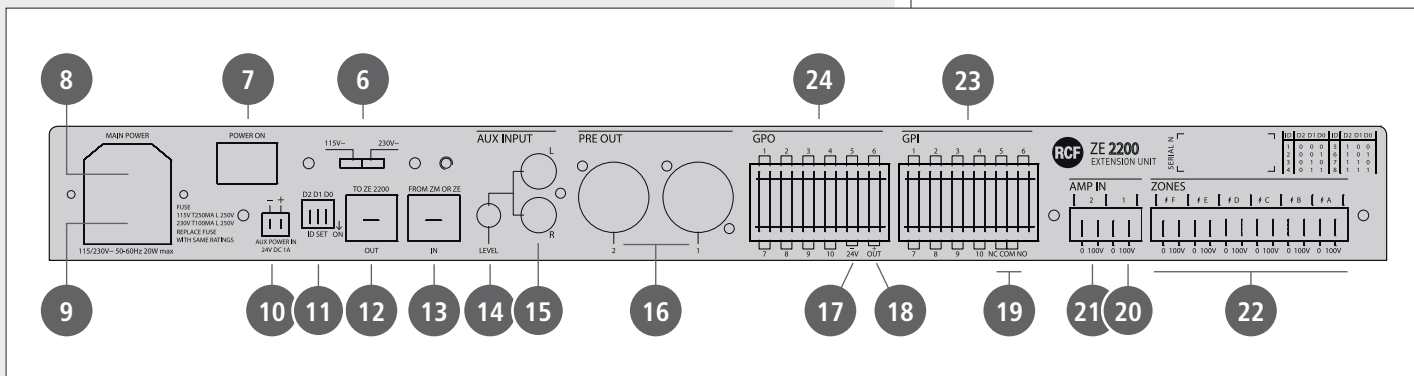


- 1 Zone ON switches (A to F)
Press one or more switches to turn on / off the music bus on their respective zones.
- 2 Zone ON indicators (A to F)
Each LED is steady lit when its respective zone is selected (or flashing when paging).
- 3 Local AUX INPUT ON switch
Press to turn on / off the local AUX INPUT ¹⁵.
Its signal is only routed to the music bus of the same ZE 2200 expander.

WHEN TURNED ON, THE LOCAL AUX INPUT HAS PRIORITY OVER THE BACKGROUND MUSIC SIGNAL COMING FROM THE ZM 2124 / ZM 2100 CENTRAL UNIT.

- 4 LOCAL IN LED
When lit, the local AUX INPUT has been turned on.
- 5 POWER LED
When lit, the ZE 2200 expander is turned on and operating.





6 AC voltage selector (115 – 230 V ac)

WARNING: before powering up, make sure the selected voltage corresponds to the mains one.

7 POWER ON switch (O = off, I = on)

8 AC inlet for the power cord.

9 AC FUSE

Always use a fuse as specified below the AC inlet.

10 **24 V DC** (removable connector)

Input for secondary 24 V dc power supply (i.e. batteries) that will maintain the operation of unit if the AC power (from mains) is temporarily unavailable.

Double check the correct polarity + / – when connecting.

11 **ID SET dip-switches**

ZE 2200 digital address setting.

Each ZE 2200 shall be set to a proper and unique address according to the following table:



ID (address)	ZONES	D2 dip-switch	D1 dip-switch	D0 dip-switch
1	7 ÷ 12	off	off	off
2	13 ÷ 18	off	off	ON
3	19 ÷ 24	off	ON	off
4	25 ÷ 30	off	ON	ON
5	31 ÷ 36	ON	off	off
6	37 ÷ 42	ON	off	ON
7	43 ÷ 48	ON	ON	off
8	49 ÷ 54	ON	ON	ON

12 TO ZE 2200 (OUT)

RJ 45 port to connect the next ZE 2200 6-zone expander.

13 FROM ZM OR ZE (IN)

RJ 45 port to connect the either the ZM 2124 / ZM 2100 central unit or the previous ZE 2200 6-zone expander.

14 Local AUX INPUT LEVEL

Turn it either clockwise to increase the level or counterclockwise to decrease it.

15 Local AUX INPUT (dual RCA socket, unbalanced).

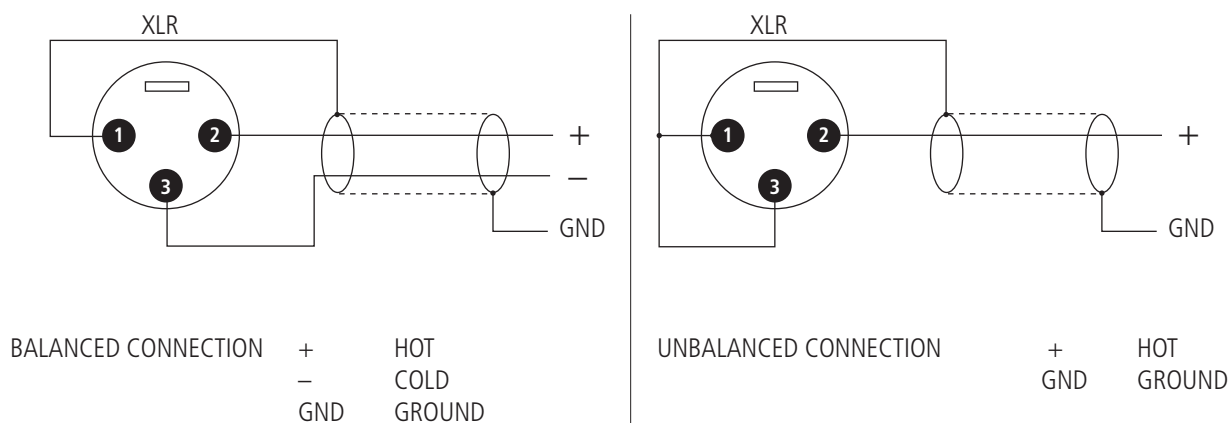
THE TWO CHANNELS OF THE STEREO SOURCE CONNECTED TO THE LOCAL AUX INPUT ARE SUMMED TO GET A MONO SIGNAL.

16 PRE OUT

0 dB balanced outputs of the signals coming from the ZM 2124 / ZM 2100 preamplifier (or the local AUX INPUT) with XLR connectors.



0 DB BALANCED OUTPUT(S) OF THE INTERNAL PREAMPLIFIER.



In the **single amplifier mode** (set through a dip-switch of the ZM 2124 / ZM 2100 central unit), link the output 1 to the input of the external amplifier used for both paging and background music.

In the **dual amplifier mode** (set through a dip-switch of the ZM 2124 / ZM 2100 central unit), link the output 1 to the input of the external amplifier used for background music and the output 2 to the input of the external amplifier used for paging.

If using **one or more external amplifiers per each zone**, link the output 1 directly to AMP IN 1 **20** and the output 2 directly to AMP IN 2 **21** (see the '**0 dB zone commutation**' manual section).

17 18 24 V OUT (removable connector)

24 V dc output for logic inputs (GPI) and external equipment (I max: 800 mA).

2 pins are the negative terminals '-' **17**, 2 pins are the positive terminals '+' **18**.

19 NC – COM – NO (removable connector)
 Dry contact of an internal relay that is activated when paging.

PINS:

NC	NORMALLY CLOSED
COM	COMMON
NO	NORMALLY OPEN

20 AMP IN 1 (removable connector)
 Input for the connection of the first external amplifier 100 V output in the 'power sharing' configuration (all zones of the ZE 2200 expander are only served by either one or two amplifiers, one for paging and one for background music).
 If the ZM 2124 / ZM 2100 central unit is set to the single amplifier mode (through its respective dip-switch), the external amplifier is used for both paging and background music.

If the ZM 2124 / ZM 2100 central unit is set to the dual amplifier mode, the first external amplifier is used for background music only.

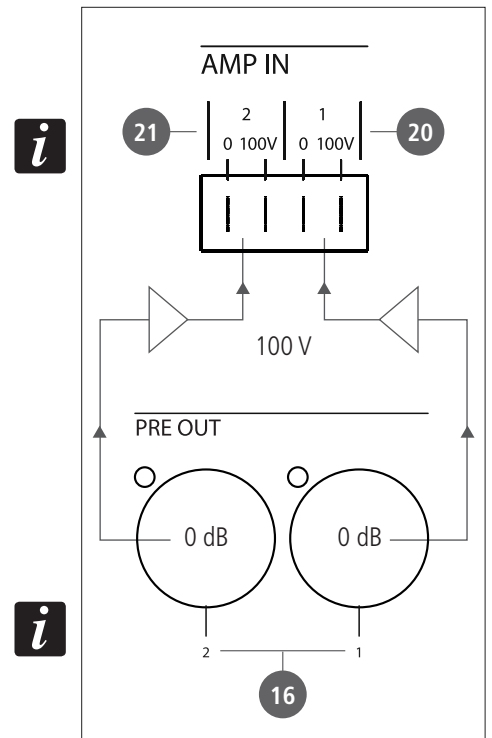
THE FIRST EXTERNAL AMPLIFIER SHALL HAVE ENOUGH POWER (MAX. 240 W) FOR ALL LOUSPEAKERS CONNECTED TO THE ZE 2200 ZONE OUTPUTS.

If using an external amplifier per each zone, link the PRE OUT 1 **16** directly to AMP IN 1 **20** (see the next '0 dB zone commutation' manual section). In this case, all external amplifier inputs will be connected to the loudspeaker outputs **22** (here used as six 0 dB audio outputs, one per zone).

21 AMP IN 2 (removable connector)
 Input for the connection of the second external amplifier 100 V output in the 'power sharing' configuration – dual amplifier mode (all zones of the ZE 2200 expander are only served by two amplifiers, one for paging and one for background music).
 The second external amplifier is used for paging only.

THE SECOND EXTERNAL AMPLIFIER SHALL HAVE ENOUGH POWER (MAX. 240 W) FOR ALL LOUSPEAKERS CONNECTED TO THE ZE 2200 ZONE OUTPUTS.

If using an external amplifier per each zone, link the PRE OUT 2 **16** directly to AMP IN 2 **21** (see the next '0 dB zone commutation' manual section).
 In this case, all external amplifier inputs will be connected to the loudspeaker outputs **22** (here used as six 0 dB audio outputs, one per zone).

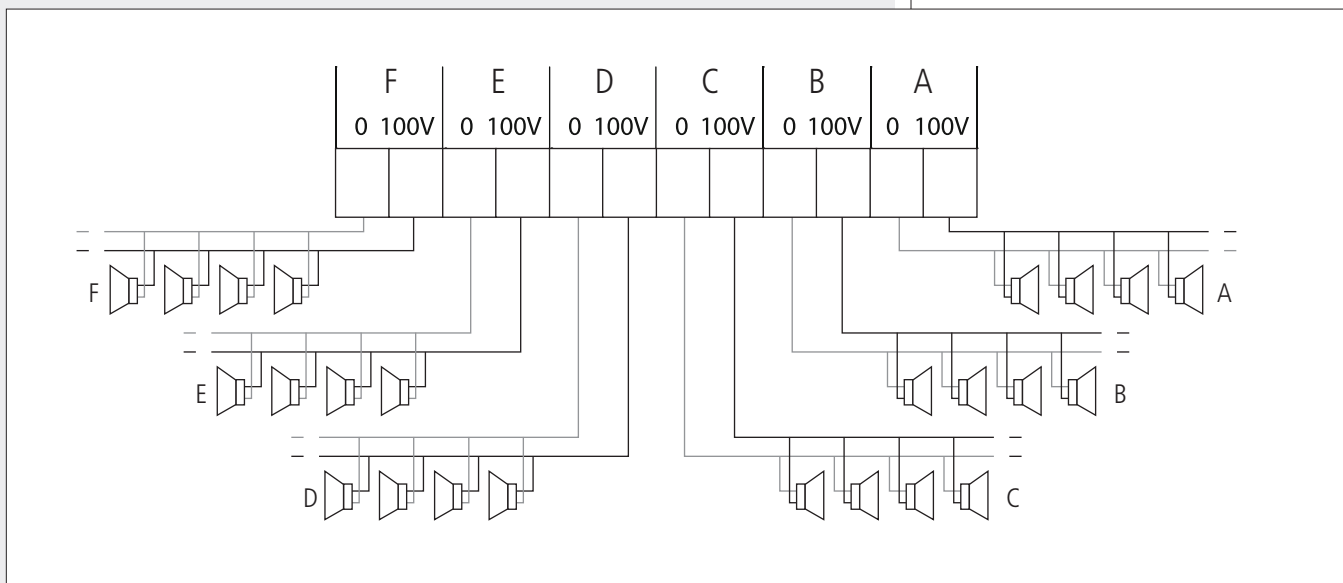


22 A to F (removable connector)

Six 100 V loudspeaker outputs affected by zone selection.

In the 'power sharing' configuration, the total loudspeaker power (the sum of all the 6 zones) cannot exceed 240 W.

Each loudspeaker shall have a 100 V input.



Note: WHEN USING ONE OR MORE EXTERNAL AMPLIFIERS PER EACH ZONE, LINK EVERY EXTERNAL AMPLIFIER INPUT TO ITS RESPECTIVE ZONE LOUDSPEAKER OUTPUT, WHICH IS HERE USED AS A 0 dB AUDIO OUTPUT (SEE THE NEXT '0 dB ZONE COMMUTATION' MANUAL SECTION).

23 GPI ('Generic Purpose Inputs', removable connector)

10 logic inputs for commands from other devices.

Their function depends on the selected mode in the ZM 2124 / ZM 2100 main unit:

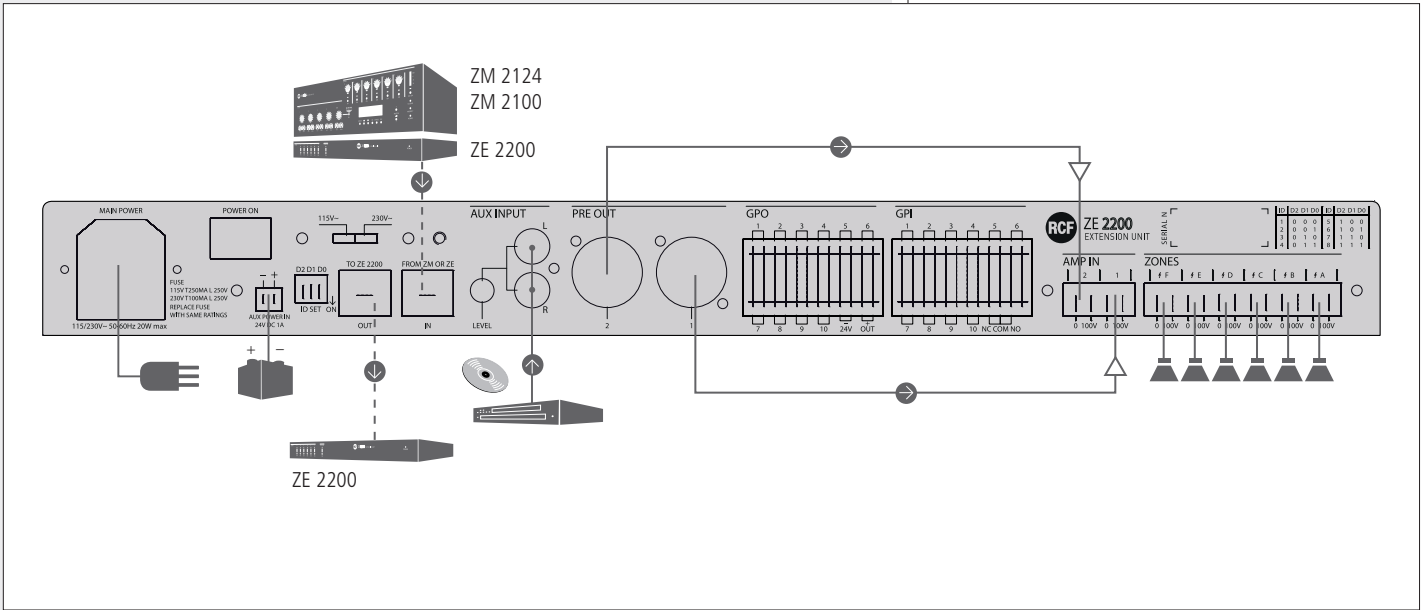
- **ZONE TRIGGER:** when a logic input (GPI) is linked to 24 V OUT, the output zone (the music bus) and the logic output (GPO) having the same number are activated.
- **HIGH TRIGGER:** when a logic input (GPI) is not linked to 24 V OUT, the logic output (GPO) having the same number is activated.
- **LOW TRIGGER:** when a logic input (GPI) is linked to 24 V OUT, the logic output (GPO) having the same number is activated.

24 GPO ('Generic Purpose Outputs', removable connector)

10 logic outputs that are activated (the 2 pins get shorted) when paging their respective zone or due to a GPI command.

For instance, the GPO 3 is on when paging the zone 3.

DUAL AMPLIFIER CONNECTION EXAMPLE





Every ZE 2200 expander allows to use an external amplifier (or more) per each of the 6 zones.

All ZE 2200 internal relays are (in this case) used to switch 0 dB audio signals (instead of 100 V lines).

The ZM 2124 / ZM 2100 central unit needs to be set to the dual amplifier mode through its respective dip-switch.

CONNECTIONS

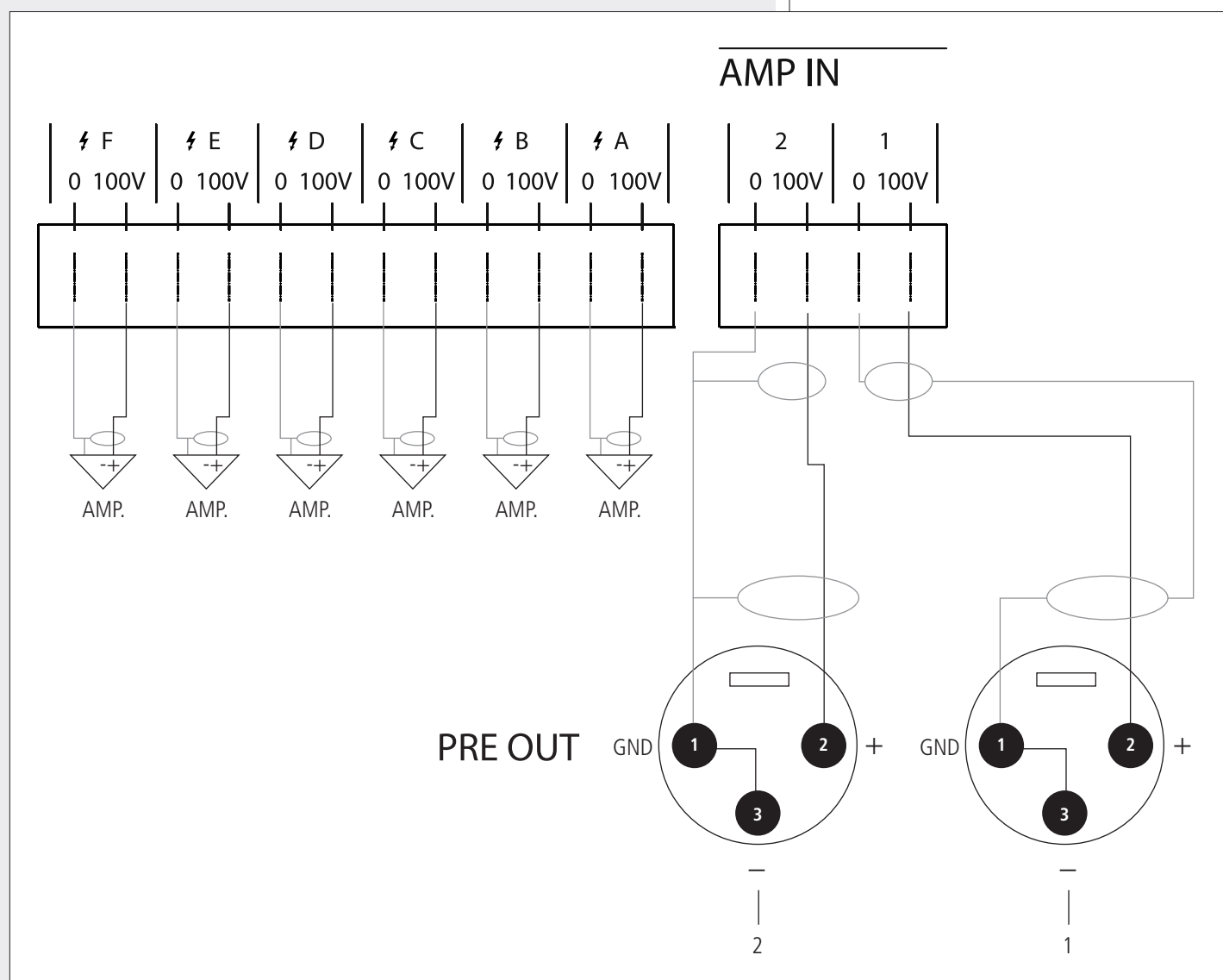
Link the **PRE OUT 1** 16 directly to **AMP IN 1** 20 and **PRE OUT 2** 16 directly to **AMP IN 2** 21.

Link the A ÷ F 22 outputs to the external amplifier inputs.

NOTES:

- CUSTOM CABLES NEED TO BE MADE.
- ALL ZE 2200 CONTACTS LABELLED '100 V' ARE HERE USED FOR THE SIGNAL.
- ALL ZE 2200 CONTACTS LABELLED '0' ARE HERE USED FOR THE GROUND.

SEE THE FOLLOWING SCHEMATIC:





	ZE 2200
AUX INPUT SENSITIVITY	1 V (+ 2 dBu)
AUX INPUT SIGNAL / NOISE RATIO	> 75 dB
AUX INPUT FREQUENCY RESPONSE	50 Hz ÷ 20 kHz
AUX INPUT IMPEDANCE	10 kΩ (unbalanced)
PRE OUT MAX. OUTPUT LEVEL	1 V
AMPLIFIER 100 V INPUT MAX. POWER	240 W
POWER SUPPLY	115 V / 230 V ac (50-60 Hz), 24 V
MAX. POWER CONSUMPTION	15 W
OPERATING TEMPERATURE	- 10 ÷ + 45 °C (+ 14 ÷ + 113 °F)
DIMENSIONS (w, h, d)	438 mm, 44 mm, 222 mm (19" rack, 1 unit)
NET WEIGHT	3.4 kg

**IMPORTANTE**

Prima di collegare ed utilizzare questo prodotto, leggere attentamente le istruzioni contenute in questo manuale, il quale è da conservare per riferimenti futuri.

Il presente manuale costituisce parte integrante del prodotto e deve accompagnare quest'ultimo anche nei passaggi di proprietà, per permettere al nuovo proprietario di conoscere le modalità d'installazione e d'utilizzo e le avvertenze per la sicurezza.

L'installazione e l'utilizzo errati del prodotto esimono la RCF S.p.A. da ogni responsabilità.

ATTENZIONE: Per prevenire i rischi di fiamme o scosse elettriche, non esporre mai questo prodotto alla pioggia o all'umidità; questo apparecchio è progettato per il solo uso all'interno.

AVVERTENZE PER LA SICUREZZA

1. Tutte le avvertenze, in particolare quelle relative alla sicurezza, devono essere lette con particolare attenzione, in quanto contengono importanti informazioni.

2.1 ALIMENTAZIONE PRINCIPALE DA RETE ELETTRICA

- La tensione di alimentazione dell'apparecchio ha un valore sufficientemente alto da costituire un rischio di folgorazione per le persone: non procedere mai all'installazione od alla connessione dell'apparecchio con il cavo dell'alimentazione collegato alla rete elettrica.
- Prima di alimentare questo prodotto, assicurarsi che tutte le connessioni siano corrette e che la tensione della vostra rete di alimentazione corrisponda quella di targa dell'apparecchio, in caso contrario rivolgetevi ad un rivenditore RCF.
- Le parti metalliche dell'apparecchio sono collegate a terra tramite il cavo di alimentazione. Un apparecchio avente costruzione di CLASSE I deve essere connesso alla presa di rete con un collegamento alla terra di protezione.
- Accertarsi che il cavo di alimentazione dell'apparecchio non possa essere calpestato o schiacciato da oggetti, al fine di salvaguardarne la perfetta integrità.
- Per evitare il rischio di shock elettrici, non aprire mai l'apparecchio: all'interno non vi sono parti che possono essere utilizzate dall'utente.
- La spina del cavo d'alimentazione è utilizzata come dispositivo di scollegamento e deve rimanere sempre facilmente accessibile.

2.2 ALIMENTAZIONE SECONDARIA D'EMERGENZA TRAMITE BATTERIE

- L'apparecchio funziona con tensione 24 V in corrente continua (pertanto, occorre collegare in serie più batterie aventi una tensione nominale inferiore, es. 2 x 12 V).
- Utilizzare sempre batterie ricaricabili, opportunamente scelte in funzione del massimo carico possibile.
- Verificare che sia rispettata la polarità delle batterie.
- Non cortocircuitare le batterie (ad esempio collegando i 2 poli opposti con un filo di metallo).
- Smaltire le batterie esaurite facendo riferimento alle norme di legge vigenti (nel paese di utilizzo) in materia di ecologia e protezione dell'ambiente.

3. Impedire che oggetti o liquidi entrino all'interno del prodotto, perché potrebbero causare un corto circuito. L'apparecchio non deve essere esposto a stillicidio o a spruzzi d'acqua; nessun oggetto pieno di liquido (quali vasi) e nessuna sorgente di fiamma nuda (es. candele accese) deve essere posto sull'apparecchio.


4. Non eseguire sul prodotto interventi / modifiche / riparazioni se non quelle espressamente descritte sul manuale istruzioni. Contattare centri di assistenza autorizzati o personale altamente qualificato quando:

- l'apparecchio non funziona (o funziona in modo anomalo);
- il cavo di alimentazione ha subito gravi danni;
- oggetti o liquidi sono entrati nell'apparecchio;
- l'apparecchio ha subito forti urti.

IMPORTANTE**ATTENZIONE**

5. Qualora questo prodotto non sia utilizzato per lunghi periodi, scollegare il cavo d'alimentazione dalla rete (e/o le batterie).

6. Nel caso che dal prodotto provengano odori anomali o fumo, spegnerlo immediatamente e scollegare il cavo d'alimentazione e/o le batterie.

7. I terminali marcati con il simbolo  sono da ritenersi ATTIVI e PERICOLOSI ed il loro collegamento deve essere effettuato da PERSONE ADDESTRATE oppure si devono utilizzare cavi già pronti.

8. Non collegare a questo prodotto altri apparecchi e accessori non previsti.

Quando è prevista l'installazione sospesa, utilizzare solamente gli appositi punti di ancoraggio e non cercare di appendere questo prodotto tramite elementi non idonei o previsti allo scopo. Verificare inoltre l'idoneità del supporto (parete, soffitto, struttura ecc., al quale è ancorato il prodotto) e dei componenti utilizzati per il fissaggio (tasselli, viti, staffe non fornite da RCF ecc.) che devono garantire la sicurezza dell'impianto / installazione nel tempo, anche considerando, ad esempio, vibrazioni meccaniche normalmente generate da un trasduttore. Per evitare il pericolo di cadute, non sovrapporre fra loro più unità di questo prodotto, quando questa possibilità non è espressamente contemplata dal manuale istruzioni.

9. RCF S.p.A. raccomanda vivamente che l'installazione di questo prodotto sia eseguita solamente da installatori professionali qualificati (oppure da ditte specializzate) in grado di farla correttamente e certificarla in accordo con le normative vigenti. Tutto il sistema audio dovrà essere in conformità con le norme e le leggi vigenti in materia di impianti elettrici.

10. Sostegni e Carrelli

Se previsto, il prodotto va utilizzato solo su carrelli o sostegni consigliati dal produttore. L'insieme apparecchio-sostegno / carrello va mosso con estrema cura. Arresti improvvisi, spinte eccessive e superfici irregolari o inclinate possono provocare il ribaltamento dell'insieme.

11. Si devono considerare anche i fattori meccanici ed elettrici quando si installa un sistema audio professionale (oltre a quelli prettamente acustici, come la pressione sonora, gli angoli di copertura, la risposta in frequenza, ecc.).

12. Perdita dell'udito

L'esposizione ad elevati livelli sonori può provocare la perdita permanente dell'udito. Il livello di pressione acustica pericolosa per l'udito varia sensibilmente da persona a persona e dipende dalla durata dell'esposizione. Per evitare un'esposizione potenzialmente pericolosa ad elevati livelli di pressione acustica, è necessario che chiunque sia sottoposto a tali livelli utilizzi delle adeguate protezioni; quando si fa funzionare un trasduttore in grado di produrre elevati livelli sonori è necessario indossare dei tappi per orecchie o delle cuffie protettive. Consultare i dati tecnici contenuti nei manuali istruzioni per conoscere le massime pressioni sonore che i diffusori acustici sono in grado di produrre.

13. Non ostruire le griglie di ventilazione dell'unità. Collocare il prodotto lontano da fonti di calore e garantire la circolazione dell'aria in corrispondenza delle griglie di aerazione.

14. Non sovraccaricare quest'apparecchio per un lungo periodo.

15. Non forzare mai gli organi di comando (tasti, manopole ecc.).

16. Non usare solventi, alcool, benzina o altre sostanze volatili per la pulitura delle parti esterne dell'unità; usare un panno asciutto.

NOTA SUI CAVI PER SEGNALI AUDIO



Per evitare fenomeni di rumorosità indotta sui cavi che trasportano segnali dai microfoni o di linea (per esempio OdB), usare solo cavi schermati ed evitare di posarli nelle vicinanze di:

- apparecchiature che producono campi elettromagnetici di forte intensità;
- cavi di rete;
- linee che alimentano altoparlanti.

RCF S.P.A. VI RINGRAZIA PER L'ACQUISTO DI QUESTO PRODOTTO, REALIZZATO IN MODO DA GARANTIRNE L'AFFIDABILITÀ E PRESTAZIONI ELEVATE.

ZM 2000 – DESCRIZIONE DEL SISTEMA



ZM 2000 è un versatile sistema audio adatto sia per annunci microfonic selettivi su più zone sia per la diffusione di musica di sottofondo.

L'unità centrale del sistema è disponibile in 2 modelli:

- ZM 2124 include un preamplificatore con selezione su 6 zone ed un amplificatore interno avente una potenza nominale di 240 W;
- ZM 2100 include il solo preamplificatore con selezione su 6 zone (nessun amplificatore).

Le unità ZM 2124 e ZM 2100 sono il cuore del sistema, hanno i connettori d'ingresso per le sorgenti audio e possono gestire la priorità ed i 2 "bus" (annunci / musica) del sistema verso le 6 zone.

Un sistema può includere solo una singola unità centrale (ZM 2124 oppure ZM 2100) per un semplice sistema con 6 zone.

Il modello ZM 2124 è per lo più indicato per sistemi piccoli, dove la potenza richiesta per ciascuna zona è limitata. Include un controllo del livello d'uscita per ciascuna delle 6 zone, le cui uscite sono collegate all'amplificatore interno comune. Un amplificatore esterno addizionale è necessario per mantenere la musica di sottofondo nelle zone non selezionate durante un annuncio microfonico.

Il modello ZM 2100 consente di collegare uno o due amplificatori esterni (il secondo serve per mantenere la musica di sottofondo nelle zone non selezionate durante un annuncio microfonico) per servire tutte le 6 zone oppure di utilizzare uno o più amplificatori per ciascuna zona.

Fino ad 8 unità di espansione ZE 2200 (ciascuna avente 6 zone) possono essere aggiunte in modo da incrementare le zone del sistema fino ad un massimo di 54. Ogni ZE 2200 offre la possibilità di collegare ed utilizzare un riproduttore musicale locale (es. lettore CD, MP3, ecc.) oppure di lasciare il programma musicale condiviso dell'unità centrale ZM 2124 / ZM 2100.

Tutte le unità centrali ZM 2124 / ZM 2100 e le espansioni ZE 2200 sono basate su un'architettura a doppio "bus", dove il primo "bus" è dedicato agli annunci selettivi / generali, mentre il secondo serve per la distribuzione del programma musicale (od altri segnali).

Tutte le unità hanno dei selettori per attivare o disattivare il secondo "bus" (musica) in ciascuna zona e degli ingressi (GPI) e uscite (GPO) logici per interfacciare il sistema con altri dispositivi.

Le unità centrali ZM 2124 e ZM 2100 hanno i seguenti ingressi:

- 2 MIC e 2 MIC / LINE (con priorità configurabile tra loro);
- 2 AUX locali (più uno tramite controllo remoto RC 2946) selezionabili sul "bus" musica;
- 1 AUX prioritario sugli altri 2;
- un ingresso dedicato per una linea composta da massimo 6 basi microfoniche BM 2006;
- un ingresso audio d'emergenza.

Gli ingressi da 1 a 4 e quelli AUX hanno i controlli di livello e di tono sul pannello frontale. Gli annunci possono essere preceduti da un tono di preavviso selezionabile.

Tutte le unità centrali ZM 2124 / ZM 2100 e le espansioni ZE 2200 possono essere alimentate sia da rete elettrica (115 / 230 V) sia a 24 V c.c.; tutte sono fornite con le alette laterali per l'installazione in armadi rack da 19": 3 unità per ZM 2124 / ZM 2100, 1 unità per ZE 2200.

Il sistema ha una sua base microfonica dedicata: BM 2006, con 6 tasti per la selezione delle zone più quello per la chiamata generale e l'inserimento del microfono; fino a sei BM 2006 possono essere collegate in cascata ad un'unità centrale.

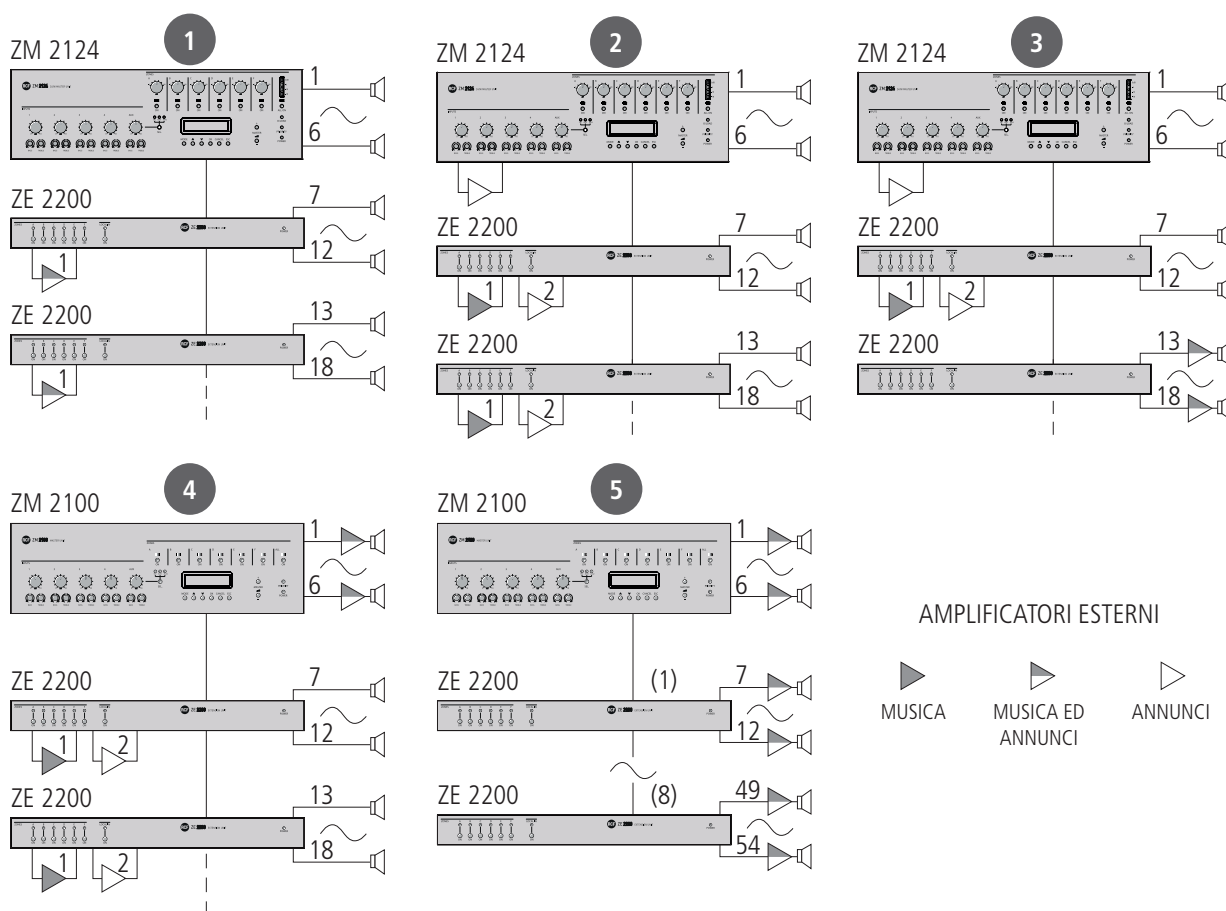
È possibile collegare fino a 4 tastiere aggiuntive BE 2012 (ciascuna con 12 tasti zona) ad ogni base microfonica BM 2006 (in modo da ottenere la selezione massima di 54 zone). Una o più tastiere BE 2012 sono di fatto necessarie quando si utilizzano le unità di espansione BE 2012.

All'ingresso MIC 1, si può collegare una o più basi microfoniche BM 3022 (alla stessa linea) per annunci generali d'emergenza.

Tutti i collegamenti delle basi microfiche sono effettuati tramite cavo CAT5 FTP.

RC 2946 è un controllo remoto (installabile a parete) per la selezione degli ingressi AUX e l'attivazione del "bus" musica in ciascuna zona.

ESEMPI DI SISTEMI ZM 2000 (CON UNITÀ ZE 2200)



1 L'unità centrale ZM 2124 è impostata nella modalità SINGLE AMP (amplificatore singolo).

Ogni gruppo di 6 zone è servito solo da un singolo amplificatore, pertanto:

- durante un annuncio, la musica non è mantenuta nelle zone non selezionate;
- la potenza massima totale di ciascun gruppo di 6 zone è 240 W.

2 L'unità centrale ZM 2124 è impostata nella modalità DUAL AMP (doppio amplificatore) e necessita di un amplificatore esterno aggiuntivo.

Ogni gruppo di 6 zone è servito da due amplificatori, pertanto:

- durante un annuncio, la musica è mantenuta nelle zone non selezionate;
- la potenza massima totale di ciascun gruppo di 6 zone è 240 W.

3 Come per l'esempio nr.2, ma ogni zona da 13 a 18 può avere uno o più amplificatori dedicati (la rispettiva unità ZE 2200 è cablata per la "Commutazione delle zone con segnali a 0 dB").

L'unità centrale ZM 2124 deve essere impostata nella modalità DUAL AMP (doppio amplificatore).

4 L'unità centrale ZM 2100 è impostata nella modalità DUAL AMP (doppio amplificatore) e cablata per la "Commutazione delle zone con segnali a 0 dB", quindi ogni zona da 1 a 6 può avere uno o più amplificatori dedicati.

Ogni unità ZE 2200 è collegata a due amplificatori, pertanto la potenza massima per ciascun gruppo di 6 zone di ogni ZE 2200 è 240 W.

Durante un annuncio, la musica è mantenuta nelle zone non selezionate.

5 L'unità centrale ZM 2100 e tutte le 8 unità ZE 2200 sono cablate per la "Commutazione delle zone con segnali a 0 dB", quindi ognuna delle 54 zone (limite massimo) hanno uno o più amplificatori dedicati.

L'unità centrale ZM 2100 deve essere impostata nella modalità DUAL AMP (doppio amplificatore).

Ovviamente, durante un annuncio la musica è mantenuta nelle zone non selezionate.

INSTALLAZIONE IN RACK 19"



Le unità ZE 2200 possono essere installate in rack da 19" fissando (tramite viti) le alette laterali a corredo.

ZE 2200 – PANNELLO FRONTALE



1 Tasti ON per l'attivazione delle zone (da A a F)

Premere uno o più tasti per attivare o disattivare il "bus" della musica nelle rispettive zone.

2 Indicatori di zona attivata (da A a F)

Ogni LED è acceso fisso quando la sua rispettiva zona è selezionata (o lampeggiante durante un annuncio microfonico).

3 Tasto ON per l'attivazione dell'ingresso audio AUX INPUT locale

Premere per attivare / disattivare l'ingresso audio locale AUX INPUT 15.

Il suo segnale è inviato solo al "bus" della musica della stessa unità ZE 2200.

QUANDO È ATTIVATO, L'INGRESSO AUDIO LOCALE AUX INPUT HA LA PRIORITÀ SUL SEGNALE DELLA MUSICA DI SOTTOFONDO PROVENIENTE DALL'UNITÀ CENTRALE ZM 2124 / ZM 2100.



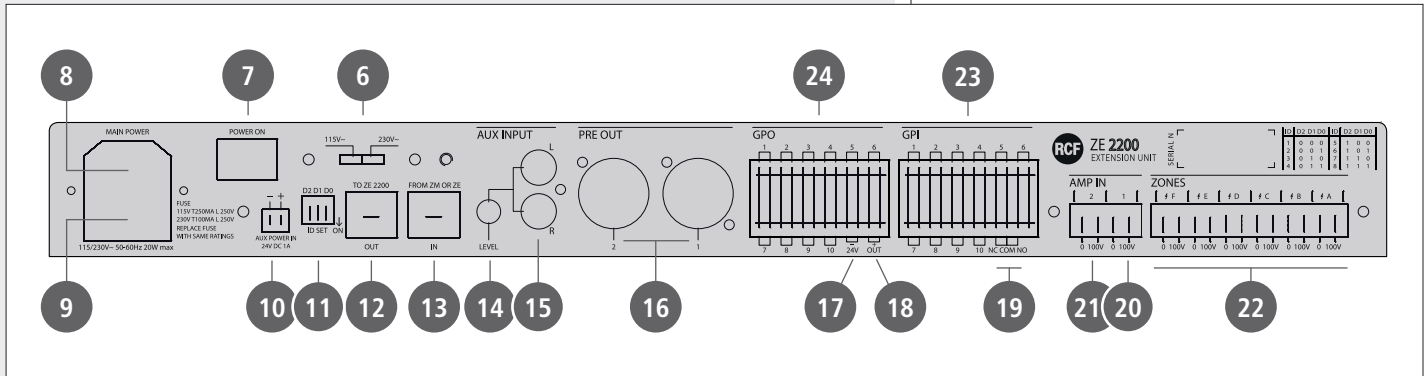
4 LED LOCAL IN

LED acceso: l'ingresso audio locale AUX INPUT è stato attivato.

5 LED POWER

LED acceso: l'unità ZE 2200 è accesa e funzionante.

ZE 2200 – PANNELLO POSTERIORE



6 Selettore della tensione di rete (115 – 230 V c.a.)

ATTENZIONE: prima di alimentare l'apparecchio, assicurarsi che la tensione selezionata corrisponda a quella di rete.

7 Interruttore principale **POWER ON** (0 = spento, I = acceso)

8 Ingresso per il cavo d'alimentazione da rete elettrica.

9 Fusibile di protezione (alimentazione da rete)

Utilizzare sempre il tipo di fusibile specificato sotto l'ingresso per il cavo d'alimentazione.

10 Ingresso alimentazione **DC 24 V** (connettore removibile)

Ingresso per alimentazione secondaria a 24 V c.c. (es. batterie) per il funzionamento dell'unità centrale nel caso che l'alimentazione principale da rete non sia al momento disponibile.

Controllare attentamente la polarità + / – dei collegamenti.

11 **Microinterruttori (dip-switch) ID SET**

Impostazione dell'indirizzo digitale dell'unità ZE 2200.

Ogni unità ZE 2200 deve avere un suo unico indirizzo impostato secondo la seguente tabella:

ID (indirizzo)	ZONE	Dip-switch D2	Dip-switch D1	Dip-switch D0
1	7 ÷ 12	off	off	off
2	13 ÷ 18	off	off	ON
3	19 ÷ 24	off	ON	off
4	25 ÷ 30	off	ON	ON
5	31 ÷ 36	ON	off	off
6	37 ÷ 42	ON	off	ON
7	43 ÷ 48	ON	ON	off
8	49 ÷ 54	ON	ON	ON



12 TO ZE 2200 (OUT)

Porta RJ 45 utilizzabile solo per collegare l'unità d'espansione ZE 2200 successiva.

13 FROM ZM OR ZE (IN)

Porta RJ 45 utilizzabile solo per collegare l'unità centrale ZM 2124 / ZM 2100 oppure quella d'espansione ZE 2200 precedente.

14 Livello dell'ingresso audio locale AUX INPUT LEVEL

Ruotarlo in senso orario per incrementare il livello od in senso antiorario per diminuirlo.

15 Ingresso locale ausiliario AUX INPUT (doppio connettore RCA, sbilanciato)

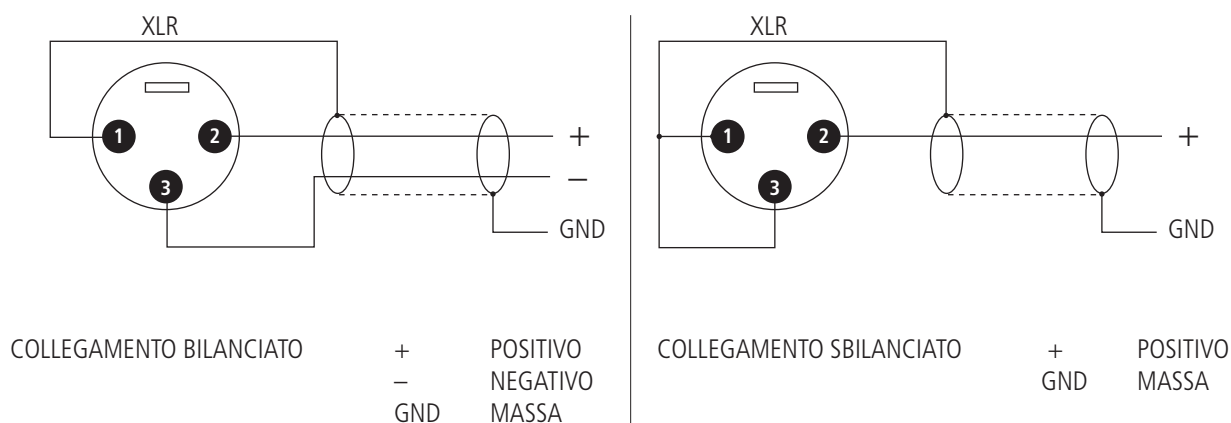
I DUE CANALI DEL SEGNALE STEREO PRESENTE ALL'INGRESSO LOCALE AUX INPUT SONO SOMMATI IN MONO.

16 PRE OUT

Uscite bilanciate (0 dB, con connettori XLR) dei segnali audio provenienti dal preamplificatore dell'unità centrale ZM 2124 / ZM 2100 (o dell'ingresso locale AUX INPUT).



USCITA BILANCIATA (0 dB) DEL PREAMPLIFICATORE INTERNO



Nella **modalità con singolo amplificatore** (impostata tramite un dip-switch dell'unità centrale ZM 2124 / ZM 2100), collegare l'uscita 1 all'ingresso dell'amplificatore esterno (utilizzato sia per gli annunci sia per la musica).

Nella **modalità con doppio amplificatore** (impostata tramite un dip-switch dell'unità centrale ZM 2124 / ZM 2100), collegare l'uscita 1 all'ingresso del primo amplificatore esterno usato per la musica di sottofondo e l'uscita 2 all'ingresso del secondo usato per gli annunci.

Se si utilizzano **uno o più amplificatori esterni per ogni zona**, collegare l'uscita 1 direttamente ad AMP IN 1 **20** e l'uscita 2 ad AMP IN 2 **21** (vedere la sezione del manuale "**Commutazione delle zone con segnali a 0 dB**").

17 18 Uscita **24 V OUT** (connettore removibile)

Uscita 24 V c.c. disponibile per l'attivazione degli ingressi logici GPI e l'alimentazione di controlli esterni (I max: 800 mA).

2 contatti sono terminali negativi " - " **17**, 2 sono terminali positivi " + " **18**.

19 NC – COM – NO (connettore removibile)

Contatto pulito di un relè interno che si eccita quando un annuncio da base microfonica è in corso.

INDICAZIONI:

NC	NORMALMENTE CHIUSO
COM	COMUNE
NO	NORMALMENTE APERTO

20 Ingresso per linea 100 V AMP IN 1 (connettore removibile)

Ingresso per la connessione dell'uscita 100 V del primo amplificatore esterno (quando tutte le zone sono servite solo da uno o due amplificatori, nel secondo caso uno per gli annunci microfonici ed uno per la musica di sottofondo).

Se l'unità centrale ZM 2124 / ZM 2100 è impostata nella modalità "singolo amplificatore" (tramite il rispettivo dip-switch), l'amplificatore esterno è usato sia per gli annunci sia per la musica di sottofondo.

Se l'unità centrale ZM 2124 / ZM 2100 è impostata nella modalità "doppio amplificatore", il primo amplificatore esterno è usato solo per la musica di sottofondo.

IL PRIMO AMPLIFICATORE ESTERNO DEVE AVERE POTENZA SUFFICIENTE (MASSIMA: 240 W) PER TUTTI I DIFFUSORI ACUSTICI COLLEGATI ALLE ZONE DELL'UNITÀ ZE 2200.

Nel caso si utilizzi un amplificatore esterno per ogni zona, collegare l'uscita PRE OUT 1 **16** direttamente all'ingresso AMP IN 1 **20** (vedere la sezione successiva del manuale "Commutazione delle zone con segnali a 0 dB"); tutti gli ingressi degli amplificatori esterni si collegano alle uscite per diffusori acustici **22** (qui usate come sei uscite audio a 0 dB, una per zona).

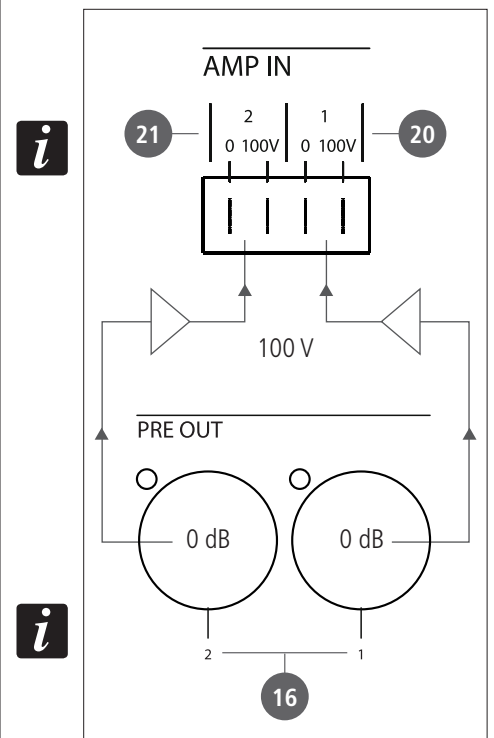
21 Ingresso per linea 100 V AMP IN 2 (connettore removibile)

Ingresso per la connessione dell'uscita 100 V del secondo amplificatore esterno (quando tutte le zone sono servite solo da due amplificatori, uno per gli annunci ed uno per la musica).

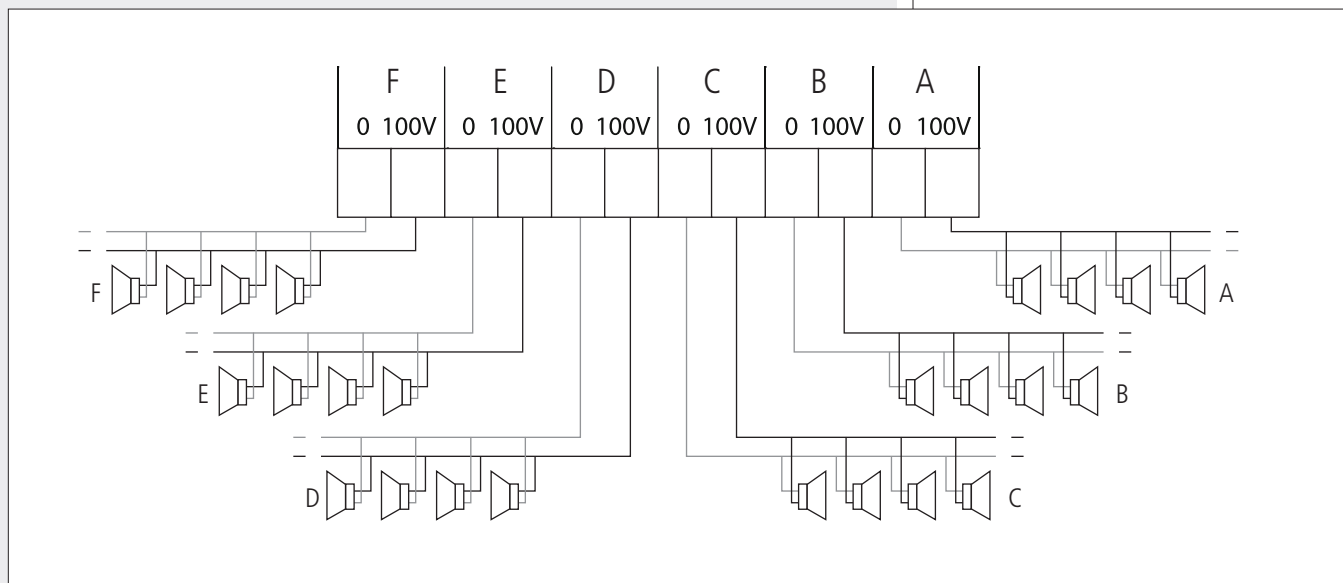
Il secondo amplificatore esterno è usato solo per gli annunci.

IL SECONDO AMPLIFICATORE ESTERNO DEVE AVERE POTENZA SUFFICIENTE (MASSIMA: 240 W) PER TUTTI I DIFFUSORI ACUSTICI COLLEGATI ALLE ZONE DELL'UNITÀ ZE 2200.

Nel caso si utilizzi un amplificatore esterno per ogni zona, collegare l'uscita PRE OUT 2 **16** direttamente all'ingresso AMP IN 2 **21** (vedere la sezione successiva del manuale "Commutazione delle zone con segnali a 0 dB"); tutti gli ingressi degli amplificatori esterni si collegano alle uscite per diffusori acustici **22** (qui usate come sei uscite audio a 0 dB, una per zona).



22 Uscite di zona **A ÷ F**, linee 100 V per diffusori acustici (connettore removibile)
 Sei uscite (linee 100 V, soggette alla commutazione delle zone) per diffusori acustici.
 Nelle configurazioni con uno o due amplificatori per tutte le zone, la potenza totale dei diffusori acustici (la somma di tutte le 6 zone) non deve eccedere i 240 W ed ognuno deve avere l'ingresso per linea 100 V.



Nota: QUANDO SI UTILIZZA UNO O PIÙ AMPLIFICATORI ESTERNI PER CIASCUNA ZONA, COLLEGARE OGNI INGRESSO DI UN AMPLIFICATORE ESTERNO ALLA RISPETTIVA USCITA DIFFUSORI DI ZONA, QUI USATA COME USCITA AUDIO 0 dB (VEDERE LA SEZIONE SUCCESSIVA DEL MANUALE "COMMUTAZIONE DELLE ZONE CON SEGNALI A 0 dB").

23 Ingressi logici **GPI** ("Generic Purpose Inputs", connettore removibile)

10 ingressi logici attivabili da comandi di altri dispositivi.

La loro funzione dipende dal modo selezionato nell'unità centrale ZM 2124 / ZM 2100:

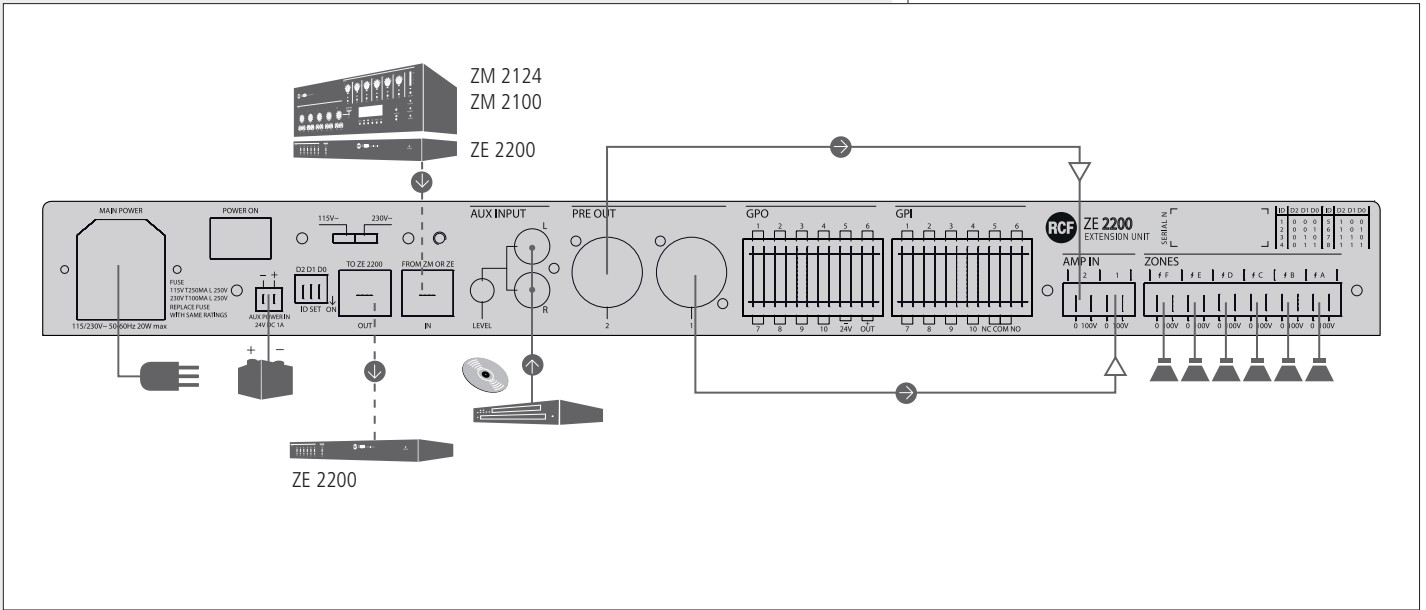
- **ZONE TRIGGER:** quando un ingresso logico (GPI) è collegato all'uscita 24 V OUT, la zona (il "bus" della musica) e l'uscita logica (GPO) aventi lo stesso numero sono attivate;
- **HIGH TRIGGER:** quando un ingresso logico (GPI) non è collegato all'uscita 24 V OUT, l'uscita logica (GPO) avente lo stesso numero è attivata;
- **LOW TRIGGER:** quando un ingresso logico (GPI) è collegato all'uscita 24 V OUT, l'uscita logica (GPO) avente lo stesso numero è attivata.

24 Uscite logiche **GPO** ("Generic Purpose Outputs", connettore removibile)

10 uscite logiche attive (i 2 contatti sono in cortocircuito) durante un annuncio verso le rispettive zone oppure a causa dell'attivazione di un ingresso logico GPI.

Ad esempio, durante un annuncio microfonico verso la zona 3, l'uscita logica GPO 3 è attiva.

ESEMPIO GENERICO DI COLLEGAMENTO CON DOPPIO AMPLIFICATORE



COMMUTAZIONE DELLE ZONE CON SEGNALI A 0 DB



Ogni unità d'espansione ZE 2200 permette di utilizzare uno o più amplificatori esterni per ciascuna delle 6 zone.

Tutti i relè interni dell'unità ZE 2200 sono (in questo caso) usati per commutare segnali audio ad alto livello (0 dB) invece di linee 100 V (in uscita da amplificatori).

L'unità centrale ZM 2124 / ZM 2100 deve essere impostata nella modalità "doppio amplificatore" tramite il rispettivo dip-switch.

COLLEGAMENTI

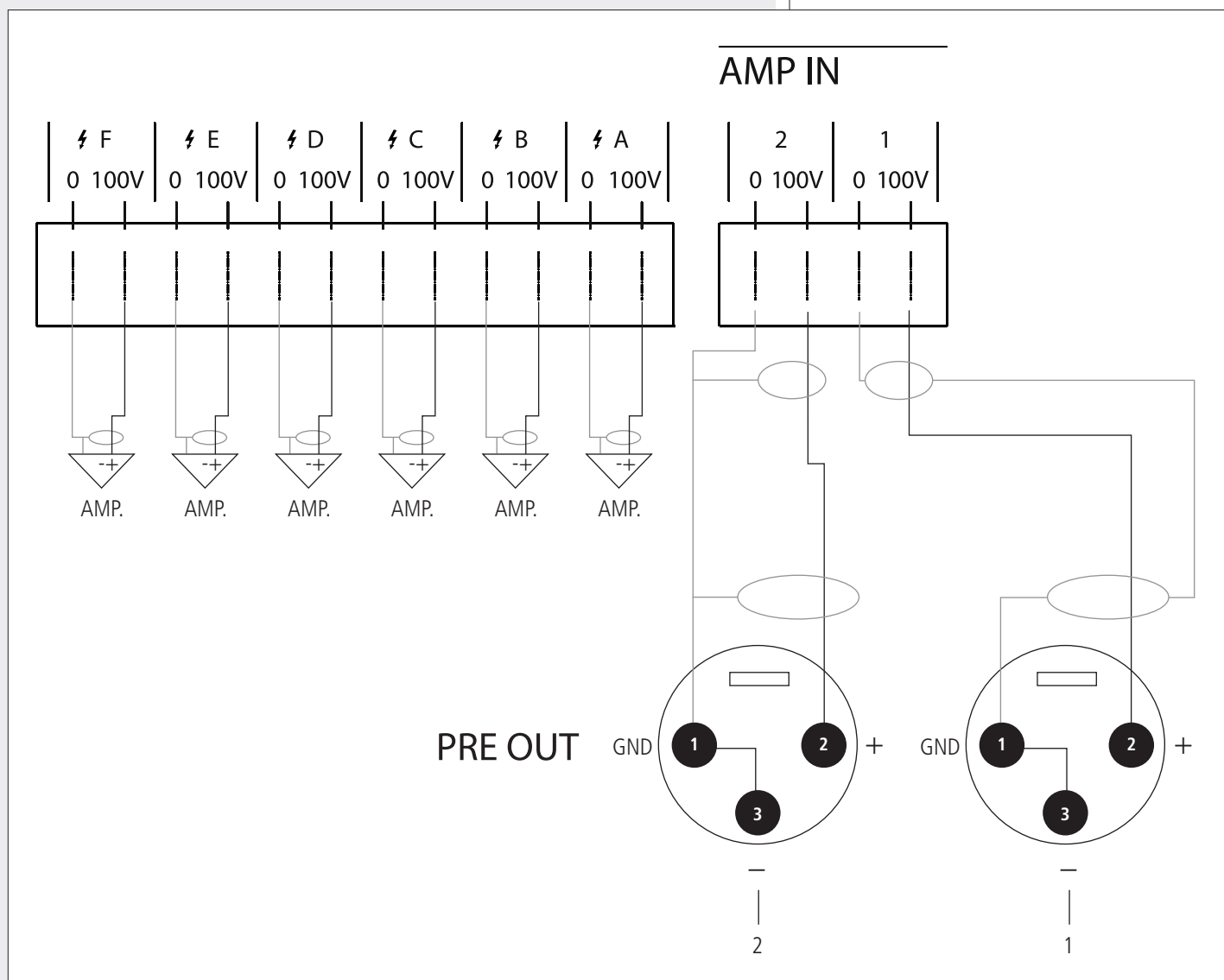
Collegare l'uscita **PRE OUT 1** 16 direttamente all'ingresso **AMP IN 1** 20 e l'uscita **PRE OUT 2** 16 all'ingresso **AMP IN 2** 21.

Collegare le uscite A ÷ F 22 agli ingressi degli amplificatori esterni.

NOTE:

- DEVONO ESSERE REALIZZATI CAVI APPOSITI;
- TUTTI I CONTATTI "100 V" DELL'UNITÀ ZE 2200 SONO QUI USATI PER I SEGNALI AUDIO;
- TUTTI I CONTATTI "0" DELL'UNITÀ ZE 2200 SONO QUI USATI PER LA MASSA.

VEDERE IL SEGUENTE SCHEMA MULTIFILARE:





	ZE 2200
SENSIBILITÀ INGRESSO AUX	1 V (+ 2 dBu)
RAPPORTO SEGNALE/RUMORE INGRESSO AUX	> 75 dB
RISPOSTA IN FREQUENZA INGRESSO AUX	50 Hz ÷ 20 kHz
IMPEDENZA INGRESSO AUX	10 kΩ (sbilanciato)
MAX. LIVELLO DELL'USCITA PRE OUT	1 V
MAX. POTENZA INGRESSO 100 V DA AMPLIFICATORE ESTERNO	240 W
ALIMENTAZIONE	115 V / 230 V c.a. (50-60 Hz), 24 V c.c.
MAX. CONSUMO DI POTENZA	15 W
CAMPO AMMESSO DI TEMPERATURA AMBIENTALE PER IL FUNZIONAMENTO	- 10 ÷ + 45 °C
DIMENSIONI (l, h, p)	438 mm, 44 mm, 222 mm (rack 19", 1 unità)
PESO NETTO	3,4 kg

Except possible errors and omissions.
RCF S.p.A. reserves the right to make modifications without prior notice.

Salvo eventuali errori ed omissioni.
RCF S.p.A. si riserva il diritto di apportare modifiche senza preavviso.

HEADQUARTERS:

RCF S.p.A. Italy
tel. +39 0522 274 411
e-mail: info@rcf.it

RCF UK
tel. 0844 745 1234
Int. +44 870 626 3142
e-mail: info@rcfaudio.co.uk

RCF France
tel. +33 1 49 01 02 31
e-mail: france@rcf.it

RCF Germany
tel. +49 2203 925370
e-mail: germany@rcf.it

RCF Spain
tel. +34 91 817 42 66
e-mail: info@rcfaudio.es

RCF Belgium
tel. +32 (0) 3 - 3268104
e-mail: belgium@rcf.it

RCF USA Inc.
tel. +1 (603) 926-4604
e-mail: info@rcf-usa.com



www.rcfaudio.com