

USER MANUAL MANUALE D'USO

ES 3323-II

- 3-ZONE MIXER-AMPLIFIER
WITH TUNER AND
CD/USB – MP3 PLAYER
- MIXER-AMPLIFICATORE CON
SELEZIONE DI 3 ZONE E
SINTONIZZATORE RADIO /
LETTORE CD/USB – MP3



TABLE OF CONTENTS INDICE



ENGLISH

SAFETY PRECAUTIONS	4
DESCRIPTION	6
FRONT PANEL	7
REAR PANEL	9
OPERATION MODES	14
SINGLE MODE OPERATION	14
PRIORITY	15
DUAL AMPLIFICATION 'A'	18
DUAL AMPLIFICATION 'B'	19
ADDITIONAL EXTERNAL AMPLIFIER CONNECTION	19
FURTHER INFORMATION	21
RCF BM 3001 / BM 3003 PAGING MICROPHONES	22
CD/USB – MP3/WMA PLAYER AND TUNER	23
LOUDSPEAKER CONNECTION	31
ZONE OUTPUT 100 V / 70 V (COMMON) VOLTAGE SELECTION	32
POWER SUPPLY VOLTAGE CHANGE	33
SPECIFICATIONS	34
EXAMPLES OF CONNECTIONS	36

ITALIANO

AVVERTENZE PER LA SICUREZZA	38
DESCRIZIONE	40
PANNELLO FRONTALE	41
PANNELLO POSTERIORE	43
MODALITÀ DI FUNZIONAMENTO	48
FUNZIONAMENTO IN MODALITÀ SINGOLA	48
PRIORITY	49
FUNZIONAMENTO CON DOPPIA AMPLIFICAZIONE ("A")	52
FUNZIONAMENTO CON DOPPIA AMPLIFICAZIONE ("B")	53
COLLEGAMENTO DELL'AMPLIFICATORE ESTERNO ADDIZIONALE	53
ULTERIORI INFORMAZIONI	55
BASI MICROFONICHE RCF BM 3001 E BM 3003	56
USO DEL LETTORE CD/USB – MP3/WMA E SINTONIZZATORE RADIO	57
COLLEGAMENTO DEI DIFFUSORI ACUSTICI	65
CAMBIO TENSIONE 100 V / 70 V (COMUNE) ALLE USCITE DI ZONE "ZONE OUTPUTS"	66
CAMBIO TENSIONE DI FUNZIONAMENTO DELL'APPARECCHIO	67
SPECIFICHE TECNICHE	68
ESEMPIO COLLEGAMENTI	70



Before connecting and using this product, please read this instruction manual carefully and keep it on hand for future reference. The manual is to be considered an integral part of this product and must accompany it when it changes ownership as a reference for correct installation and use as well as for the safety precautions.

RCF S.p.A. will not assume any responsibility for the incorrect installation and / or use of this product.

WARNING: To prevent the risk of fire or electric shock, never expose this product to rain or humidity.

SAFETY PRECAUTIONS

1. All the precautions, in particular the safety ones, must be read with special attention, as they provide important information.

2. POWER SUPPLY FROM MAINS

- The mains voltage is sufficiently high to involve a risk of electrocution: never install or connect this product when its power cable is plugged in.
- Before powering up, make sure that all the connections have been made correctly and the voltage of your mains corresponds to the voltage shown on the rating plate on the unit, if not, please contact your RCF dealer.
- The metallic parts of the unit are earthed by means of the power cable. An apparatus with CLASS I construction shall be connected to a mains socket outlet with a protective earthing connection.
- Protect the power cable from damage; make sure it is positioned in a way that it cannot be stepped on or crushed by objects.
- To prevent the risk of electric shock, never open the product: there are no parts inside that the user needs to access.

3. Make sure that no objects or liquids can get into this product, as this may cause a short circuit.

This apparatus shall not be exposed to dripping or splashing. No objects filled with liquid, such as vases, shall be placed on this apparatus. No naked sources (such as lighted candles) should be placed on this apparatus.


4. Never attempt to carry out any operations, modifications or repairs that are not expressly described in this manual.

Contact your authorized service centre or qualified personnel should any of the following occur:

- The product does not function (or functions in an anomalous way).
- The power supply cable has been damaged.
- Objects or liquids have got into the unit.
- The product has been subject to a heavy impact.

5. If this product is not used for a long period, disconnect the power cable.

6. If this product begins emitting any strange odours or smoke, switch it off immediately and disconnect the power supply cable.

7. The terminals marked with the symbol  are HAZARDOUS LIVE and their connection is to be made by an INSTRUCTED PERSON or the use of ready-made cables is required.

8. Do not connect this product to any equipment or accessories not foreseen.

For suspended installation, only use the dedicated anchoring points and do not try to hang this product by using elements that are unsuitable or not specific for this purpose.

IMPORTANT



WARNING



Also check the suitability of the support surface to which the product is anchored (wall, ceiling, structure, etc.), and the components used for attachment (screw anchors, screws, brackets not supplied by RCF etc.), which must guarantee the security of the system / installation over time, also considering, for example, the mechanical vibrations normally generated by transducers.

To prevent the risk of falling equipment, do not stack multiple units of this product unless this possibility is specified in the user manual.

9. RCF S.p.A. strongly recommends this product is only installed by professional qualified installers (or specialised firms) who can ensure correct installation and certify it according to the regulations in force.

The entire audio system must comply with the current standards and regulations regarding electrical systems.

10. SUPPORTS AND TROLLEYS

The equipment should be only used on trolleys or supports, where necessary, that are recommended by the manufacturer. The equipment / support / trolley assembly must be moved with extreme caution. Sudden stops, excessive pushing force and uneven floors may cause the assembly to overturn.

11. There are numerous mechanical and electrical factors to be considered when installing a professional audio system (in addition to those which are strictly acoustic, such as sound pressure, angles of coverage, frequency response, etc.).

12. HEARING LOSS

Exposure to high sound levels can cause permanent hearing loss. The acoustic pressure level that leads to hearing loss is different from person to person and depends on the duration of exposure. To prevent potentially dangerous exposure to high levels of acoustic pressure, anyone who is exposed to these levels should use adequate protection devices. When a transducer capable of producing high sound levels is being used, it is therefore necessary to wear ear plugs or protective earphones.

See the technical specifications in loudspeaker instruction manuals to know their maximum sound pressure levels.

IMPORTANT NOTES



To prevent the occurrence of noise on microphone / line signal cables, use screened cables only and avoid putting them close to:

- Equipment that produces high-intensity electromagnetic fields (for example, high power transformers)
- Mains cables
- Loudspeaker lines.

OPERATING PRECAUTIONS



- Do not obstruct the ventilation grilles of the unit. Situate this product far from any heat sources and always ensure adequate air circulation around the ventilation grilles.
- Do not overload this product for a long time.
- Never force the control elements (keys, knobs, etc.).
- Do not use solvents, alcohol, benzene or other volatile substances for cleaning the external parts of this product.

**CLASS 1
LASER PRODUCT**

RCF S.P.A. THANKS YOU FOR PURCHASING THIS PRODUCT, WHICH HAS BEEN MADE TO GUARANTEE RELIABILITY AND HIGH PERFORMANCE.

DESCRIPTION



ES 3323-II is a mixer-amplifier with 4 mic-line inputs on removable connectors (the first input also has an XLR socket), a CD/USB – MP3/WMA player and tuner, 2 aux inputs (one on the rear panel with dual RCA connector, one on the front panel with 1/8" jack) for additional external music sources.

The amplifier nominal power (320 W) is freely allocable to three 100 – 70 V separated outputs (3-system zones, for loudspeakers having 100 – 70 V transformers). A common direct output on 100 – 70 V constant voltage line and a low impedance (min. 4 Ω) 2 W output for a monitor loudspeaker are available.

As (optional) system expansion, it is possible to link a second generic external amplifier (delivering enough power for all loudspeakers, i.e. RCF UP 2321) to keep the background music in the zones that are not paged.

When the external amplifier is foreseen, it is possible to send the music signal to either the ES 3323 internal amplifier or the external one.

The 3 PAGING buttons on the front panel can be used to select zones to be paged by either the channel 1 or 4; a GENERAL call button is available as well. When connecting an additional external amplifier and with no priority event in progress, the 3 PAGING buttons (if turned on) send the mix of channels 1 ÷ 4 to the respective zones.

The 3 MUSIC buttons turn the music on (or send the mix of all inputs, when no priority event in progress and ES 3323 is operating as a single stand-alone amplifier) in the respective zones.

The input 1 has a signal detection circuit ('VOX') providing automatic priority operation.

All the inputs 1, 2, 3 and 4 can get the priority through an external command (connected to the removable connector). The inputs 2 and 3 also have an RJ 45 socket for quick connection (through CAT5 cable) of either a RCF BM 3001 or BM 3003 paging microphone or a line (daisy-chain) of BM 3003 (made of max. 12 microphones, by using an additional power supply unit).

A USB port (on the front panel) allows connection of a USB flash drive containing MP3 / WMA files.

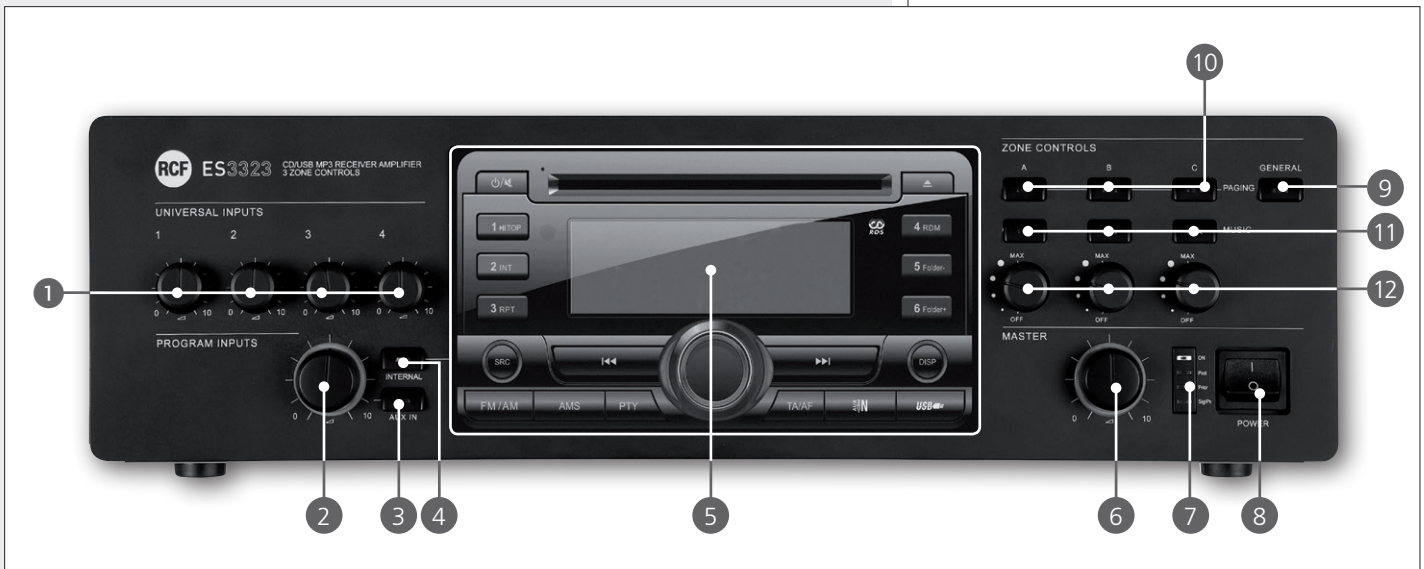
It is also possible to match a 'Bluetooth' device (e.g. a mobile phone) to the player.

Aux outputs are available to send the internal / external music source signals to additional amplifiers, mixers, phone systems ('music on hold' function), etc. .

The 4 mic.-line inputs have a common 'presence' control and separate high-pass filters that are useful for improving speech intelligibility.

Both the internal music source (CD/USB – MP3/WMA player and tuner) and the rear panel AUX INPUT have separate tone controls.

Front panel LED's indicate the device state (ON, PROT), the priority activation (PRIOR) and the signal level (SIG/PK).



IMPORTANT: after pressing a button (AUX IN 3, INTERNAL 4, GENERAL 9, PAGING 10, MUSIC 11), the implementation of the new configuration will take about 10 seconds.

1 Volume controls for each universal input (1, 2, 3, 4)

NOTE: UNUSED CHANNELS SHOULD ALWAYS BE TURNED FULLY COUNTERCLOCKWISE (TO 0).

2 AUX INPUT 21 volume control

NOTE: TURN FULLY COUNTERCLOCKWISE (TO 0) IF THE AUX INPUT IS NOT USED.

3 AUX IN button (with LED)

It turns on (LED is lit) / off the AUX INPUT 21 to the internal amplifier and the PRE OUT 23 and MUSIC OUT 26 audio outputs.

If activated, the CD/USB – MP3 player / tuner signal is not sent to the internal amplifier (the INTERNAL 4 button LED turns off).

THE AUX INPUT SIGNAL IS ALWAYS SENT TO THE MUSIC ON HOLD 24 OUTPUT (THAT IS NOT AFFECTED BY THE AUX IN BUTTON).

4 INTERNAL button (with LED)

It turns on (LED is lit) / off the CD/USB – MP3 / tuner to the internal amplifier and the PRE OUT 23 and MUSIC OUT 26 audio outputs.

If activated, the AUX INPUT signal is not sent to the internal amplifier (the AUX IN button LED turns off).

THE CD/USB MP3 PLAYER / TUNER SIGNAL IS ALWAYS SENT TO THE INTERNAL PROGRAM 22 OUTPUT (THAT IS NOT AFFECTED BY THE INTERNAL 4 BUTTON).

IT TAKES 10 SECONDS (AFTER PRESSING EITHER THE AUX IN OR INTERNAL BUTTON) TO STORE THE LAST SELECTION.

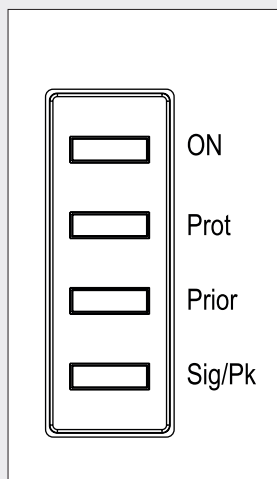
5 CD/USB – MP3 player and tuner (read the relevant manual section).

6 Internal amplifier MASTER volume control

NOTE: ALL AUDIO OUTPUTS VIA RCA CONNECTORS (INTERNAL PROGRAM, MUSIC ON HOLD, PRE OUT, MUSIC OUT, PAGING OUT) ARE NOT AFFECTED BY THE MASTER VOLUME CONTROL.



7 LEDs



ON green: the device is switched on

PROT red: overload protection
orange: thermal protection

PRIOR yellow: priority event in progress (VOX function, command, SEQ. COMMAND.)

SIG/PK green:
the signal level is higher than -15 dB
green + red:
the signal level is in the $0 \div +2$ dB range
red: the signal level is equal or higher than $+3$ dB

0 dB = SIGNAL LEVEL THAT ALLOWS TO GET THE AMPLIFIER MAXIMUM POWER.

THE INTERNAL 'LIMITER' CIRCUIT HELPS TO AVOID THE AMPLIFIER OVERLOADING, YET IT IS ADVISABLE TO REDUCE THE MASTER VOLUME (OR A SINGLE CHANNEL VOLUME WHERE A 'TOO HIGH' SIGNAL IS PRESENT) WHEN THE SIG/PK LED IS CONTINUOUSLY INDICATING RED.

8 Main POWER switch (0 = off; I = on)

9 GENERAL button

If activated, it preconfigures general paging (to all the 3 zones) with the 'override' function.

'OVERRIDE' MEANS THAT AUDIO SIGNALS ARE SENT WITHOUT BEING AFFECTED BY THE 3 ZONE ATTENUATORS

12 .

10 PAGING buttons (one per each zone)

If activated, each button preconfigures its respective zone (for either the input 1 or 4 only) to be paged.

When ES 3323 is operating in the dual amplifier mode and with no priority event in progress, the 3 PAGING buttons send the mix of inputs 1, 2, 3, 4 to their respective zones.

11 MUSIC buttons (one per each zone)

If activated, each button sends either the music (internal player / AUX INPUT) or the mix of all inputs (when no priority event is in progress and ES 3323 is operating in the single amplifier mode) to its respective zone.

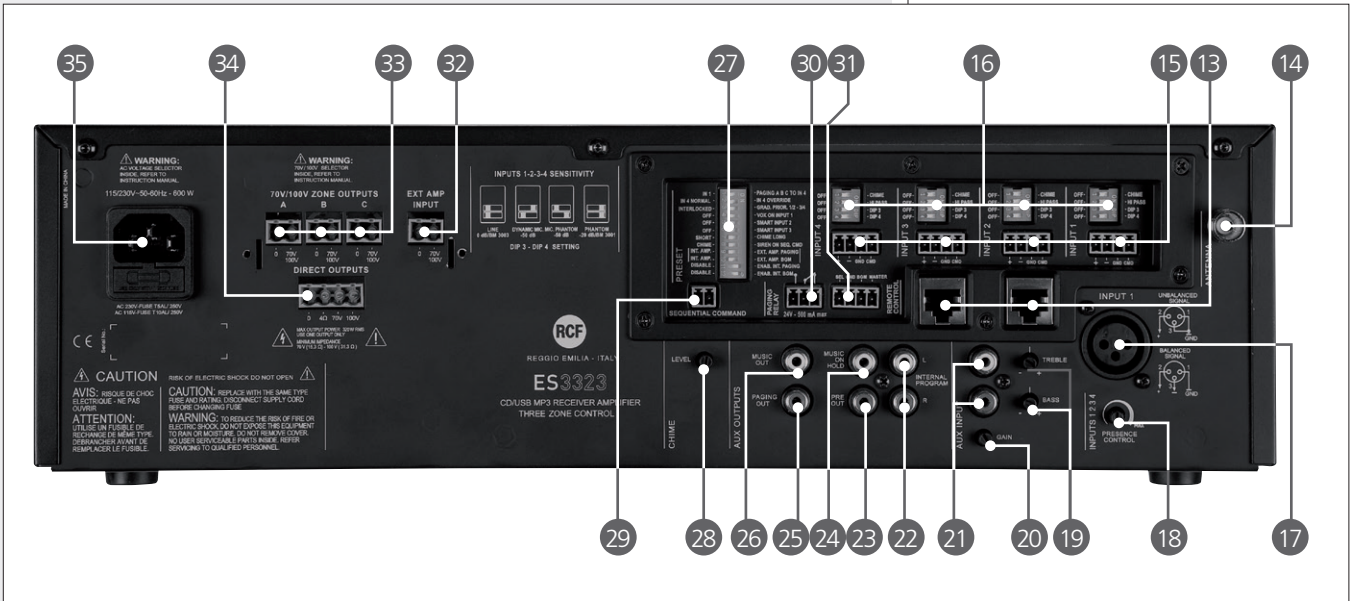
12 Zone attenuators (one per each zone)

Each attenuator (5 positions + off) controls the output power in its respective zone separate loudspeaker output (70 V / 100 V ZONE OUTPUTS 33).

THE 3 ATTENUATORS DO NOT CONTROL THE OUTPUT POWER OF THE COMMON DIRECT OUTPUTS 34.

PRIORITY EVENTS WITH 'OVERRIDE' (E.G. AN IMPORTANT ANNOUNCEMENT THAT NEEDS TO BE SENT AT ITS MAX. VOLUME LEVEL, EVEN IN ZONES WHERE THE OUTPUT POWER IS REDUCED BY ATTENUATORS) ARE ALWAYS SENT WITH THEIR MAX. (AVAILABLE) VOLUME, REGARDLESS OF THE ATTENUATOR SETTINGS.





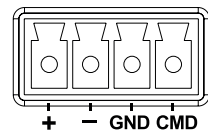
- 13 2 RJ 45 sockets (channels 2 and 3) to connect either:
- A single BM 3001 paging microphone only
 - Or a single BM 3003 (3-zone) paging microphone
 - Or a daisy-chain made of max. 12 BM 3003, by using an additional power supply unit.

NOTE ABOUT THE SETTING OF THE DIP-SWITCHES 3 AND 4 (SEE R): WHEN CONNECTING A BM 3001, SET THE 'LINE WITH PHANTOM' MODE (BOTH DIP 3 AND 4 ON); WHEN CONNECTING 1 OR MORE BM 3003, SET THE 'LINE' MODE (BOTH DIP 3 AND 4 OFF).



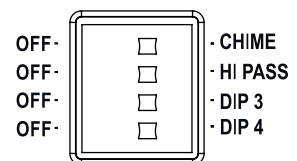
- 14 Antenna input (the antenna is necessary when using the tuner).
- 15 4 balanced audio inputs (channels 1, 2, 3, 4) with sockets for removable connectors.

- + Hot audio input
- Cold audio input
- GND ground
- CMD command – priority access when connected to ground



16 Each channel has 4 dip-switches:

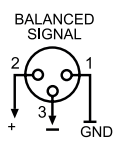
1	OFF – CHIME	OFF: the chime is disabled.	CHIME: (ON) the chime will be played as soon as a priority command is activated.
2	OFF – HI PASS	OFF: the audio hi-pass filter is not inserted (flat frequency response).	HI PASS: (ON) the audio hi-pass filter is inserted.
3	OFF – DIP 3	OFF: see the next table.	DIP 3: (ON) see the next table.
4	OFF – DIP 4	OFF: see the next table.	DIP 4: (ON) see the next table.



Dip-switch 3 and 4 settings:

DIP 3	DIP 4	MODE	INPUT SENSITIVITY	USE (EXAMPLES)
OFF	OFF	LINE	0 dBu	BM 3003 paging microphones, CD/MP3 players, tuners, message players, phone systems
ON	ON	LINE with PHANTOM	- 20 dBu	BM 3001 paging microphones
ON	OFF	MIC.	- 50 dBu	Dynamic microphones
OFF	ON	MIC. with PHANTOM	- 50 dBu	Electret microphones

17 Channel no.1 XLR input:

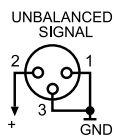


Balanced connection

+ hot

- cold

GND ground



Unbalanced connection

18 PRESENCE CONTROL ($f = 2.15$ kHz) common for all the channels 1, 2, 3, 4.

19 AUX INPUT TREBLE and BASS controls.

20 AUX INPUT GAIN control.

21 AUX INPUT with dual RCA connector.

THE TWO CHANNELS OF THE STEREO SOURCE CONNECTED TO THE AUX INPUT ARE SUMMED INTERNALLY (TO GET A MONO SIGNAL).

22 INTERNAL PROGRAM stereo audio output with dual RCA connector (L: left channel, R: right channel) that sends the direct CD/USB – MP3 player and tuner signal.

23 PRE OUT audio output (with RCA connector) that sends the same signal routed to the internal amplifier (signal that can be either a single source with priority or the mix of all the channels 1, 2, 3, 4 and the selected music source).

THE OUTPUT PRE OUT MAY BE USEFUL TO CONNECT ADDITIONAL EXTERNAL AMPLIFIERS.

24 MUSIC ON HOLD audio output (with RCA connector) that sends a mono signal of the source connected to the AUX INPUT.

EITHER THE MUSIC ON HOLD OUTPUT (IF AN EXTERNAL MUSIC SOURCE HAS BEEN CONNECTED TO THE AUX INPUT) OR THE INTERNAL PROGRAM OUTPUT CAN BE USED FOR THE CONNECTION TO A TELEPHONE SYSTEM (IN ORDER TO HAVE THE 'MUSIC ON HOLD' FUNCTION).



25 PAGING OUT audio output (with RCA connector)

It sends either the mix of the channels 1, 2, 3, 4 (with no priority events in progress) or the only input (1 ÷ 4) with priority or the chime (triggered by any priority command, if enabled) or the tone set for the SEQUENTIAL COMMAND **29**.

Use this output to connect the additional amplifier (if this is assigned for paging and/or the mix of inputs 1÷4).

The MASTER **6** volume and the remote one (if connected to REMOTE CONTROL MASTER **31**) do not affect this output.

INPUT 1 ÷ 4 SIGNAL LEVELS DEPEND ON THE RESPECTIVE CHANNEL VOLUMES **1**, THE CHIME LEVEL DEPENDS ON THE CHIME LEVEL **28** CONTROL ON THE REAR PANEL; THE SIREN LEVEL IS FIXED.



26 MUSIC OUT audio output (with RCA connector)

It sends the audio signal of the selected music source (internal CD/USB – MP3 player and tuner, AUX INPUT **21**, off).

The level depends on both the internal player/ tuner (or the AUX **2** volume and its respective GAIN **20** control on the rear panel when selecting the AUX INPUT) and the remote control potentiometer (if connected to REMOTE CONTROL BGM **31**).

Use this output to connect the additional amplifier (if this is assigned for the music).

27 12 dip-switches PRESET (system / priority options):

1.	IN 1 – PAGING A B C TO IN 4	IN 1: the 3 PAGING zone selection buttons (on the front panel) are assigned to the channel 1.	PAGING A B C TO IN 4: the 3 PAGING zone selection buttons (on the front panel) are assigned to the channel 4.
2.	IN 4 NORMAL – IN 4 OVERRIDE	IN 4 NORMAL: the channel 4 volume is affected by the attenuators 12 during its priority.	IN 4 OVERRIDE: the channel 4 volume is not affected by the attenuators 12 during its priority.
3.	INTERLOCKED – GRAD. PRIOR. 1/2-3/4	INTERLOCKED: interlocked priority mode	GRADUATED PRIORITY 1/2–3/4: graduated priority mode
4.	OFF – VOX ON INPUT 1	OFF: the channel 1 VOX function is off.	VOX ON INPUT 1: the channel 1 VOX function is on (automatic priority when a signal is detected on the audio INPUT 1).
5.	OFF – SMART INPUT 2	OFF: the channel 2 priority is held only if the relevant command is still present ('push' mode). NOTE: SET TO OFF IF 1 OR MORE BM 3003 PAGING MICROPHONES ARE CONNECTED TO THE INPUT 2.	SMART INPUT 2: the channel 2 priority is switched on / off by every impulse of the relevant command ('toggle' mode).
6.	OFF – SMART INPUT 3	OFF: the channel 3 priority is held only if the relevant command is still present ('push' mode). NOTE: SET TO OFF IF 1 OR MORE BM 3003 PAGING MICROPHONES ARE CONNECTED TO THE INPUT 3.	SMART INPUT 3: the channel 3 priority is switched on / off by every impulse of the relevant command ('toggle' mode).

7.	SHORT – CHIME LONG	SHORT: short chime.	CHIME LONG: long chime.
8.	CHIME – SIREN ON SEQ. CMD	CHIME: the chime (selected by the dip-switch no.7) is continuously played when the 'SEQUENTIAL COMMAND' is triggered.	SIREN ON SEQ.CMD: an alarm tone is continuously played when the 'SEQUENTIAL COMMAND' is triggered.
9.	INT. AMP. – EXT. AMP. PAGING	See the next table (dip-switches 9 and 10) INT. AMP.: dip-switch 9 OFF	See the next table (dip-switches 9 and 10) EXT. AMP. PAGING: dip-switch 9 ON
10.	INT. AMP. – EXT. AMP. BGM	See the next table (dip-switches 9 and 10) INT. AMP.: dip-switch 10 OFF	See the next table (dip-switches 9 and 10) EXT. AMP. BGM: dip-switch 10 ON
11.	DISABLE – ENAB. INT. PAGING	DISABLE: (OFF) it mutes the input 1÷4 signals, the chime and the siren to the internal amplifier.	ENAB. INT. PAGING: (ON) it enables the input 1÷4 signals, the chime and the siren to the internal amplifier.
12.	DISABLE – ENAB. INT. BGM	DISABLE: (OFF) it mutes the selected music source to the internal amplifier.	ENAB. INT. BGM: (ON) it enables the selected music source to the internal amplifier.

DIP 9	DIP 10	OPERATION MODE
OFF	OFF	ES 3323 operates as a single amplifier for both paging and music.
ON	OFF	Dual amplification: ES 3323 for music, the additional external amplifier for paging.
OFF	ON	Dual amplification: ES 3323 for paging, the additional external amplifier for music.
ON	ON	ES 3323 operates as a single amplifier for both paging and music.

DIP-SWITCH 11 and 12 SETTING	DIP 11	DIP 12
No additional external amplifier (ES 3323 operates as a single amplifier).	ON	ON
Dual amplification: ES 3323 for music, the additional external amplifier for paging.	OFF	ON
Dual amplification: ES 3323 for paging, the additional external amplifier for music.	ON	OFF

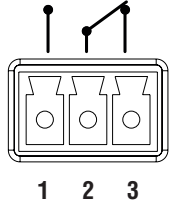
ANY SELECTION (THROUGH DIP-SWITCHES) IS ONLY ACCEPTED AND GETS ACTUAL AT THE END OF A PRIORITY EVENT (FOR INSTANCE, A MIC. CALL) OR WHEN SWITCHING THE DEVICE ON.



- 28 CHIME LEVEL (a trimmer adjustable by using a small screwdriver).
- 29 SEQUENTIAL COMMAND with removable connector (activated when the 2 pins are short-circuited) to send continuously (with max. volume) either the chime (selected through the dip-switch 7 PRESET 27) or an alarm tone (selected through the dip-switch 8 PRESET 27).
- 30 Internal relay contacts (3 pole removable connector)
The internal relays switches when a priority command is present.

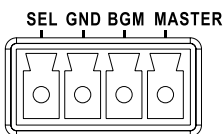
1 – normally open
2 – common
3 – normally closed

Max. voltage: 24 V; max. current: 0.5 A.



31 REMOTE CONTROL terminal

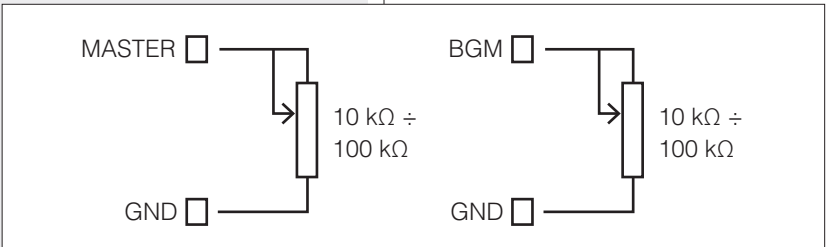
SEL: music source selection (when linked to ground)
GND: common ground
BGM: music volume
MASTER: master volume



REMOTE VOLUME CONTROL

The MASTER and BGM remote volume controls are independent. Insert a potentiometer between the respective contact and the ground.

The potentiometer nominal value affects the operating range (referring to the front panel settings): the higher the value, the wider the adjustable range.
Its value can be typically from 10 kΩ to 100 kΩ, the optimal action is obtained with an inverse logarithmic curve potentiometer, but it is also acceptable a linear response one.

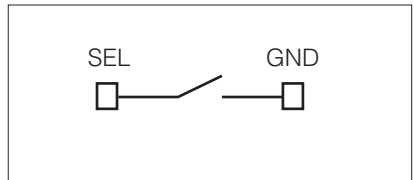


The music remote control is relative to the activated music source (either internal or external).
The maximum range that can be obtained is 40 dB (relative to the signal adjusted by the main settings).

IMPORTANT: IF A REMOTE CONTROL POTENTIOMETER IS NOT FORESEEN, IT IS NECESSARY TO SHORT-CIRCUIT THE RESPECTIVE CONTACT TO GROUND (THROUGH A WIRE), OTHERWISE THE MASTER VOLUME AND / OR THE BGM VOLUME ARE SET TO ZERO (MUTED).

MUSIC SOURCE REMOTE SELECTION

It is obtained by connecting a push-button between the SEL e GND contacts.
The selection is cyclic: CD/USB – MP3 player and tuner, AUX INPUT 21, no music.



32 EXT AMP INPUT for a 100 – 70 V constant voltage line coming from the additional external amplifier output.

33 Separate 100 – 70 V constant voltage ZONE OUTPUTS (one per zone) to connect loudspeakers. See the section 'Loudspeaker connection'.

34 DIRECT OUTPUTS (not affected by zone selection, max. 320 W) to loudspeakers (100 / 70 V constant voltage line).

The low impedance output (min. 4 Ω) allows to connect a monitor loudspeaker (max. power: 2 W).

35 Mains connector with fuse

Before connecting the power cable, verify that the apparatus voltage (230 or 115 V ac) corresponds to the available mains supply.

NOTE: THE FUSE TYPE IS MARKED ON THE REAR PANEL (BELOW THE MAINS CONNECTOR).



OPERATION MODES



ES 3323 CAN OPERATE IN 3 DIFFERENT MODES:

1. SINGLE: as stand-alone amplifier for both paging and music.

The music is not held in zones not paged during a priority event in progress.

2. DUAL AMPLIFICATION 'A': ES 3323 is linked to an additional external amplifier (i.e. RCF UP 2321) for paging only (while the internal one amplifies the music only).

3. DUAL AMPLIFICATION 'B': ES 3323 is linked to an additional external amplifier (i.e. RCF UP 2321) for music only (while the internal one is for paging only).

'VOX' IS AN INTERNAL CIRCUIT THAT AUTOMATICALLY ACTIVATES THE CHANNEL 1 PRIORITY WHEN A SIGNAL IS DETECTED ON THE AUDIO INPUT 1.



SINGLE MODE OPERATION



OPERATION WITH NO PRIORITY EVENT IN PROGRESS

(after turning the amplifier on or when a priority command ends).

If no priority command is present (including VOX and SEQUENTIAL COMMAND 29), all the channels 1, 2, 3, 4 and the music source are mixed together.

The music source can be:

- The internal CD/USB – MP3 player and tuner.
- The AUX INPUT signal.
- Disabled.

The mixed signal is only sent to zones selected through the 3 MUSIC [11] buttons on the front panel.

The master volume is adjusted by the MASTER 6 control.

The volume of each input 1 ÷ 4 is adjusted separately by the controls 1, 2, 3, 4 1.

The music volume depends on either the control of the CD/USB – MP3 player and tuner (if selected) or the AUX IN volume control 2 on the front panel.

The AUX INPUT 21 volume also depends on the rear panel GAIN 20 control.

THE MUSIC SOURCE (INTERNAL OR EXTERNAL) CAN BE ACTIVATED / MUTED THROUGH THE FRONT PANEL BUTTONS

3 4.



PROCEED AS FOLLOWS:

- a. Ensure the dip-switches 9 and 10 PRESET 29 are both set to OFF (or both set to ON).
- b. Ensure the dip-switches 11 and 12 PRESET 29 are both set to ON.
- c. Adjust (momentarily) the MASTER 6 control at (circa) half volume.
- d. Choose a music source (internal or AUX IN) through the front panel buttons 3 4;
- e. Select zones where to send the music through the 3 MUSIC 11 buttons.
- f. Adjust the music volume (through either the CD/USB – MP3 player and tuner volume or the AUX IN 2 control).
- g. If loudspeakers are connected to the ZONE OUTPUTS 33, temporarily set the 3 attenuators 12 to MAX. (not necessary when using DIRECT OUTPUTS 34).
- h. Adjust the MASTER volume to get the desired level.
- i. If necessary, attenuate the output level of each zone by using its respective attenuator 12.
- j. Adjust the channel 1 ÷ 4 volumes 1 if these inputs are connected.

NOTE: HERE ABOVE IT IS ASSUMED THAT REMOTE CONTROL POTENTIOMETERS ARE NOT CONNECTED OR, IF CONNECTED, THESE ARE TEMPORARILY SET TO THEIR MAX. LEVEL.



PRIORITY

**THE PRIORITY COMMAND IS GOT:**

- Through channels 1 ÷ 4, by connecting (in the removable connectors 15) the respective contact CMD to ground (GND); the priority remains activated if the link is stable (but the input 2 and 3 SMART function).
- By the channel 1 through its VOX function (if enabled).
- Through BM 3003 / BM3001 paging microphones connected to the 'RJ' port 13 of the channels 2 and 3, considering that removable connectors (for priority commands and audio signals) cannot be used if lines are engaged (in order to avoid malfunction).
- By the SEQUENTIAL COMMAND 29.

If any priority command is in progress (including VOX), only the channel with priority (among inputs 1 ÷ 4, BM 3003 / BM 3001 paging microphones, SEQUENTIAL COMMAND) is sent to the DIRECT OUTPUTS 34 for loudspeakers.

The selected music source and the other inputs are muted (even on ZONE OUTPUTS 33). When a priority event is in progress, the 'PRIOR' LED 7 gets lit and the audio signal sent to the PRE OUT 23 only includes the channel with priority.

THE PRIORITY MODE (INCLUDING THE VOX FUNCTION) IS SET BY THE DIP-SWITCH 3 PRESET 27:

DIP 3	MODE	
INTERLOCKED	INTERLOCKED	<p>Only the first priority command of channels 1 ÷ 4 is accepted (also channel 1 VOX, if enabled through the dip-switch 4 PRESET 27). Any other priority command will not be accepted until the previous one is removed.</p> <p>NOTE: THE ONLY EVENT THAT CAN ALWAYS BE ACTIVATED LATER (AND OVERRIDES A PREVIOUS PRIORITY) IS THE SEQUENTIAL COMMAND 29.</p>
GRAD. PRIOR. 1/2-3/4	GRADUATED PRIORITY	<p>A priority command having a higher level can override the previous one.</p> <p>The priority levels are:</p> <ol style="list-style-type: none"> 1. (highest) SEQUENTIAL COMMAND 2. channel 1 (including VOX) 3. channels 2 and 3 (interlocked each other) 4. channel 4

As soon as a priority event ends, the initial state will be restored (the channels 1, 2, 3, 4 and the selected music source will be mixed together, unless another priority event is in progress).

About selective paging to A, B, C zones (separated ZONE OUTPUTS 33), it is necessary to consider:

- The state of front panel PAGING 10 and GENERAL 9 buttons.
- The setting of the dip-switches 1 and 2 PRESET 27 on the rear panel.
- The device requiring the priority (for instance, BM 3001 paging microphones can make general calls only, BM 3003 can make selective calls).

The 3 zone attenuators 12 can adjust the level on the separate 70V / 100V ZONE OUTPUTS 33, but the DIRECT OUTPUTS 34 (and the additional external amplifier, if present) are not affected by these controls.

The audio signal of an event with priority and 'override' is always sent to the separate outputs with its. max. set volume, without being controlled by the zone attenuators.

The audio signal level of an event with normal priority is also adjusted by the zone attenuators.

'OVERRIDE' MEANS THAT AUDIO SIGNALS ARE SENT WITHOUT BEING AFFECTED BY THE 3 ZONE ATTENUATORS 12.



THE 3-ZONE SELECTIVE PAGING IS CONTROLLED ACCORDING TO THE FOLLOWING RULES:

1. If the GENERAL button 9 is on, when the priority is got by one of the channels 1 ÷ 4 or a BM3001 paging microphone, paging will be general ('all call') in the OVERRIDE mode (regardless of any other setting).
2. When the priority is got by the channels 2 – 3 (or by a BM 3001 paging microphones connected to either the input 2 or 3) or the SEQUENTIAL COMMAND 29, paging (/ the alarm tone) will be general ('all call') in the OVERRIDE mode (regardless of any other setting).
3. From BM 3003 paging microphones (connected to the inputs 2 and 3), users can always select the zones to be paged (OVERRIDE mode).
4. When the priority is got by the channel 1, paging will be always in the OVERRIDE mode; the zone selection depends on both the dip-switch 1 of the PRESET group 27 and the front panel PAGING buttons 10:
 - If the DIP 1 is set to 'PAGING A B C TO IN 4', paging is always general (regardless of the PAGING button selection).
 - If the DIP 1 is set to 'IN 1', paging is selective to the zones chosen through the PAGING buttons (note: if no zone is selected, paging is only sent to the DIRECT OUTPUTS 34).
5. When the priority is got by the channel 4, paging can be either normal or in the OVERRIDE mode, according to the dip-switch 2 setting of the PRESET group 27 (and also the front panel GENERAL button 9). The zone selection depends on both the dip-switch 1 (PRESET group 27) and the front panel PAGING buttons 10:
 - If the DIP 1 is set to 'IN 1', paging is always general (regardless of the PAGING button selection).
 - If the DIP 1 is set to 'PAGING A B C TO IN 4', paging is selective to the zones chosen through the PAGING buttons (note: if no zone is selected, paging is only sent to the DIRECT OUTPUTS 34).

TABLE OF CORRELATION BETWEEN PRIORITY COMMANDS AND ACTIVATED ZONES:

PRIORITY COMMAND	Dip-switch 1 (Paging buttons to IN 1 / IN 4)	Dip-switch 2 (IN 4 override)	General button	Activated zones	mode (normal/override)
BM 3003 PAGING MIC.				Selected zones by BM 3003 paging mic.	override
INPUT 1	IN 4			all	override
	IN 1		ON	all	
			OFF	Selected zones through Paging buttons 10	
INPUT 2, INPUT 3, BM 3001 PAGING MIC.				all	override
INPUT 4	IN 4		ON	all	override
			OFF	Selected zones through Paging buttons 10	normal
	IN 1		ON	all	override
			OFF		normal
SEQUENTIAL COMMAND				all	override

DUAL AMPLIFICATION 'A'



In this mode, ES 3323 is linked to an additional external amplifier (i.e. RCF UP 2321) for paging only (while the internal one amplifies the music only).

ES 3323: MUSIC EXTERNAL AMPLIFIER: PAGING

See the manual section 'Additional external amplifier connection', paragraph 'A'.

IF NO PRIORITY EVENT IS IN PROGRESS:

- The music (internal or external player) is sent to all the zones having the MUSIC button 11 turned on (or both the MUSIC 11 and PAGING 10 buttons turned on).
- The mix of all the channels 1 ÷ 4 (through the external amplifier) is sent to all the zones having (only) the PAGING button 11 turned on.

When a priority event is in progress (i.e. an announcement), the signal having the priority is sent to the 3 zones by following the rules listed in the previous manual section 'Single mode operation', **but the OVERRIDE function (as the level of the signal having the priority depends on the external amplifier volume setting).**

The music is held (if activated) in the zone(s) not affected by the event with priority.

DURING A PRIORITY EVENT, ONLY THE SIGNAL WITH PRIORITY (AND NOT THE MIX OF ALL THE CHANNELS 1 ÷ 4) IS SENT TO THE ZONE(S) HAVING THE (ONLY) PAGING BUTTON 11 TURNED ON.



In this mode, ES 3323 is linked to an additional external amplifier (i.e. RCF UP 2321) for music only (while the internal one is for paging only).

ES 3323: PAGING EXTERNAL AMPLIFIER: MUSIC

See the manual section 'Additional external amplifier connection', paragraph 'B'.

IF NO PRIORITY EVENT IS IN PROGRESS:

- The music (internal or external player, ES 3323 sends the signal to the external amplifier) is present in all the zones having the respective MUSIC button 11 turned on (or both MUSIC 11 and PAGING [10] buttons turned on).
- The mix of all the channels 1 ÷ 4 (through the ES 3323 internal amplifier) is sent to all the zones having (only) the PAGING button 11 turned on.

When a priority event is in progress (i.e. an announcement), the signal having the priority is sent to the 3 zones by following the rules listed in the previous manual section 'Single mode operation', including the OVERRIDE mode.

The music is held (if activated) in the zone(s) not affected by the event with priority.

The attenuators 12 control the paging levels only (if the OVERRIDE function is not activated).

ADDITIONAL EXTERNAL AMPLIFIER CONNECTION



ES 3323 has 2 audio outputs (PAGING OUT 25 e MUSIC OUT 26) and a (100 V / 70 V) constant voltage input for the external amplifier connection.

A) ES 3323: MUSIC EXTERNAL AMPLIFIER: PAGING

NECESSARY LINKS:

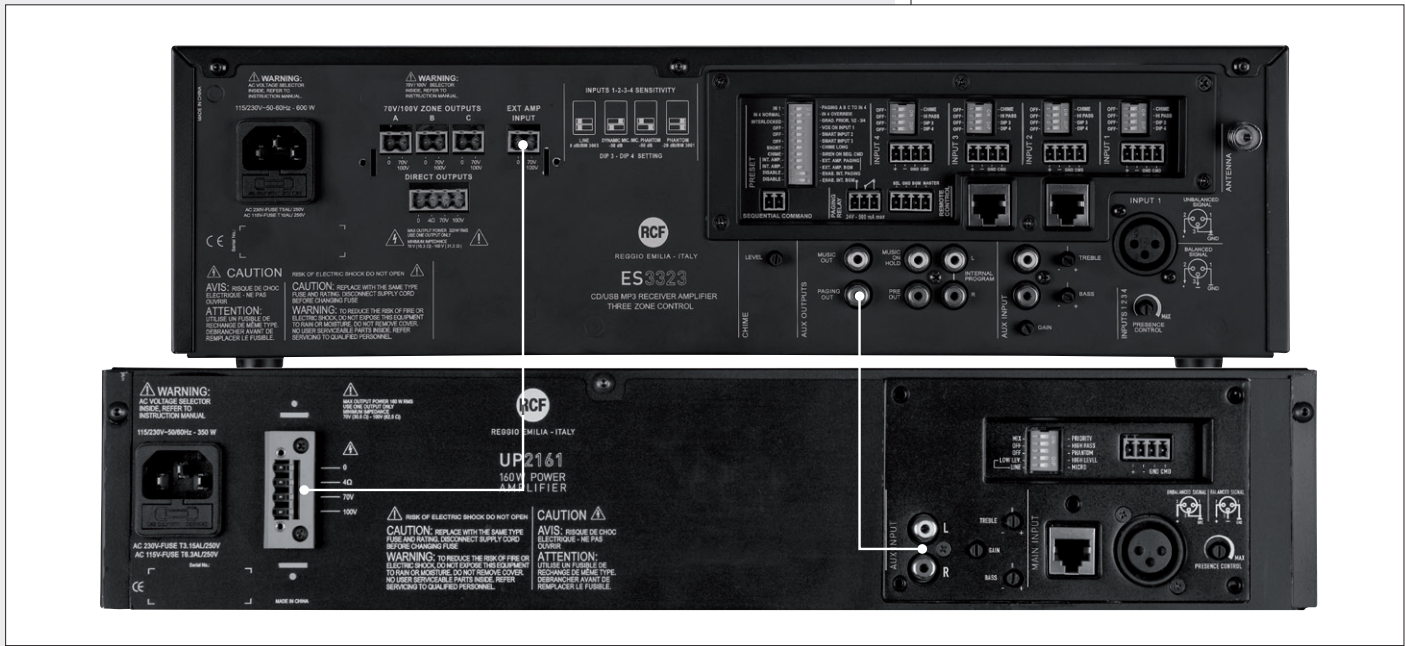
- Connect PAGING OUT 25 to the external amplifier audio input.
- Connect the external amplifier 100 V (/ 70 V) constant voltage output (for loudspeakers) to EXT AMP INPUT 32;

DIP-SWITCH SETTINGS (PRESET GROUP 27):

- DIP 9 **ON**
- DIP 10 **OFF**
- DIP 11 **OFF** (to avoid that channel 1 ÷ 4 signals are mixed with the music)
- DIP 12 **ON** (music is sent to the internal amplifier).

EXAMPLE OF CONNECTION TO AN RCF UP 2321:

- Connect PAGING OUT 25 to UP 2321 AUX INPUT
- Connect the UP 2321 (100 V / 70 V) constant voltage output to EXT AMP INPUT 32.



B) ES 3323: PAGING EXTERNAL AMPLIFIER: MUSIC

NECESSARY LINKS:

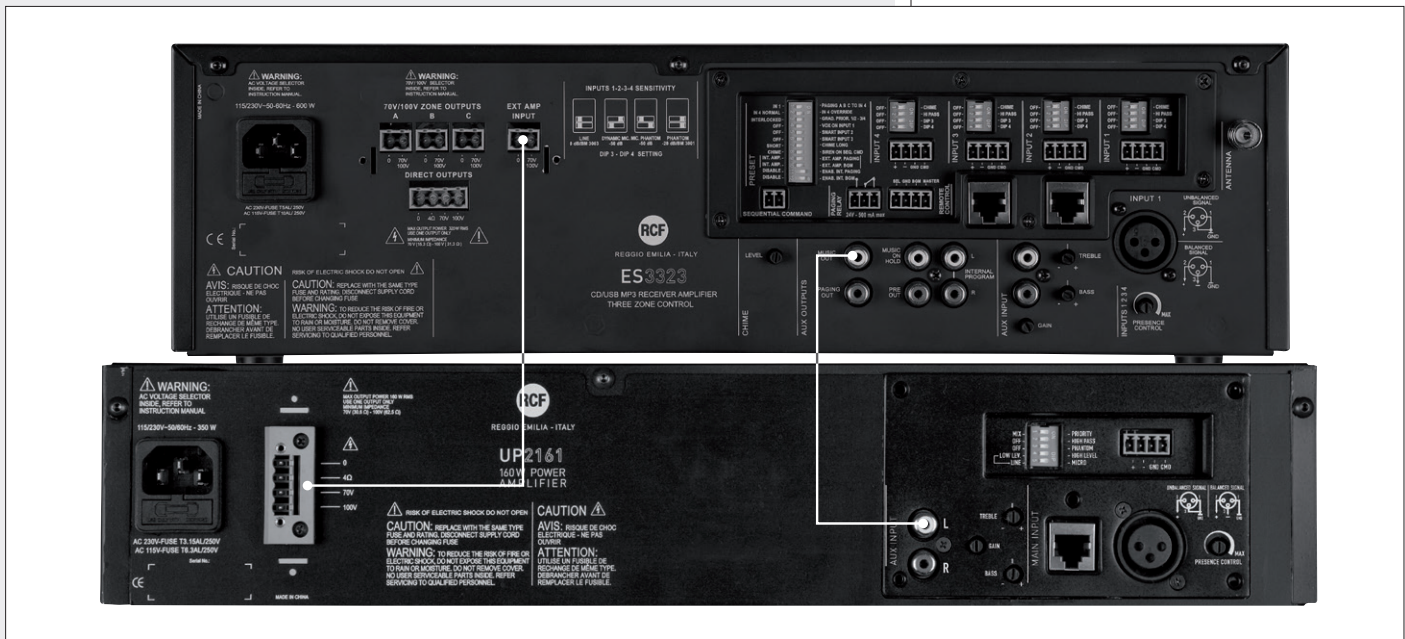
- Connect MUSIC OUT 26 to the external amplifier audio input.
- Connect the external amplifier 100 V (/ 70 V) constant voltage output (for loudspeakers) to EXT AMP INPUT 32;

DIP-SWITCH SETTINGS (PRESET GROUP 27):

- DIP 9 OFF
- DIP 10 ON
- DIP 11 ON (it enables the channel 1÷4 signals to the internal amplifier)
- DIP 12 OFF (music is muted to the internal amplifier).

EXAMPLE OF CONNECTION TO AN RCF UP 2321:

- Connect MUSIC OUT 25 to UP 2321 AUX INPUT
- Connect the UP 2321 (100 V / 70 V) constant voltage output to EXT AMP INPUT 32.





SEQUENTIAL COMMAND

The SEQUENTIAL COMMAND 29 has the highest priority and starts (and keeps) playing to all zones either the chime (short or long, set through the dip-switch 7 of the PRESET group 27) or the alarm tone (set through the dip-switch 8 of the PRESET group 27) in the OVERRIDE mode.

CHANNEL 2 - 3 'PUSH' / 'TOGGLE' ('SMART') PRIORITY MODE

The dip-switches 5 and 6 of the PRESET group 27, allow choice of priority mode for channels 2 and 3 respectively between 'push' (the priority is held only if the command is still present) and 'toggle' (the priority is switched on / off by every impulse of the command).

NOTE: THE CHOSEN PRIORITY MODE IS APPLIED TO BOTH BM 3001 PAGING MICROPHONES (IF PRESENT) AND PRIORITY COMMANDS (OF REMOVABLE CONNECTORS), BUT NEVER TO BM 3003 PAGING MICROPHONES.

SET THE DIP-SWITCH 5 (FOR THE INPUT 2) AND/OR THE DIP-SWITCH 6 (FOR THE INPUT 3) OF THE PRESET GROUP TO OFF IF BM 3003 PAGING MICROPHONES ARE CONNECTED.



4 DIP-SWITCH GROUP (PER EACH CHANNEL 1÷4)

For each channel, it is possible to set the input gain (with or without PHANTOM power supply) on/off, insert / remove the high-pass filter and enable / disable the chime, which is played on every priority event.

INFORMATION ABOUT THE CHIME

The chime is not played when using the channel 1 VOX function (a priority command is needed to play the chime).

Its melody can be either short or long (dip-switch 7 of the PRESET group 27).

<p>SHORT</p>	<p>LONG</p>
--------------	-------------

When the chime is playing (a few seconds), in the single mode operation, the music (internal or external through the AUX INPUT) is muted.

SETTING AUTOMATIC STORE

All settings by the front panel buttons are automatically stored after 10 seconds since the last button pressure.

If a priority event is in progress, it is possible to change the state of each single button (by pressing it), but the respective effect will be actually applied and stored only when the priority event ends.

RCF BM 3001 / BM 3003 PAGING MICROPHONES



RCF BM 3001 / BM 3003 PAGING MICROPHONES

Channels 2 and 3 have an input with RJ 45 socket, to which it is possible to connect 2 models of RCF paging microphones (not included):

- BM 3001 (for all calls only)
- BM 3003 (for 3-zone selective calls and 'daisy-chain' links of up to 12 paging microphones in the same line).

Only one BM 3001 paging microphone can be connected to each RJ 45 input (max. 2: one to the input 2, one to the input 3).

The BM 3001 operating mode and its priority depends on settings previously described.

IT IS POSSIBLE TO ASSIGN THE SMART FUNCTION TO EACH BM3001 PAGING MICROPHONE THROUGH THE DIP-SWITCHES 5 (FOR THE INPUT 2) AND 6 (FOR THE INPUT 3) OF THE PRESET GROUP 27.



ES 3323-II identifies a BM3001 paging microphone through the 'LINE with PHANTOM' mode setting in the respective channel, therefore it is necessary to set the input dip-switches 3 and 4 16 properly (both set to ON).

WHEN USING BM3003 PAGING MICROPHONES, TO EACH RJ 45 IT IS POSSIBLE TO CONNECT:

- a single BM 3003 paging microphone (without any additional power supply unit)
- a 'daisy-chain' made of max.12 BM 3003 by inserting an additional power supply unit.

After connecting one or more BM 3003 **paging microphones, set the dip-switches 3 and 4 16 of the respective input to the 'LINE' mode (both set to OFF).**

BM 3003 paging microphones always operate in the SMART mode, so set (/ leave) the dip-switch 5 (for the input 2) and 6 (for the input 3) of the PRESET group 27 (SMART function) to OFF.

IT IS POSSIBLE TO CONNECT A BM 3001 TO AN RJ 45 INPUT AND ONE (OR MORE) BM 3003 TO THE OTHER, SO IT IS ALLOWED TO HAVE:

- No paging microphone
- 1 x BM 3001
- 2 x BM 3001 (one per each input)
- max. 12 x BM 3003 (to one input only)
- max. 12 x BM 3003 (to an input) + 1 x BM 3001 (to the other input)
- max. 24 x BM 3003 (max. 12 per each input).

IMPORTANT: IT IS NOT ALLOWED TO CONNECT DIFFERENT PAGING MICROPHONE MODELS TO THE SAME INPUT!



When BM 3003 paging microphones are linked (daisy-chain) in the same line, the first BM 3003 (that is directly connected to the ES 3323 amplifier) does not need to be powered by the additional power supply unit, which is necessary for all the others.

About paging microphone operation in details, refer to the respective user manuals. When the chime is playing (if enabled), microphones are momentary muted.

Paging microphones can be disabled by events having a higher priority level than their channels (2 and 3).



NOTE SUI COMPACT DISC

- Use 12 cm audio CD, CD-R and CD-RW only. Never insert 8 cm (3-inch) CDs !
- Do not use damaged CDs (or having an irregular shape).
- Keep CDs clean and hold them always on their edges (without touching their unlabeled surface). Wipe a dirty CD from the centre outward with a clean soft and dry cleaning cloth. Do not use alcohol or solvents.
- Do not attach adhesive labels on CDs (and do not use CDs having adhesive labels).
- Put CDs in their cases when not used.
- Do not leave CDs close to heat sources, exposed to high temperatures or the direct sunlight (for instance, inside a car).
- Some CD-R (recordable) / CD-RW (rewritable) types may not be read correctly.



FRONT PANEL

1 POWER ON/OFF – MUTE button.

If the player is off, press (and release) this button to turn it on.

If the player is on, press (and release) this button to mute it ("MUTE" is displayed).

Press it again (or rotate the volume control 4) to unmute it.

Press and hold (2 seconds) to turn off the player.

2 SRC (source) button: press (once or more times) to select the source among the tuner, CD (when inserted), USB (if a USB flash drive is connected), AUX input, 'Bluetooth' devices (if present and matched to the player).

3 FM/AM button: tuner band selection between FM (frequency modulation, 3 groups: FM1, FM2, FM3) and AM (medium wave amplitude modulation, 2 groups: MW1, MW2).

FRONT PANEL

4 Volume control (encoder) and push button to select parameters.

Turn it clockwise to turn the volume up of the player (only).

Turn it counterclockwise to turn the volume down.

When pushed, it changes the parameter to edit (by turning the control):

volume (VOL 0 ÷ 47) → bass (BAS -7 ÷ +7) → treble (TRE -7 ÷ +7) → balance (BAL 10L ÷ 10R; 10L = left channel only, 0 = centre, 10R = right channel only).

THE BALANCE (BAL) CONTROL WORKS ON THE STEREO INTERNAL PROGRAM OUTPUT ONLY. LEAVE THIS SET AT 0 (CENTRE), IN ORDER TO SEND A MONO SIGNAL (THE EQUAL SUM OF THE LEFT AND THE RIGHT CHANNELS) TO THE AMPLIFIER.

Push and hold this button for at least 2 seconds to enter the 'function menu' (read the relevant manual section).



5 |◀◀ (BACK) button

TUNER:

- Push and immediately release the BACK button to start the previous station automatic search (press again to stop it).
- Push and hold the BACK button for at least 2 seconds to enter the manual search mode (MANU ON is displayed), in order to tune the frequency a 0.05 MHz (FM) step down (each pressure). After 5 seconds from the last button pressure, the manual search mode will be automatically disabled (MANU OFF is displayed).

Audio CD and MP3 / WMA files:

- Push and immediately release the BACK button to restart the current track (after 10 seconds of playback).
- Push once or more times (and immediately release) the BACK button to select previous tracks.
- Push and hold the BACK button to "rewind" the current track quickly.

THE TRACK / FOLDER SELECTION IS A CYCLICAL: GOING BACK, AFTER THE FIRST TRACK IT COMES THE LAST.



6 ▶▶| (FORWARD) button

TUNER:

- Push and immediately release the FORWARD button to start the next station automatic search (press again to stop it).
- Push and hold the FORWARD button for at least 2 seconds to enter the manual search mode (MANU ON is displayed), in order to tune the frequency a 0.05 MHz (FM) step up (each pressure). After 5 seconds from the last button pressure, the manual search mode will be automatically disabled (MANU OFF is displayed).

Audio CD and MP3 / WMA files:

- Push and immediately release the FORWARD button to select the next track.
- Push and hold the FORWARD button to fast-forward the current track.

THE TRACK / FOLDER SELECTION IS A CYCLICAL: GOING AHEAD, AFTER THE LAST TRACK IT COMES THE FIRST.



7 ▶|| button (audio CD and MP3 / WMA files only)

Push and immediately release to switch the pause on/off.

Push and hold to restart the entire audio CD / USB flash drive.

8 INT (intro) button (audio CD and MP3 / WMA files only)

Push to turn on **INT ON** / off **INT OFF** the sequential playback of every track intro (10 seconds).

9 **RPT** (repeat) button (audio CD and MP3 / WMA files only)

Audio CD: it turns on **RPT TRK** / off **RPT OFF** the continuous repeat of the selected track.

MP3 / WMA files: **RPT TRK** continuous repeat of the selected track → **RPT FOLD** sequential continuous repeat of all folder tracks → **RPT OFF** no repeats, standard playback.

10 **RDM** (random) button (audio CD and MP3 / WMA files only)

It turns on **RDM ON** / off **RDM OFF** the track random playback.

11 **Folder-** button (MP3 / WMA files only)

Push and immediately release to select the previous folder (**FOLDER <<**).

Push and hold to skip 10 tracks back (**10TRK <<**).

12 **Folder+** button (MP3 / WMA files only)

Push and immediately release to select the next folder (**FOLDER >>**).

Push and hold to skip 10 tracks forward (**10TRK >>**).

13 **DISP** (display) button: it sequentially changes the (available) information on the display.

14 **AMS** (auto memory scan) button (tuner only).

Push and immediately release to display and listen to (about 5 seconds each) all the stored radio stations of the same band.

Push and hold to automatically scan and store some radio stations (18 in the FM band, 12 in the MW band), which signal is received properly (and better than other stations).

IMPORTANT: the auto scan erases all preferred radio stations previously stored !

THE AMS BUTTON CAN BE USED TO SEARCH MP3 FILES (SEE THE 'MP3 FILE SEARCH' SECTION).

15 **PTY** (programme type) button (FM tuner only)

Radio stations with RDS ('Radio Data System') service can broadcast a programme type identification signal.

To search a radio station that broadcasts a particular kind of music or speech programme, push the PTY button once and turn the volume control 4 to select among: **POP M** (pop music), **ROCK M** (rock music), **EASY M** (easy listening music), **LIGHT M** (light classical music), **CLASSICS**, **OTHER M** (other music kinds), **WEATHER**, **FINANCE**, **CHILDREN** (children's programmes), **SOCIAL** (social affairs), **RELIGION**, **PHONE IN** (forums), **TRAVEL**, **LEISURE**, **JAZZ** (jazz music), **COUNTRY** (country music), **NATION M** (national music), **OLDIES**, **FOLK M** (folk music), **DOCUMENT** (documentary), **TEST**, **ALARM**, **NEWS**, **AFFAIRS**, **INFO**, **SPORT**, **EDUCATE** (educational programmes), **DRAMA**, **CULTURE**, **SCIENCE**, **VARIED**.

The search automatically begins 2 seconds after the PTY selection (PTY SEEK).

If no station is broadcasting the desired music / speech programme, **NO PTY** will be displayed.

Push the PTY button again to cancel the search.



16 TA/AF (traffic announcements / alternative frequency) button (FM tuner only)

Some radio stations with RDS ('Radio Data System') service periodically provide traffic information. These stations can be identified by the TP indication on the display.

If this button is pushed and immediately released:

- When tuned to a radio station that provides traffic information, it will enable (TA is displayed) or disable the traffic information reception mode that has a particular preset volume (read the 'FUNCTION MENU' section).
- When tuned to a radio station that does not provide traffic information, according to the setting of the FUNCTION MENU **TA** parameter, it will start the automatic search of a station providing traffic information (**TA SEEK** is displayed) or it will be just displayed that this service is not currently available (**NO TA/TP**).

If this button is pushed and held for a few seconds, the 'alternative frequency' function turns on (**AF** is displayed) / off. This function (when enabled) allows the automatic search of an alternative FM station having a similar programme to the one selected when the signal reception degrades.

IF THE ALTERNATIVE FREQUENCY FUNCTION IS NOT AVAILABLE, THE AF INDICATION ON THE DISPLAY WILL BLINK.

Press and hold the PTY button **15** (for more than 2 seconds) to turn on (**REG ON** is displayed) / off (**REG OFF**) the "regional links" mode.

If the "regional links" mode is on, the AF function will implement the regional code and only radio stations in the current region can be tuned automatically.

If the "regional links" mode is off, the AF function will ignore the regional code and all radio stations in other regions can also be tuned automatically.

EON (ENHANCED OTHER NETWORKS)

If **EON** DATA ARE RECEIVED (EON IS DISPLAYED), TA AND AF FUNCTIONS WILL BE ENHANCED:

- **TA** TRAFFIC ANNOUNCEMENTS WILL BE RECEIVED FROM BOTH THE CURRENT STATION AND OTHERS.
- **AF** RDS FREQUENCY LIST WILL BE ALWAYS KEPT UPDATED (EON DATA MEMORY) FOR THE ALTERNATIVE STATION SELECTION.

17 AUX INPUT (1/8" TRS jack) for an external stereo audio device.

It is necessary to pull out the front plastic cover.

18 USB port

The insertion of a USB flash drive is automatically detected. Before removing the USB flash drive, switch the source to either tuner or CD or AUX IN by pushing the SRC button **2**.

It is necessary to pull out the front plastic cover.

Notes about USB flash drives:

- Format: FAT 12 / FAT 16 / FAT 32.
- File name: 32 byte / dir name: 32 byte / tag name: 32 byte.
- Tag (ID3 tag ver 2.0) - title / artist / album: 32 byte support.
- USB 1.1 support and also 2.0 (but at the same speed of USB 1.1).
- A few USB flash drive types may not be compatible.

19 CD EJECT button.**20 1 ÷ 6** buttons: 6 radio station selection / memory storing per each group (FM1, FM2, FM3, MW1, MW2).

Push a button and immediately release it to select a radio station (previously stored in that memory location). Push and hold a button (for 2 seconds) to store the current radio station on that memory location (the location number is indicated in the bottom right-hand corner of the display).

21 Slot for the compact disc insertion (note: insert only 1 disc at a time).

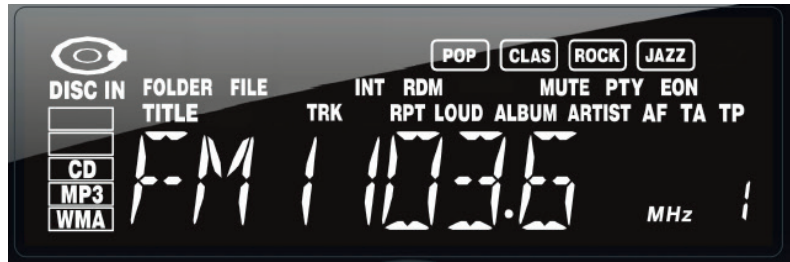
Tuner main information: selected group (FM1, FM2, FM3, MW1, MW2), frequency and if it corresponds to a stored preset (indicated in the bottom right hand corner).

POP – CLAS – ROCK – JAZZ: DSP current selection (music equalisation).

INT: track intro function enabled
RDM: random playback
MUTE: player / tuner is muted
PTY: programme type function
EON: enhanced other networks
DISC IN: a compact disc has been inserted.
CD: audio CD
MP3: MP3 file
WMA: WMA file

FOLDER: current folder
FILE: current file
TITLE: current title
TRK: current track
RPT: repeat function
LOUD: loudness enabled
ALBUM: current album
ARTIST: current artist

AF: alternative frequency search enabled
TA: traffic announcement function enabled
TP: station providing traffic information



FUNCTION MENU

Push and hold (for 2 seconds) the encoder button (volume control) ⁴ to enter the 'function menu' (wait for a few seconds without pushing it to exit automatically). Every following button pressure changes the parameter that can be edited:

TA ALARM / SEEK * → AF * → TA * → REG * → TA VOL * → RETUNE * → DSP → LOUD → DX / LOCAL → ROLL → V-LAST / ADJ → [A-VOL]

* available only if the tuner is set to FM.

Then turn the encoder to change the value of the selected parameter.

TA ALARM / SEEK

When trying to enable the TA (traffic announcements) function when tuned to a FM radio station that does not provide this service, the options are:

- ALARM: to display NO TA/TP only (service not available).
- SEEK: to search automatically a radio station providing traffic announcement information.

AF (ALTERNATE FREQUENCY)

If set to ON, the 'alternative frequency' function is enabled, allowing the automatic search of an alternative FM station having a similar programme to the one selected when the signal reception degrades. If set to OFF, the 'alternative frequency' function is disabled.

TA (TRAVEL / TRAFFIC ANNOUNCEMENTS)

If set to ON, the traffic information reception mode is enabled. When tuned to a FM radio station that does not provide traffic information, according to the setting of the previous TA ALARM / SEEK parameter, it will start the automatic search of a station providing traffic information (TA SEEK is displayed) or it will be just displayed that this service is not currently available (NO TA/TP). If set to OFF, the traffic information reception mode is disabled.

REG (REGIONAL LINKS)

If set to ON, the AF function will implement the regional code and only FM radio stations in the current region can be tuned automatically.

If set to OFF, the AF function will ignore the regional code and all FM radio stations in other regions can also be tuned automatically.

FUNCTION MENU

TA VOL: traffic announcement preset forced volume (values: 12 ÷ 45).

RETUNE: interval time from an automatic search of a radio station providing traffic announcement information (TA SEEK) to the next one.

If set to S: TA SEEK retune interval time is 45 seconds.

If set to L: TA SEEK retune interval time is 3 minutes.

DSP: music preset equalisation

OFF (no equalisation) → POP → ROCK → CLASSIC → JAZZ

LOUD (LOUDNESS): ON / OFF

"Loudness" is a simple way to improve music listening at a low volume level, bass and treble tones are both boosted to compensate for the poor sensitivity of the human ear at audible frequency range extremities.

DX / LOCAL

If set to DX: all radio stations can be selected.

If set to LOCAL: only radio station with strong signal can be selected.

ROLL

If set to ON, all information about the current track / file is automatically and sequentially displayed.

V-LAST / ADJ

CD/USB – MP3/WMA player and tuner initial volume option (when turning on):

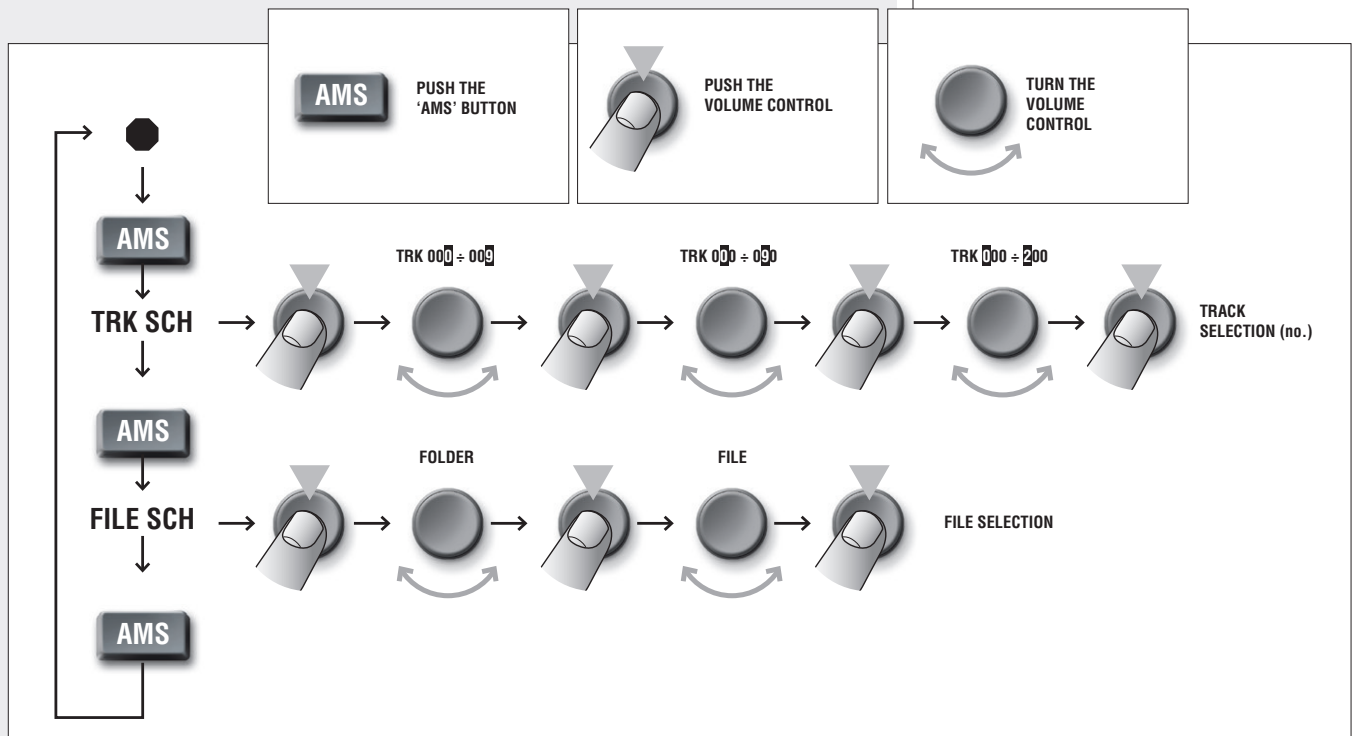
- LAST: the same volume level set before turning the device off.
- ADJ: a preset volume level defined by the following parameter A-VOL.

A-VOL (this parameter is available only if the previous V-LAST / ADJ is set to ADJ): volume level (0 ÷ 47) of the player / tuner when turning it on.

NOTES ABOUT MP3 / WMA FILES

- MP3 (MPEG Audio Layer 3) and WMA (Windows Media Audio) refers to audio compression types.
- This player reads MP3 / WMA files on CD-ROM, CD-R or CD-RW discs, USB flash drives and receives data from BLUETOOTH devices; if available, track titles, artists and albums are displayed (up to 16 characters are displayed, ID3 TAG version 2.0 is required).
- CD-R – CD-RW discs formatted as 'packet write' mode are not supported.
- CD-R discs need to be finalized.
- The file extension must be either .mp3 or .wma.
- The max. directory (/ folder) level is 8, including the 'root'.
- Max. 256 files (including folders) per source.
- If a CD includes both audio tracks and MP3 / WMA files, only the audio tracks will be played.
- Make sure that when burning a CD-R including MP3 / WMA files, this is formatted as a 'data disc' and NOT as an 'audio disc'. It is advisable not to write non-MP3 / WMA files (or unneeded folders) on the CD-R, otherwise its playback may take a long time to start.
- With some types of CD-R / CD-RW, data may not be properly written (depending on their manufacturing quality). High quality discs are recommended.
- When playing an MP3 file with variable bit rate ('VBR'), the displayed time might not be correct (and also the INT function may not work properly).
- It is advisable to use MP3 files having a sampling frequency of 44.1 kHz and a fixed bit-rate of at least 128 kbps (if higher, for instance 192 kbps, the sound quality will be better).
- The player may not play tracks in the order as written on the disc / USB flash drive.

NOTES ABOUT MP3 / WMA FILES



BLUETOOTH DEVICES

Bluetooth is a wireless technology standard for exchanging data over short distances from fixed and mobile devices (e.g. cellular phones).

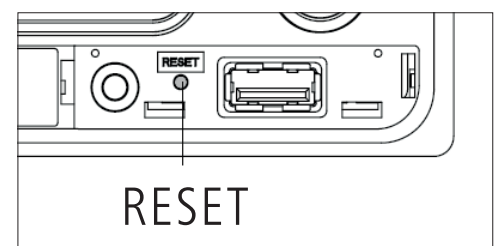
To connect your device to the player:

1. Activate Bluetooth on your device.
2. On your device, search for Bluetooth devices, then 'RCF' should be displayed.
3. Match your device to 'RCF' by inserting the code (/ password) '1234'.
4. Start the playback of an audio file on your device, which now should be included in the player source list (use the SRC **2** button to change sources).

RESET BUTTON

Push the RESET button (using a small pin only) only in case the player / tuner does not work properly or for initializing. The RESET button is between the AUX input **17** and the USB port **18**.

BLUETOOTH DEVICES

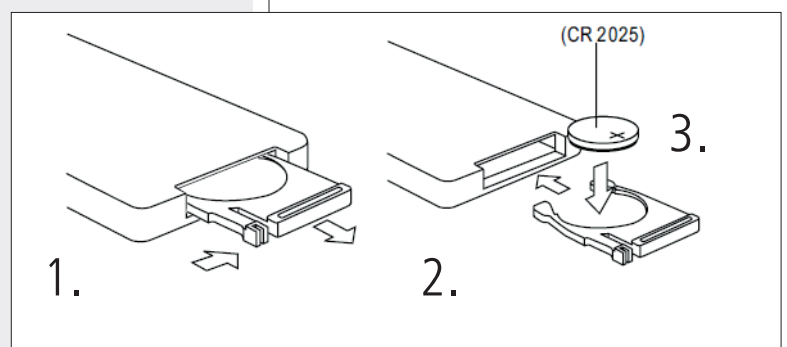


REMOTE CONTROL

The remote control uses a CR 2025 (3 V) button-type lithium battery. The battery may need replacing when the remote control does not operate correctly or for example, it is necessary to get closer to the player to restore operation. Make sure the battery polarity replacement is correct.

To insert / replace the battery:

1. Pull out the battery holder while pressing its stopper.
2. Insert the button-type lithium battery with the + mark facing upward.
3. Insert the battery holder into the remote control.



When using the remote control, hold it in the proper way and point it at the player.

ON-OFF It turns on / off the player / tuner (only).

SEL Same function of the volume control **4** when pushed.

VOL ▲(+)/▼(-) Same function of the volume control **4** when turned.

|◀◀ (back) Same function of the respective front panel button **5**.

▶▶| (forward) Same function of the respective front panel button **6**.

SRC Same function of the SRC button **2**.

AMS Same function of the AMS button **14**.

TA Same function of the TA/AF button **16**, but only for TA on/off.

AF / REG (see below *)

PTY Same function of the PTY button **15**.

BAND Same function of the FM/AM button **3**.

▶|| TOP (1) Same function of the **▶|| TOP** button **7**.

INT (2) Same function of the INT button **8**.

RPT (3) Same function of the RPT button **9**.

RDM (4) Same function of the RDM button **10**.

The **1 ÷ 6** keys can also be used to select / store 6 radio stations (see **20**).

DISP Same function of the DISP button **13**.

* **AF / REG** (alternative frequency / region; FM tuner, stations with RDS only).

Push and immediately release to enable / disable the 'alternative frequency' function (AF is displayed).

This function (when enabled) allows the automatic search of an alternative station having a similar programme to the one selected when the signal reception degrades.

Push and hold to switch on / off the 'region' option (related to the 'alternative frequency' function):

- REG ON (the selected station can only be replaced by another of the same region).
- REG OFF (the selected station can be replaced by any other).

ERROR CODES

ERROR 1 and 2

Push and hold the EJECT button **19** to eject the compact disc.

If the CD is not ejected, push the RESET button by (using a pin) and then the EJECT button (hold for 2 seconds) again. Should not be possible to eject the CD, please consult your dealer (or an authorized service centre).

ERROR 3

The compact-disc has been wrongly inserted upside down.

ERROR 4

The compact disc format is not supported (or data / files are not correct).



ERROR CODES

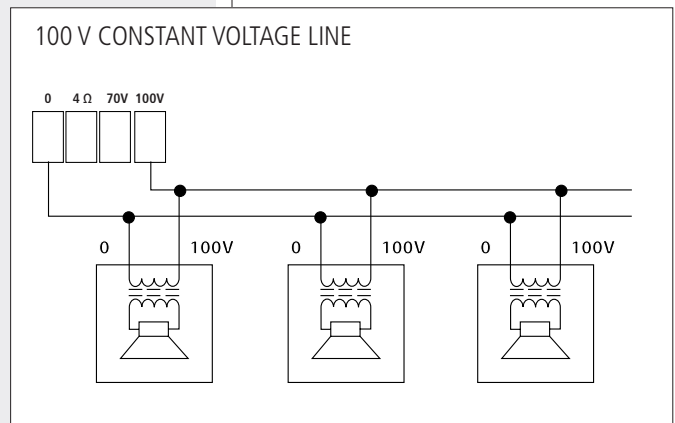
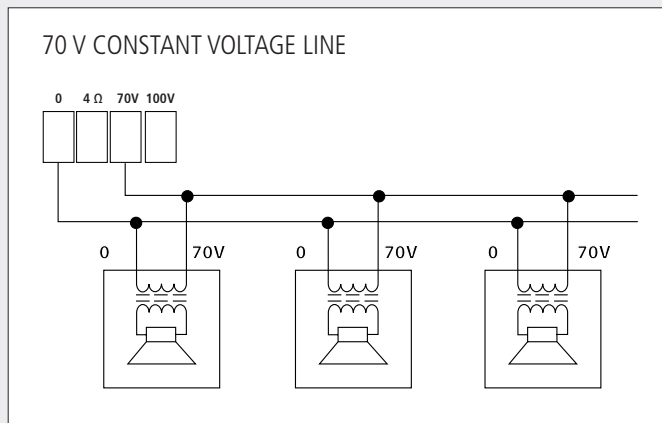


DIRECT OUTPUTS 34

Use 1 output only - DO NOT MIX 100 / 70 V CONNECTIONS

70 / 100 V CONSTANT VOLTAGE OUTPUTS

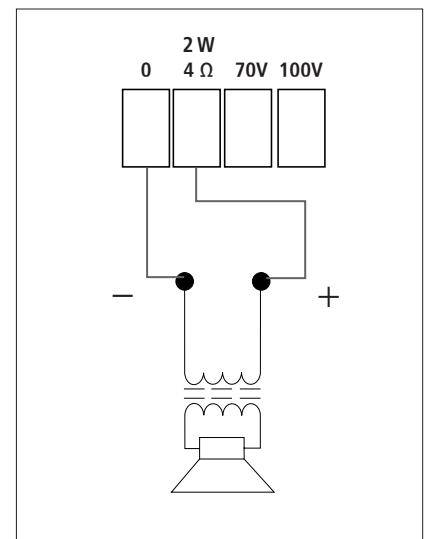
- Each loudspeaker shall have a line transformer with the input voltage equal to the line voltage (70 / 100 V).
- The loudspeaker total power (considering both direct and zone outputs) shall not be higher than the amplifier maximum power (320 W).



2 W MONITOR OUTPUT FOR A LOW IMPEDANCE LOUDSPEAKER (4 Ω)

The loudspeaker impedance shall not be lower than 4 Ω.

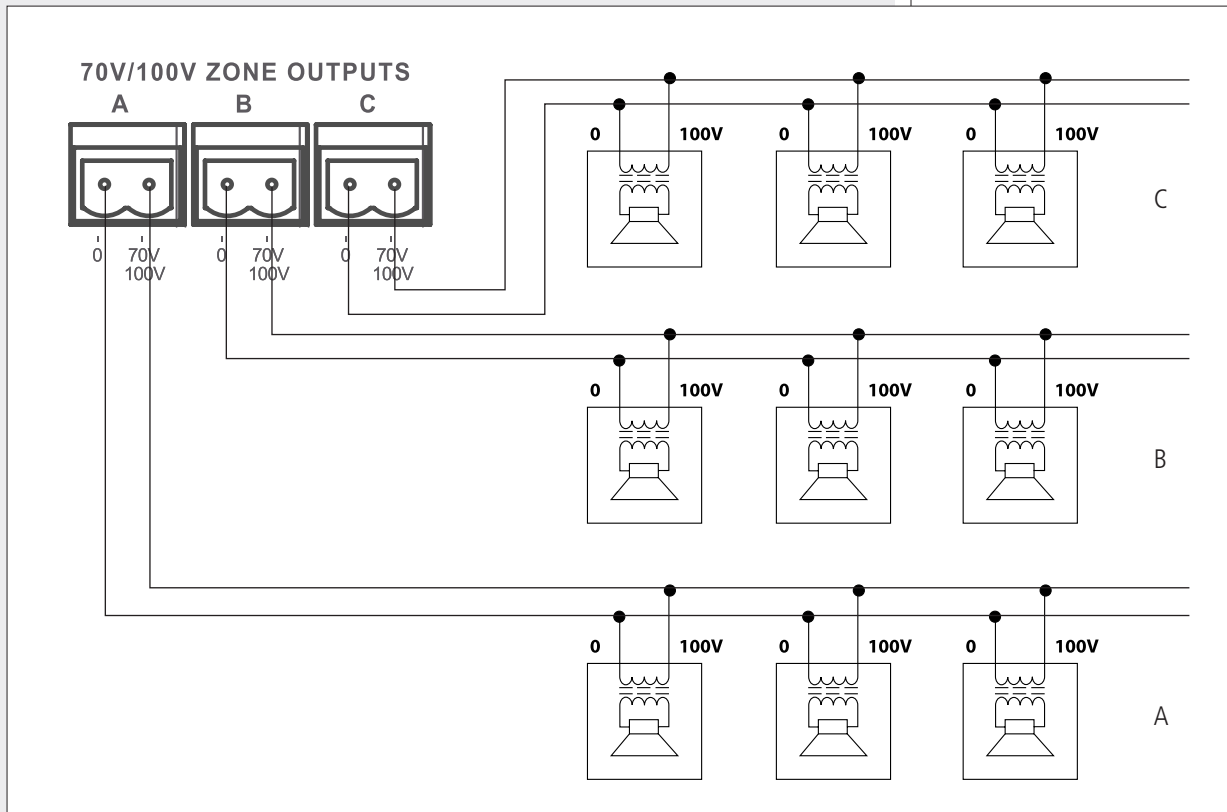
NOTE: AN IMPEDANCE EQUAL TO 4 Ω ALLOWS TO GET THE MAX. POWER (2 W). A HIGHER IMPEDANCE LEADS TO A REDUCTION OF THE DELIVERED POWER (E.G. 8 Ω: CA. 1 W; 16 Ω: CA. 0.5 W). AN IMPEDANCE LOWER THAN 4 Ω OVERLOADS THE OUTPUT.



ZONE OUTPUTS 33

Each zone has a separate 100 V / 70 V constant voltage output.
 The factory setting (common for all the 3 zones) is 100 V.
 Contact an authorised service centre to select 70 V.

- Each loudspeaker shall have a line transformer with the input voltage equal to the line voltage (70 / 100 V).
- The loudspeaker total power (considering both direct and zone outputs) shall not be higher than the amplifier maximum power (320 W).



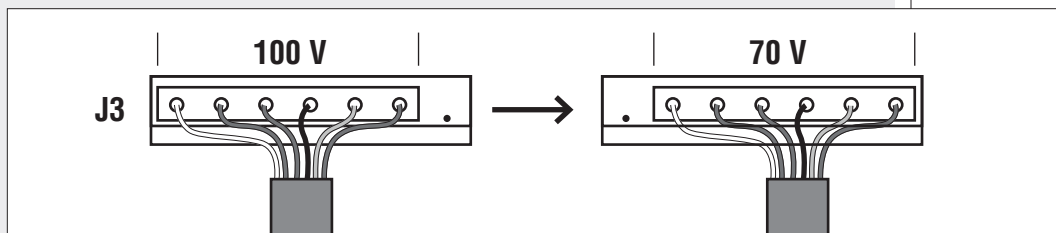
**ZONE OUTPUT 100 V / 70 V (COMMON)
 VOLTAGE SELECTION**



IMPORTANT: THIS MANUAL SECTION CONCERNS QUALIFIED PERSONNEL ONLY.
 THE FOLLOWING INSTRUCTION IS TO BE IGNORED BY THE USER.



Inside the amplifier, a board having the J3 connector 'ZONE SELECTOR' is fixed on the transformer in the centre. The factory setting is 100 V.
 Shift the cable terminal a step right (a single pin) to select 70 V.





IMPORTANT: THIS MANUAL SECTION CONCERNS QUALIFIED PERSONNEL ONLY.
THE FOLLOWING INSTRUCTIONS ARE TO BE IGNORED BY THE USER.



Make sure the device is not connected to the mains (unplug the power cord).

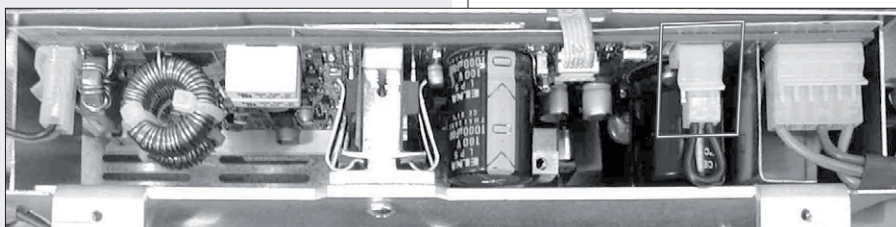
Remove the lid.

The power supply circuit is under the ventilation screen (see picture 1), which can be removed by unscrewing the 2 screws.



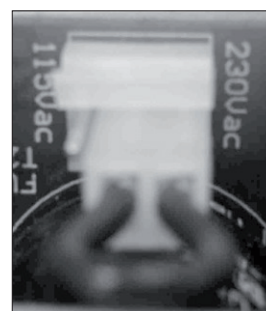
PICTURE 1

The voltage change connector is highlighted by a square in the picture 2.



PICTURE 2

If the mains voltage is 230 V, set the connector to the 230Vac position (see the picture 3), according to the PCB indication (looking at the connector front, the central pin is connected to the right one).



PICTURE 3

If the mains voltage is 115 V, set the connector to the 115 Vac position (see the picture 4), according to the PCB indication (looking at the connector front, the central pin is connected to the left one).



PICTURE 4

Refit the power supply circuit metallic screen and the device lid.

Before connecting the device to the mains, make sure that the fuse (inside the IEC power supply connector of the rear panel) is the correct current rating for the mains voltages (read the fuse indication below the connector).

**AMPLIFIER**

OUTPUT POWER	320 W (RMS)
DISTORTION (@ 1 KHZ, NOMINAL POWER)	< 0.3 %
PRESENCE CONTROL (INPUTS 1 ÷ 4)	+ 9.5 dB @ 2.2 kHz
HIGH-PASS FILTER (INPUTS 1 ÷ 4)	150 Hz
INPUTS 1 ÷ 4, LINE	
Input nominal sensitivity	- 7 dBu
Max. input	+ 21 dBu
Signal / noise ratio	80 dB
Frequency response (- 3 dB)	70 Hz ÷ 11.5 kHz
Impedance @ 1 kHz	20 kΩ (balanced) / 10 kΩ (unbalanced)
INPUTS 1 ÷ 4, LINE WITH PHANTOM	
Input nominal sensitivity	- 26 dBu
Max. input	0 dBu
Signal / noise ratio	80 dB
Frequency response (- 3 dB)	70 Hz ÷ 11.5 kHz
Impedance @ 1 kHz	6.5 kΩ (balanced)
INPUTS 1 ÷ 4, MIC. / MIC. WITH PHANTOM	
Input nominal sensitivity	- 56 dBu
Max. input	- 28 dBu
Signal / noise ratio	65 dB
Frequency response (- 3 dB)	70 Hz ÷ 11.5 kHz
Impedance @ 1 kHz	20 kΩ (balanced) / 10 kΩ (unbalanced)
AUX INPUT	
Input nominal sensitivity	0 dBu (adjustable)
Input sensitivity range	- 11 ÷ + 10 dBu
Max. input	+ 14 ÷ 24 dBu
Signal / noise ratio	79 dB
Frequency response (- 3 dB)	40 Hz ÷ 14.5 kHz
AUX INPUT TONE CONTROLS	
- Bass	± 8 dB @ 80 Hz
- Treble	± 8 dB @ 13 kHz
PHANTOM POWER VOLTAGE / CURRENT	32 V / 18 mA
PRE OUT NOMINAL OUTPUT LEVEL	0 dBm (affected by channel volume controls, presence control, music selectors and controls, not by the front panel / remote MASTER volume control)
PAGING OUT NOMINAL OUTPUT LEVEL	0 dBm (affected by channel volume controls, presence control, not by the front panel / remote MASTER volume control)
MUSIC OUT NOMINAL OUTPUT LEVEL	0 dBm (affected by music selectors and controls, not by the front panel / remote MASTER volume control)
MUSIC ON HOLD NOMINAL OUTPUT LEVEL	0 dBm (affected by the AUX INPUT gain only)
LOUDSPEAKER OUTPUTS	
Low impedance	4 Ω - power: 2 W
Constant voltage	70 V (16 Ω) / 100 V (31 Ω) - power: 320 W

RADIO

FM range	87.5 ÷ 108 MHz
FM frequency response	30 Hz ÷ 15 kHz
FM channel separation (1 kHz)	≥ 30 dB
FM intermediate rejection	≥ 70 dB
FM image rejection	≥ 50 dB
FM signal / noise ratio	≥ 55 dB
AM (mw) range	522 ÷ 1620 kHz
Antenna input	75 Ω - Coaxial

AUDIO CD

Frequency response	20 Hz ÷ 20 kHz
Signal / noise ratio	≥ 80 dB
Total harmonic distortion (1 kHz)	< 0.2 %
Channel separation	≥ 55 dB

PROTECTIONS

Amplifier	Short circuit, thermal
Load	DC Offset Delay, fuse
Power supply	fuses

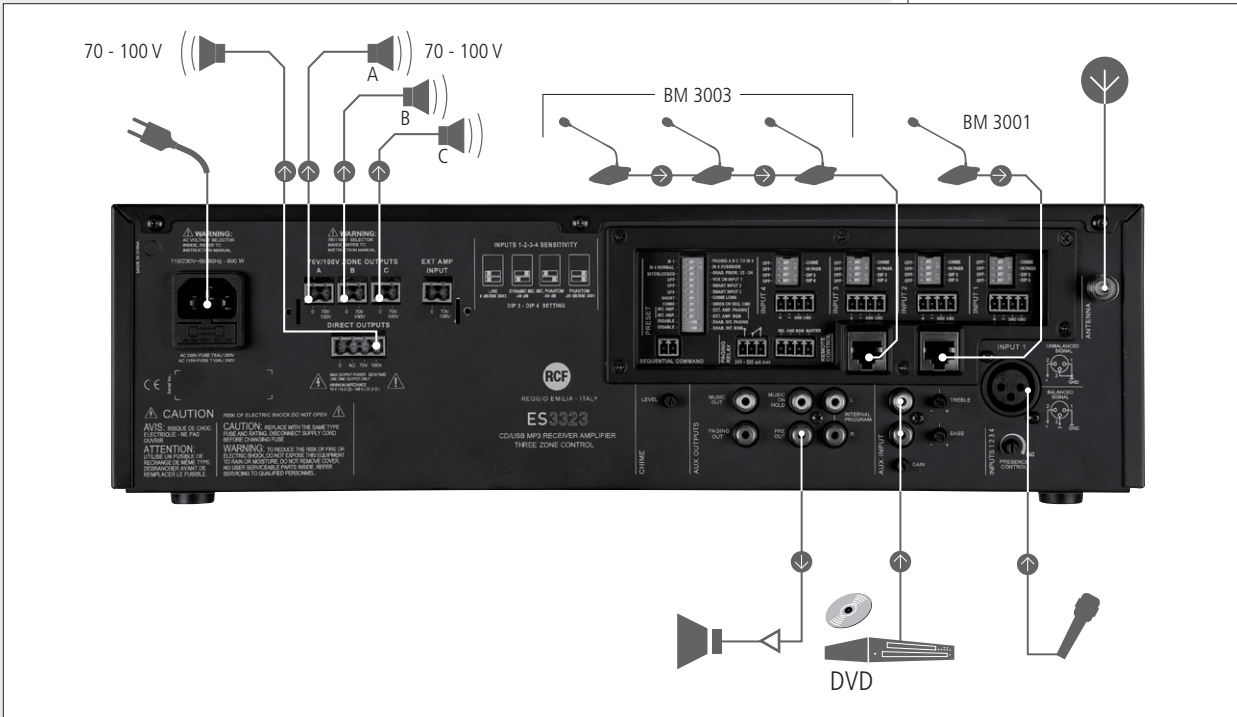
GENERIC

Operating voltage	115-230V / 50-60 Hz
Power (consumption)	600 W
Dimensions (w, h, d)	444 mm, 127 mm, 345 mm
Net weight	10.1 kg

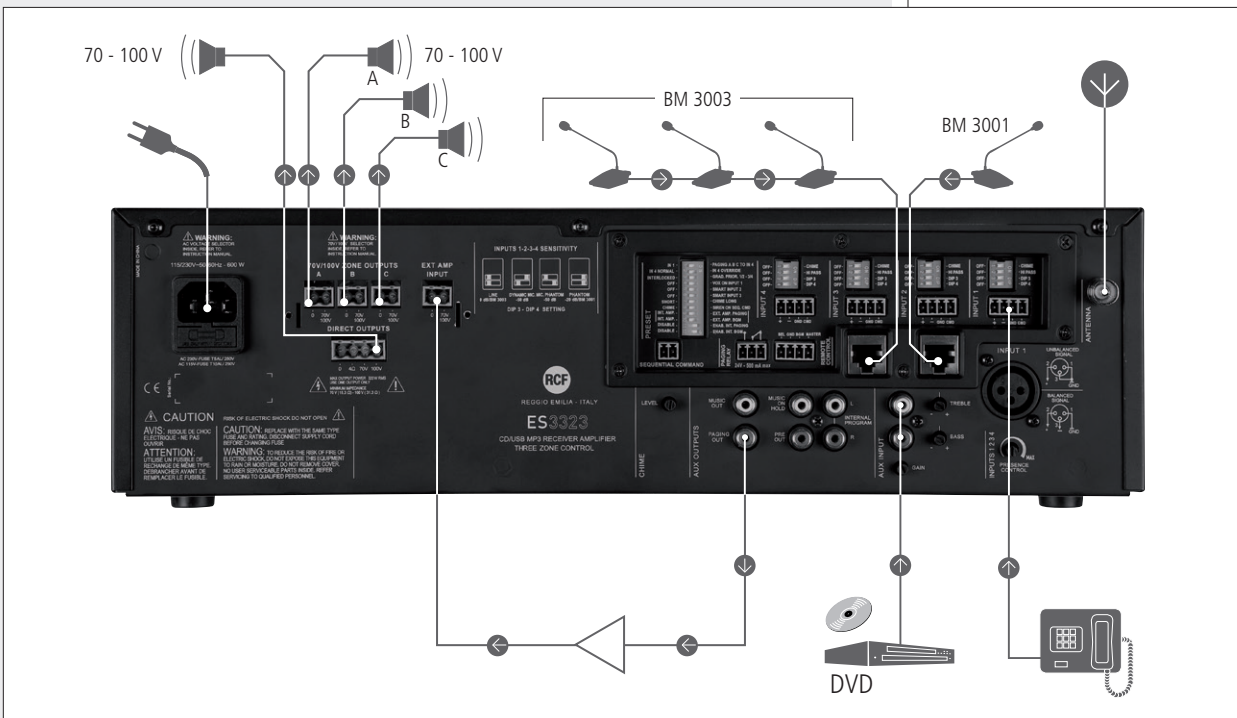
EXAMPLES OF CONNECTIONS



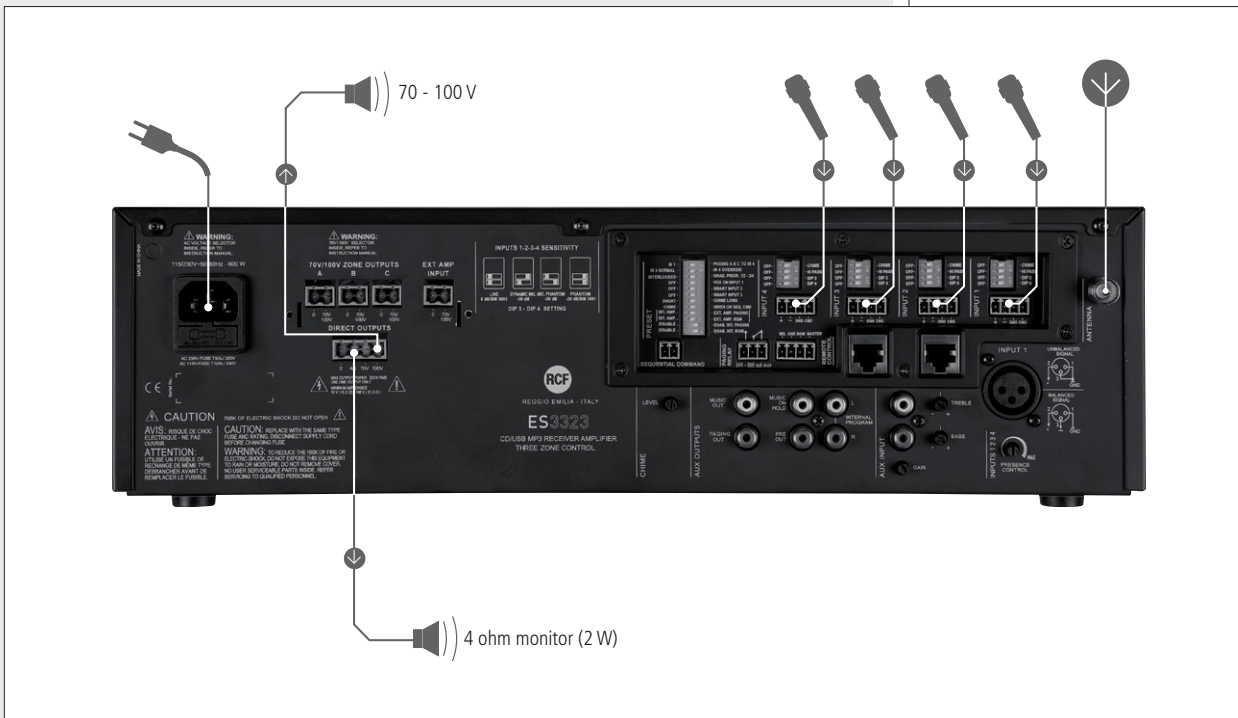
A. 3-zone paging system by using the internal amplifier only (the music is not held in non-paged zones).
 An emergency microphone (with highest priority) is connected to the input 1, a BM 3001 paging microphone to the input 2 and a line made of BM 3003 to the input 3.



B. 3-zone paging system in dual amplification 'A' mode (the external amplifier is dedicated for paging only).
 The music is amplified by the internal amplifier and is held in non-paged zones. A phone system is connected to the input 1 and two lines made of BM 3003 paging microphones to the inputs 2 and 3.



C. Mix of 4 microphones (with separated volume controls). Only the DIRECT OUT (70 - 100 V) is connected to loudspeakers. The 4 Ω output (max. 2 W) allows the connection of a monitor loudspeaker.





Prima di collegare ed utilizzare questo prodotto, leggere attentamente le istruzioni contenute in questo manuale, il quale è da conservare per riferimenti futuri. Il presente manuale costituisce parte integrante del prodotto e deve accompagnare quest'ultimo anche nei passaggi di proprietà, per permettere al nuovo proprietario di conoscere le modalità d'installazione e d'utilizzo e le avvertenze per la sicurezza.

L'installazione e l'utilizzo errati del prodotto esimono la RCF S.p.A. da ogni responsabilità.

ATTENZIONE: Per prevenire i rischi di fiamme o scosse elettriche, non esporre mai questo prodotto alla pioggia o all'umidità.

AVVERTENZE PER LA SICUREZZA

1. Tutte le avvertenze, in particolare quelle relative alla sicurezza, devono essere lette con particolare attenzione, in quanto contengono importanti informazioni.

2. ALIMENTAZIONE DIRETTA DA RETE

- La tensione di alimentazione dell'apparecchio ha un valore sufficientemente alto da costituire un rischio di folgorazione per le persone: non procedere mai all'installazione o connessione dell'apparecchio con l'alimentazione inserita.
- Prima di alimentare questo prodotto, assicurarsi che tutte le connessioni siano corrette e che la tensione della vostra rete di alimentazione corrisponda quella di targa dell'apparecchio, in caso contrario rivolgetevi ad un rivenditore RCF.
- Le parti metalliche dell'apparecchio sono collegate a terra tramite il cavo di alimentazione. Un apparecchio avente costruzione di CLASSE I deve essere connesso alla presa di rete con un collegamento alla terra di protezione.
- Accertarsi che il cavo di alimentazione dell'apparecchio non possa essere calpestato o schiacciato da oggetti, al fine di salvaguardarne la perfetta integrità.
- Per evitare il rischio di shock elettrici, non aprire mai l'apparecchio: all'interno non vi sono parti che possono essere utilizzate dall'utente.

3. Impedire che oggetti o liquidi entrino all'interno del prodotto, perché potrebbero causare un corto circuito. L'apparecchio non deve essere esposto a stitilicidio o a spruzzi d'acqua; nessun oggetto pieno di liquido (es. vasi), né sorgente di fiamma nuda (es. candele accese), deve essere posto sull'apparecchio.

4. Non eseguire sul prodotto interventi / modifiche / riparazioni se non quelle espressamente descritte sul manuale istruzioni.

Contattare centri di assistenza autorizzati o personale altamente qualificato quando:

- l'apparecchio non funziona (o funziona in modo anomalo);
- il cavo di alimentazione ha subito gravi danni;
- oggetti o liquidi sono entrati nell'apparecchio;
- l'apparecchio ha subito forti urti.

5. Qualora questo prodotto non sia utilizzato per lunghi periodi, scollegare il cavo d'alimentazione.

6. Nel caso che dal prodotto provengano odori anomali o fumo, spegnerlo immediatamente e scollegare il cavo d'alimentazione.

7. I terminali marcati con il simbolo  sono da ritenersi ATTIVI e PERICOLOSI ed il loro collegamento deve essere effettuato da PERSONE ADDESTRATE oppure si devono utilizzare cavi già pronti.

8. Non collegare a questo prodotto altri apparecchi e accessori non previsti.

IMPORTANTE



ATTENZIONE



Quando è prevista l'installazione sospesa, utilizzare solamente gli appositi punti di ancoraggio e non cercare di appendere questo prodotto tramite elementi non idonei o previsti allo scopo.

Verificare inoltre l'idoneità del supporto (parete, soffitto, struttura ecc., al quale è ancorato il prodotto) e dei componenti utilizzati per il fissaggio (tasselli, viti, staffe non fornite da RCF ecc.) che devono garantire la sicurezza dell'impianto / installazione nel tempo, anche considerando, ad esempio, vibrazioni meccaniche normalmente generate da un trasduttore. Per evitare il pericolo di cadute, non sovrapporre fra loro più unità di questo prodotto, quando questa possibilità non è espressamente contemplata dal manuale istruzioni.

9. La RCF S.p.A. raccomanda vivamente che l'installazione di questo prodotto sia eseguita solamente da installatori professionali qualificati (oppure da ditte specializzate) in grado di farla correttamente e certificarla in accordo con le normative vigenti.

Tutto il sistema audio dovrà essere in conformità con le norme e le leggi vigenti in materia di impianti elettrici.

10. Sostegni e Carrelli

Se previsto, il prodotto va utilizzato solo su carrelli o sostegni consigliati dal produttore. L'insieme apparecchio-sostegno / carrello va mosso con estrema cura. Arresti improvvisi, spinte eccessive e superfici irregolari o inclinate possono provocare il ribaltamento dell'insieme.

11. I fattori meccanici ed elettrici sono da considerare quando si installa un sistema audio professionale (oltre a quelli prettamente acustici, come la pressione sonora, gli angoli di copertura, la risposta in frequenza, ecc.).

12. Perdita dell'udito

L'esposizione ad elevati livelli sonori può provocare la perdita permanente dell'udito. Il livello di pressione acustica pericolosa per l'udito varia sensibilmente da persona a persona e dipende dalla durata dell'esposizione. Per evitare un'esposizione potenzialmente pericolosa ad elevati livelli di pressione acustica, è necessario che chiunque sia sottoposto a tali livelli utilizzi delle adeguate protezioni; quando si fa funzionare un trasduttore in grado di produrre elevati livelli sonori è necessario indossare dei tappi per orecchie o delle cuffie protettive.

Consultare i dati tecnici contenuti nei manuali istruzioni per conoscere le massime pressioni sonore che i diffusori acustici sono in grado di produrre.

NOTE IMPORTANTI



Per evitare fenomeni di rumorosità indotta sui cavi che trasportano segnali dai microfoni o di linea (per esempio 0dB), usare solo cavi schermati ed evitare di posarli nelle vicinanze di:

- apparecchiature che producono campi elettromagnetici di forte intensità (per esempio trasformatori di grande di potenza);
- cavi di rete;
- linee che alimentano altoparlanti.

PRECAUZIONI D'USO

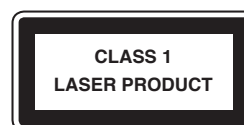


Non ostruire le griglie di ventilazione dell'unità. Collocare il prodotto lontano da fonti di calore e garantire la circolazione dell'aria in corrispondenza delle griglie di aerazione.

Non sovraccaricare questo prodotto per lunghi periodi.

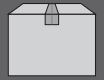
Non forzare mai gli organi di comando (tasti, manopole ecc.).

Non usare solventi, alcool, benzina o altre sostanze volatili per la pulizia delle parti esterne dell'unità.



RCF S.P.A. VI RINGRAZIA PER L'ACQUISTO DI QUESTO PRODOTTO, REALIZZATO IN MODO DA GARANTIRNE L'AFFIDABILITÀ E PRESTAZIONI ELEVATE.

DESCRIZIONE



ES 3323 è un mixer-amplificatore avente 4 ingressi audio mic-linea su connettori rimovibili (l'ingresso 1 dispone inoltre di connettore XLR), lettore CD/USB – MP3/WMA e sintonizzatore radio integrati, 2 ingressi ausiliari (uno sul retro con doppio connettore RCA, uno sul lettore CD/USB – MP3/WMA frontale con connettore jack 1/8") per riproduttori musicali esterni.

La potenza nominale dell'amplificatore è 320 W, ripartibile liberamente su 3 uscite separate 100 – 70 V (3 zone di sistema, per diffusori acustici con trasformatore).

Sono inoltre disponibili un'uscita comune diretta (100 – 70 V) ed un'uscita monitor a bassa impedenza (min. 4 Ω, potenza max.: 2 W).

Come espansione (opzionale) del sistema, è prevista la connessione di un secondo amplificatore generico (di potenza adeguata al carico dei diffusori, ad esempio RCF UP 2321) per il mantenimento della musica di sottofondo nelle zone non interessate dagli annunci microfonic; nel funzionamento con doppio amplificatore, è possibile inviare il segnale musicale all'amplificatore interno (ES 3323) oppure a quello esterno addizionale.

Sul pannello frontale, sono presenti 3 tasti "PAGING" (assegnabili al solo ingresso 1 o 4) per l'attivazione selettiva delle zone durante un annuncio (più un tasto per la chiamata generale).

Nel funzionamento con doppio amplificatore e senza eventi attivi di priorit , questi 3 tasti attivano la diffusione del segnale miscelato degli ingressi 1, 2, 3, 4 nelle rispettive zone.

Sono inoltre presenti 3 tasti "MUSIC" per l'attivazione della musica (o la miscelazione di tutti gli ingressi, in assenza di eventi prioritari nel funzionamento a singolo amplificatore) nelle rispettive zone.

Un circuito di rilevazione del segnale ("VOX") con funzione di attivazione della priorit  è presente sull'ingresso 1.

Tutti gli ingressi 1, 2, 3 e 4 possono ottenere la priorit  tramite un comando esterno (collegato al connettore rimovibile); gli ingressi 2 e 3 hanno inoltre un connettore RJ 45 per la rapida connessione (tramite cavo CAT5) di una base microfonica dedicata BM 3001 oppure BM 3003 o una catena di BM 3003 (max. 12, utilizzando un alimentatore supplementare).

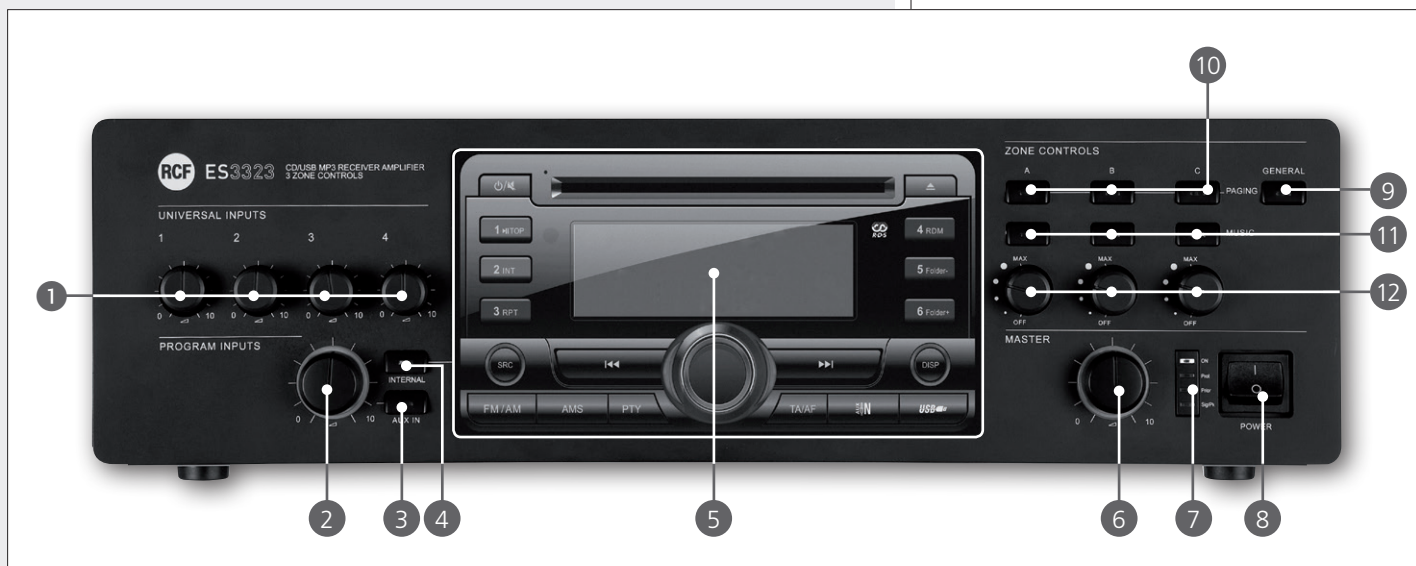
Una porta USB sul pannello frontale permette di utilizzare una chiave apposita (una memoria, "USB flash drive") per la riproduzione di file MP3 / WMA.

È inoltre possibile abbinare un dispositivo "Bluetooth" (es. un telefono cellulare) al lettore CD / MP3 / WMA.

Sono presenti delle uscite ausiliarie per inviare il segnale delle sorgenti musicali interne ed esterne ad amplificatori addizionali oppure ad una centrale telefonica (come musica di attesa).

I 4 ingressi universali hanno un controllo comune di "presenza" e filtri passa-alto (inseribili separatamente) utili per migliorare l'intelligibilit  della voce; la sorgente musicale interna (lettore CD/USB – MP3/WMA e sintonizzatore radio) e l'ingresso ausiliario AUX INPUT sul retro hanno controlli di tono separati.

Sono presenti indicatori luminosi relativi allo stato dell'apparecchio (ON, PROT), all'attivata del circuito di priorit  (PRIOR) ed al livello del segnale audio (SIG/PK).



IMPORTANTE: dopo aver premuto un tasto tra AUX IN (3), INTERNAL (4), GENERAL (9), PAGING (10), MUSIC (11), occorre attendere circa 10 secondi affinché le modifiche alla configurazione siano attuate.

1 Controlli del volume di ciascun ingresso universale 1, 2, 3, 4

NOTA: NEL CASO UNO O PIÙ INGRESSI NON SIANO UTILIZZATI, LASCIARE I RELATIVI CONTROLLI A 0.

2 Controllo di volume dell'ingresso ausiliario AUX INPUT (21)

NOTA: LASCIARE IL CONTROLLO A 0 NEL CASO CHE L'INGRESSO AUSILIARIO NON SIA UTILIZZATO.

3 Pulsante AUX IN con indicatore luminoso

Attiva (LED acceso) o disattiva l'ingresso ausiliario AUX INPUT (21) verso l'amplificatore interno e le uscite audio PRE OUT (23) e MUSIC OUT (26).

La sua attivazione esclude automaticamente (se presente) il segnale del lettore CD/USB MP3 – sintonizzatore radio (l'indicatore luminoso del pulsante INTERNAL (4) si spegne).

IL SEGNALE PRESENTE ALL'INGRESSO AUX INPUT È SEMPRE RIPORTATO SULL'USCITA MUSIC ON HOLD (24) (NON SOGGETTA AL CONTROLLO DEL PULSANTE AUX IN).

4 Pulsante INTERNAL con indicatore luminoso

Attiva (LED acceso) o disattiva il segnale del lettore CD/USB MP3 – sintonizzatore radio integrato verso l'amplificatore interno e le uscite audio PRE OUT (23) e MUSIC OUT (26). La sua attivazione esclude automaticamente (se presente) il segnale dell'ingresso ausiliario AUX INPUT (l'indicatore luminoso del pulsante AUX IN (3) si spegne).

IL SEGNALE DEL LETTORE CD/USB MP3 – SINTONIZZATORE RADIO È SEMPRE RIPORTATO SULL'USCITA INTERNAL PROGRAM (22) (NON SOGGETTA AL CONTROLLO DEL PULSANTE INTERNAL (4)).

TRASCORSI 10 SECONDI DOPO AVER PREMUTO UNO DEI 2 PULSANTI (AUX IN OPPURE INTERNAL), L'ULTIMA SELEZIONE È AUTOMATICAMENTE MEMORIZZATA.

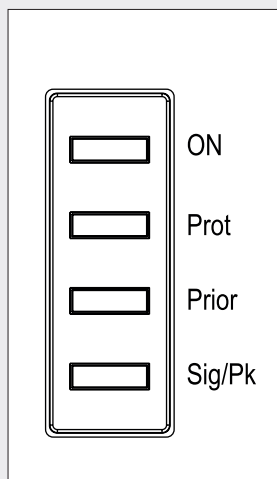
5 Lettore CD/USB – MP3 e sintonizzatore radio (per l'uso, vedere la relativa sezione del manuale).

6 Controllo di volume principale (MASTER) dell'amplificatore interno.

NOTA: TUTTE LE USCITE SU CONNETTORI RCA (INTERNAL PROGRAM, MUSIC ON HOLD, PRE OUT, MUSIC OUT, PAGING OUT) NON SONO SOGGETTE A QUESTO CONTROLLO.



7 Indicatori luminosi (LED)



ON verde: l'apparecchio è acceso

PROT rosso: l'apparecchio è in protezione per sovraccarico

arancio: l'apparecchio è in protezione per riscaldamento eccessivo

PRIOR giallo: indica l'inserimento di qualsiasi priorità (VOX, ingressi univ., SEQ. CMD.).

SIG/PK verde: il livello del segnale audio è superiore ad almeno -15 dB

verde + rosso: il livello del segnale audio è compreso tra 0 e $+2$ dB

rosso: il livello del segnale audio è uguale o superiore a $+3$ dB

0 dB = LIVELLO DEL SEGNALE CHE PERMETTE DI OTTENERE LA MASSIMA POTENZA EROGATA DALL'AMPLIFICATORE.

IL CIRCUITO "LIMITER" INTERNO EVITA IL SUPERAMENTO DELLA POTENZA MASSIMA DELL'AMPLIFICATORE, TUTTAVIA È CONSIGLIABILE ABBASSARE IL VOLUME MASTER (OPPURE IL SINGOLO VOLUME DI UN SEGNALE ECCESSIVO) QUANDO IL LED SIG/PK È COSTANTEMENTE ROSSO.

8 Interruttore principale dell'apparecchio POWER (0 = spento; 1 = acceso)

9 Tasto **GENERAL**

Se attivo, preconfigura la selezione di tutte le 3 zone per gli annunci, i quali saranno diffusi al volume massimo possibile (funzione "override") a prescindere dalle regolazioni degli attenuatori 12.

CON IL TERMINE "OVERRIDE" SI INTENDE LA DIFFUSIONE DEL SEGNALE SENZA IL CONTROLLO DI LIVELLO DEGLI ATTENUATORI 12.

10 Tasti **PAGING** (uno per ciascuna zona)

Se attivo, ciascun tasto preconfigura la selezione (per il solo ingresso 1 o 4) della rispettiva zona per gli annunci. Nel funzionamento con doppio amplificatore e senza eventi attivi di priorità, questi 3 tasti attivano la diffusione del segnale miscelato degli ingressi 1, 2, 3, 4 nelle rispettive zone.

11 Tasti **MUSIC** (uno per ciascuna zona)

Se attivo, ciascun tasto invia la musica (lettore interno / ingresso ausiliario AUX INPUT) o la miscelazione di tutti gli ingressi in assenza di eventi prioritari (nel funzionamento a singolo amplificatore) nella rispettiva zona.

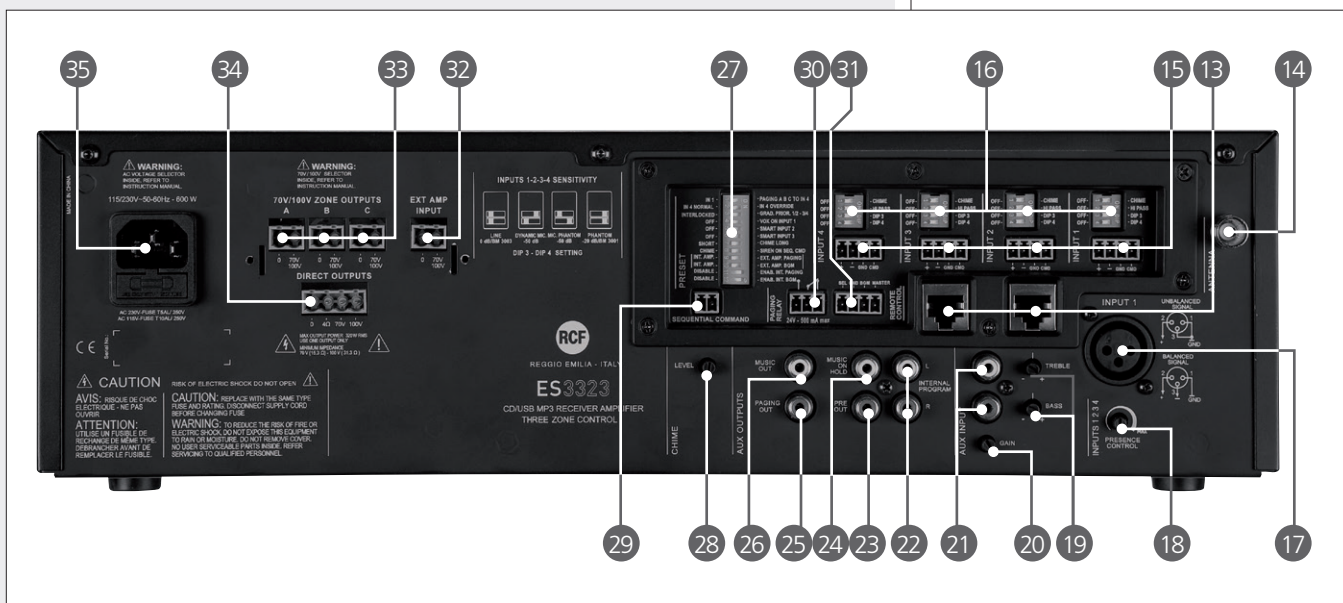
12 Attenuatori (uno per ciascuna zona)

Ciascun attenuatore (5 posizioni + off) agisce sulla potenza erogata nella rispettiva uscita separata 70 V / 100 V ZONE OUTPUTS 33.

I 3 ATTENUATORI NON MODIFICANO LA POTENZA DELL'USCITA AMPLIFICATA COMUNE DIRETTA DIRECT OUTPUTS, CHE RIMANE SEMPRE AL LIVELLO MASSIMO POSSIBILE.

UN EVENTO PRIORITARIO CON FUNZIONE "OVERRIDE" (ES. UN ANNUNCIO IMPORTANTE CHE DEVE ESSERE INVIATO AD ALTO VOLUME ANCHE NELLE ZONE DOVE LA POTENZA È RIDOTTA DAGLI ATTENUATORI) È SEMPRE DIFFUSO CON IL VOLUME MASSIMO POSSIBILE, A PRESCINDERE DALL'IMPOSTAZIONE DEGLI ATTENUATORI.





13 2 ingressi relativi ai canali 2 e 3 con prese RJ 45. A ciascun ingresso si può collegare: una sola base microfonica dedicata BM 3001 oppure una sola base microfonica BM 3003 (3 zone) oppure una catena di max. 12 BM 3003, utilizzando un alimentatore supplementare.

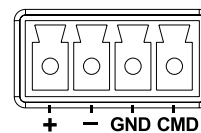
NOTA RIGUARDO L'IMPOSTAZIONE DEI MICROINTERRUTTORI ("DIP-SWITCH") 3 E 4 (VEDERE IL PUNTO 16): NEL CASO SIA COLLEGATA UNA BASE MICROFONICA BM 3001, È NECESSARIO IMPOSTARE LA MODALITÀ "LINEA CON PHANTOM" (DIP 3 E 4 SU ON); NEL CASO SIANO COLLEGATE UNA O PIÙ BASI MICROFONICHE BM 3003, È NECESSARIO IMPOSTARE LA MODALITÀ "LINEA" (DIP 3 E 4 SU OFF).

14 Presa per antenna (necessaria al funzionamento del sintonizzatore radio).

15 4 ingressi audio bilanciati con prese per connettori rimovibili relativi ai canali 1, 2, 3, 4.

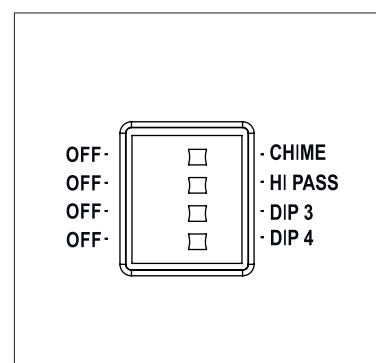


- + Ingresso audio positivo
- Ingresso audio negativo
- GND massa
- CMD comando per ottenere la priorità quando connesso a massa (GND)



16 Ciascun canale dispone di 4 microinterruttori "dip-switch":

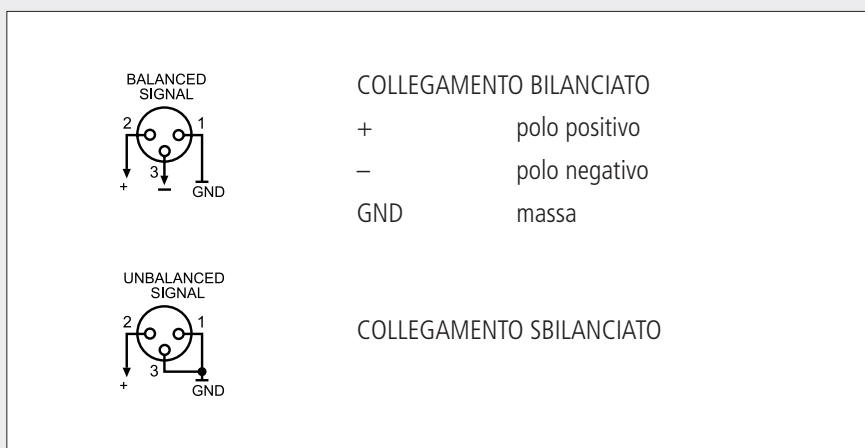
1	OFF – CHIME	OFF: la melodia di preavviso "chime" è disattivata.	CHIME: (ON) la melodia di preavviso "chime" si attiva durante un evento di priorità.
2	OFF – HI PASS	OFF: il filtro passa-alto dell'ingresso audio è disinserito (risposta in frequenza lineare).	HI PASS: (ON) il filtro passa-alto dell'ingresso audio è inserito.
3	OFF – DIP 3	OFF: vedere la tabella successiva.	DIP 3: (ON) vedere la tabella successiva.
4	OFF – DIP 4	OFF: vedere la tabella successiva.	DIP 4: (ON) vedere la tabella successiva.



Impostazione dei microinterruttori 3 e 4:

DIP 3	DIP 4	MODO	SENSIBILITA' D'INGRESSO	ESEMPLI DI POSSIBILI COLLEGAMENTI
OFF	OFF	LINEA	0 dBu	Base microfonica BM 3003, lettore CD/MP3, radio, riproduttore di messaggi, centrale telefonica
ON	ON	LINEA con PHANTOM	- 20 dBu	Base microfonica BM 3001
ON	OFF	MIC.	- 50 dBu	Microfono dinamico
OFF	ON	MIC. con PHANTOM	- 50 dBu	Microfono ad elettrete

17 Ingresso audio canale 1 con connettore XLR:



18 Controllo di "presenza" (toni medi, $f = 2,15$ kHz) PRESENCE CONTROL comune per gli ingressi 1 ÷ 4.

19 Controlli di tono TREBLE (alti) e BASS (bassi) dell'ingresso ausiliario AUX INPUT.

20 Controllo di guadagno GAIN dell'ingresso ausiliario AUX INPUT.

21 Ingresso audio ausiliario AUX INPUT con doppio connettore RCA.

I DUE CANALI DEL SEGNALE STEREO PRESENTE ALL'INGRESSO AUX INPUT SONO SOMMATI IN MONO ALL'INTERNO DELL'APPARECCHIO.

22 Uscita audio stereo con doppio connettore RCA (L: canale sinistro; R: canale destro) INTERNAL PROGRAM riportante il segnale diretto del lettore CD/USB – MP3 e sintonizzatore radio.

23 Uscita audio (con connettore RCA) PRE OUT, riportante lo stesso segnale inviato all'amplificatore di potenza interno (segnale che può essere un evento prioritario oppure la miscelazione dei canali 1, 2, 3, 4 e della sorgente musicale selezionata).

L'USCITA PRE OUT È UTILE AL FINE DI COLLEGARE UNA O PIÙ UNITÀ DI POTENZA ESTERNE ADDIZIONALI.

24 Uscita audio (con connettore RCA) MUSIC ON HOLD, riportante lo stesso segnale (ma in mono) presente all'ingresso ausiliario AUX INPUT.

L'USCITA MUSIC ON HOLD (SE È COLLEGATA UNA SORGENTE MUSICALE ESTERNA ALL'INGRESSO AUX INPUT) E/O L'USCITA INTERNAL PROGRAM POSSONO ESSERE USATE PER IL COLLEGAMENTO AD UNA CENTRALE TELEFONICA IN MODO DA OTTENERE LA "MUSICA D'ATTESA".



25 Uscita audio (con connettore RCA) PAGING OUT

All'uscita PAGING OUT, è presente la miscelazione dei canali 1,2,3,4 (senza eventi di priorità in corso) o il singolo ingresso (1 ÷ 4) attivato da priorità o la melodia di preavviso "CHIME" (attivata da qualunque priorità, se abilitata) o il suono impostato per il comando SEQUENTIAL COMMAND **29**.

L'uscita è utilizzabile per il collegamento dell'amplificatore supplementare (se destinato all'amplificazione degli annunci microfoni e/o alla diffusione degli ingressi 1÷4).

Il controllo principale MASTER **6** e quello remoto (REMOTE CONTROL MASTER **31**) del volume non hanno effetto su questa uscita.

IL LIVELLO DEL SEGNALE DEGLI INGRESSI 1 ÷ 4 DIPENDE DAL RELATIVO VOLUME DI CANALE **1**, QUELLO DELLA MELODIA DI PREAVVISO "CHIME" DAL CONTROLLO CHIME LEVEL **28** POSTO SUL RETRO; IL LIVELLO DELLA SIRENA È FISSO.

**26** Uscita audio (con connettore RCA) MUSIC OUT

All'uscita MUSIC OUT, è presente il segnale della sorgente musicale selezionata (lettore CD/USB – MP3 e sintonizzatore radio interno, ingresso AUX INPUT **21**, nessuna).

Il livello dipende sia dalla regolazione del volume del lettore interno (o dal volume AUX **2** ed il relativo GAIN **20** sul pannello posteriore per l'ingresso AUX INPUT) sia dall'eventuale potenziometro per il controllo remoto (morsetto: REMOTE CONTROL BGM **31**).

L'uscita è utilizzabile per il collegamento dell'amplificatore supplementare (se destinato all'amplificazione della musica).

27 12 microinteruttori "dip-switch" PRESET per le impostazioni di sistema:

1.	IN 1 – PAGING A B C TO IN 4	IN 1: assegna i 3 tasti di selezione zone "PAGING" (del pannello frontale) al canale 1.	PAGING A B C TO IN 4: assegna i 3 tasti di selezione zone "PAGING" (del pannello frontale) al canale 4.
2.	IN 4 NORMAL – IN 4 OVERRIDE	IN 4 NORMAL: il canale 4 (se prioritario) è diffuso con volume soggetto agli attenuatori }.	IN 4 OVERRIDE: il canale 4 (se prioritario) è diffuso con volume non soggetto agli attenuatori }.
3.	INTERLOCKED – GRAD. PRIOR. 1/2-3/4	INTERLOCKED: impostazione del modo di priorità interbloccata.	GRADUATED PRIORITY 1/2–3/4: impostazione del modo di priorità scalare.
4.	OFF – VOX ON INPUT 1	OFF: disattivazione della funzione "VOX" del canale 1.	VOX ON INPUT 1: attivazione della funzione "VOX" del canale 1 (attivazione automatica della priorità quando è rilevato un segnale all'ingresso audio INPUT 1).
5.	OFF – SMART INPUT 2	OFF: la priorità del canale 2 rimane attiva solo quando il relativo comando è presente. Nota: impostare su OFF se all'ingresso 2 sono collegate 1 o più basi microfoniche BM 3003.	SMART INPUT 2: la priorità del canale 2 è controllata da un interruttore elettronico interno bi-stabile (on / off) che commuta ad ogni comando ad impulso.

6.	OFF – SMART INPUT 3	OFF: La priorità del canale 3 rimane attiva solo quando il relativo comando è presente. Nota: impostare su OFF se all'ingresso 3 sono collegate 1 o più basi microfoniche BM 3003.	SMART INPUT 3: la priorità del canale 3 è controllata da un interruttore elettronico interno bi-stabile (on / off) che commuta ad ogni comando ad impulso.
7.	SHORT – CHIME LONG	SHORT: selezione del primo tipo (corto) della melodia di preavviso CHIME.	CHIME LONG: selezione del secondo tipo (lungo) della melodia di preavviso CHIME.
8.	CHIME – SIREN ON SEQ. CMD	CHIME: utilizzo della melodia di preavviso ("chime"), impostata tramite il dip-switch nr.7, quando si attiva il comando "SEQUENTIAL COMMAND"	SIREN ON SEQ.CMD: utilizzo di un segnale d'allarme quando si attiva il comando "SEQUENTIAL COMMAND".
9.	INT. AMP. – EXT. AMP. PAGING	Vedere la tabella successiva (dip 9 e 10) INT. AMP.: dip-switch 9 OFF	Vedere la tabella successiva (dip 9 e 10) EXT. AMP. PAGING: dip-switch 9 ON
10.	INT. AMP. – EXT. AMP. BGM	Vedere la tabella successiva (dip 9 e 10) INT. AMP.: dip-switch 10 OFF	Vedere la tabella successiva (dip 9 e 10) EXT. AMP. BGM: dip-switch 10 ON
11.	DISABLE – ENAB. INT. PAGING	DISABLE: (OFF) disabilita il segnale degli ingressi 1÷4, il CHIME e la sirena verso l'amplificatore interno.	ENAB. INT. PAGING: (ON) abilita il segnale degli ingressi 1÷4, il CHIME e la sirena verso l'amplificatore interno.
12.	DISABLE – ENAB. INT. BGM	DISABLE: (OFF) disabilita il segnale della sorgente musicale selezionata verso l'amplificatore interno.	ENAB. INT. BGM: (ON) abilita il segnale della sorgente musicale selezionata verso l'amplificatore interno.

DIP 9	DIP 10	MODALITÀ DI FUNZIONAMENTO
OFF	OFF	ES 3323 funziona come amplificatore unico per annunci e musica.
ON	OFF	Doppia amplificazione: ES 3323 per la musica, l'amplificatore esterno addizionale per gli annunci.
OFF	ON	Doppia amplificazione: ES 3323 per gli annunci, l'amplificatore esterno addizionale per la musica.
ON	ON	ES 3323 funziona come amplificatore unico per annunci e musica.

IMPOSTAZIONE DEI DIP-SWITCH 11 E 12	DIP 11	DIP 12
L'amplificatore addizionale esterno non è previsto (ES 3323 funziona come amplificatore unico).	ON	ON
Doppia amplificazione: ES 3323 per la musica, l'amplificatore esterno addizionale per gli annunci.	OFF	ON
Doppia amplificazione: ES 3323 per gli annunci, l'amplificatore esterno addizionale per la musica.	ON	OFF

L'ATTUAZIONE DI QUALSIASI SELEZIONE (EFFETTUATA TRAMITE "DIP-SWITCH") AVVIENE SOLO ALLA FINE DI UN EVENTO PRIORITARIO (ES. UN ANNUNCIO) O ALL'ACCENSIONE DELL'APPARECCHIO.



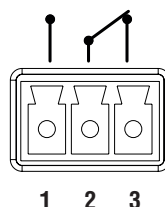
28 Controllo (trimmer regolabile tramite un piccolo cacciavite) CHIME LEVEL del volume della melodia di preavviso "chime".

29 Comando SEQUENTIAL COMMAND con connettore rimovibile (attivo quando i due contatti sono cortocircuitati) per l'invio ripetitivo ed al massimo del volume della melodia di preavviso "chime" (selezionabile tramite il dip-switch nr.7, vedere la tabella al punto 27) oppure di un segnale d'allarme (selezionabile tramite il dip-switch nr.8, vedere la tabella al punto 27).

30 Contatti di un relè interno PAGING RELAY (tramite connettore rimovibile a 3 poli) per la segnalazione della funzione di priorità attiva.

- 1 – contatto normalmente aperto
- 2 – contatto comune
- 3 – contatto normalmente chiuso

Max. tensione applicabile ai contatti: 24 V; portata: 0,5 A.



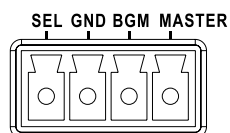
31 Terminale con contatti "REMOTE CONTROL" per i controlli remoti

SEL: selezione sorgente musicale (se posto a massa)

GND: massa comune

BGM: volume della musica

MASTER: volume generale



REGOLAZIONE REMOTA DEL VOLUME

La regolazione è indipendente per il volume generale ("MASTER") e quello della sola musica ("BGM") e si ottiene collegando un potenziometro remoto (che funge da reostato) tra il contatto relativo e la massa "GND".

Cambiando il valore nominale del potenziometro, è possibile stabilire il campo di azione desiderato rispetto all'impostazione principale sul pannello frontale: più è alto il valore, maggiore risulta il campo regolato. I valori possono spaziare tipicamente da 10 kΩ a 100 kΩ; l'intervento ottimale lo si ottiene con un potenziometro a curva logaritmica inversa, ma è accettabile anche uno con risposta lineare. La regolazione remota della musica è relativa alla sorgente attivata (interna o esterna).

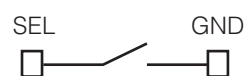
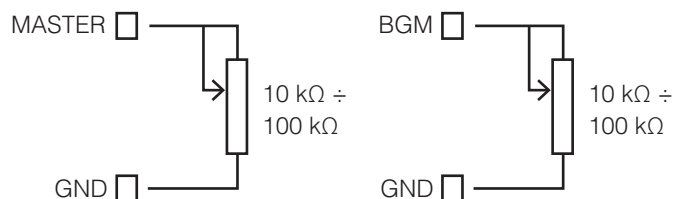
L'escursione massima ottenibile è circa 40 dB relativa al segnale preimpostato dalle regolazioni principali.

IMPORTANTE: SE NON È PREVISTO L'INSERIMENTO DI UN POTENZIOMETRO PER IL CONTROLLO REMOTO, È NECESSARIO PORRE IN CORTOCIRCUITO IL RELATIVO CONTATTO VERSO MASSA (TRAMITE UN CONDUTTORE), ALTRIMENTI IL VOLUME GENERALE (MASTER) E/O QUELLO DELLA MUSICA (BGM) SONO POSTI A ZERO.

SELEZIONE REMOTA DELLA SORGENTE MUSICALE

Si ottiene collegando un pulsante tra i contatti SEL e GND.

La selezione è, a rotazione, tra lettore CD/USB – MP3 e sintonizzatore radio interno, ingresso AUX INPUT 21 e nessuna sorgente musicale.



32 Ingresso EXT AMP INPUT per la linea a tensione costante 100 – 70 V in uscita dall'amplificatore addizionale.

33 Uscite separate ZONE OUTPUTS (una per zona) a tensione costante 100 – 70 V per il collegamento dei diffusori acustici. Vedere la sezione “Collegamento dei diffusori acustici”.

34 Uscite dirette DIRECT OUTPUTS (senza selezione zone) di potenza (max. 320 W) per diffusori con collegamento a tensione costante (100 – 70 V). E' inoltre presente un'uscita a bassa impedenza (4 Ω), con potenza max. 2 W, per il collegamento di un monitor.

35 Connettore con fusibile per l'alimentazione principale da rete. Prima di effettuare il collegamento, verificare che la tensione di rete corrisponda a quella impostata (230 V oppure 115 V) nell'apparecchio.

NOTA: IL TIPO DI FUSIBILE DA UTILIZZARSI È SPECIFICATO SUL PANNELLO POSTERIORE (SOTTO IL CONNETTORE).



MODALITÀ DI FUNZIONAMENTO



ES 3323 PUÒ FUNZIONARE IN TRE DIVERSE MODALITÀ:

1. SINGOLA: come unico amplificatore sia per gli annunci, sia per la musica, la quale non sarà diffusa nelle zone non selezionate durante un evento prioritario in corso;
2. DOPPIA AMPLIFICAZIONE “A”: è previsto il collegamento ad un amplificatore esterno addizionale (es. RCF UP 2321) dedicato per i soli annunci (mentre quello interno è utilizzato per la diffusione della sola musica);
3. DOPPIA AMPLIFICAZIONE “B”: è previsto il collegamento ad un amplificatore esterno addizionale (es. RCF UP 2321) dedicato per la sola musica (mentre quello interno è utilizzato per la diffusione dei soli annunci).

CON IL TERMINE “VOX”, SI INTENDE UN CIRCUITO INTERNO ALL'APPARECCHIO CHE ATTIVA AUTOMATICAMENTE LA PRIORITÀ DEL CANALE 1 QUANDO È RILEVATO UN SEGNALE ALL'INGRESSO AUDIO INPUT 1.



FUNZIONAMENTO IN MODALITÀ SINGOLA



FUNZIONAMENTO SENZA EVENTI DI PRIORITÀ ATTIVI

(all'accensione dell'apparecchio oppure al termine di un evento prioritario).

In assenza di qualsiasi comando di priorità attivo (oppure del VOX o del comando SEQUENTIAL COMMAND 29), si ha la miscelazione dei canali 1, 2, 3, 4, insieme all'eventuale sorgente musicale selezionata e memorizzata, la quale può essere: interna (il lettore CD/USB – MP3 e sintonizzatore radio); il segnale presente all'ingresso ausiliario AUX INPUT 21; nessuna.

Il segnale miscelato è inviato solo alle zone selezionate tramite i 3 tasti MUSIC 11 sul pannello frontale.

Il volume generale si imposta tramite il controllo MASTER 6.

Il volume di ciascun ingresso da 1 a 4 è regolato separatamente dai controlli 1, 2, 3, 4 1.

Il volume della musica dipende dal controllo del lettore CD/USB – MP3 e sintonizzatore radio nel caso sia selezionata tale sorgente, oppure dal controllo di volume 2 dell'ingresso ausiliario AUX IN posto sul pannello frontale dell'apparecchio; il volume dell'ingresso ausiliario AUX INPUT 21 dipende anche dall'impostazione del relativo controllo di guadagno GAIN 20 posto sul pannello posteriore.

LA SORGENTE MUSICALE (INTERNA O ESTERNA) PUÒ ESSERE ATTIVATA/DISATTIVATA TRAMITE I PULSANTI **3** **4** POSTI SUL PANNELLO FRONTALE.

PROCEDERE SECONDO QUEST'ORDINE:

- a. assicurarsi che i "dip-switch" PRESET **29** 9 e 10 siano entrambi su OFF (o entrambi su ON);
- b. assicurarsi che i "dip-switch" PRESET **29** 11 e 12 siano entrambi su ON;
- c. impostare (momentaneamente) il volume MASTER [6] circa a metà corsa;
- d. selezionare una sorgente musicale (interna o AUX IN) tramite gli appositi tasti **3** **4**;
- e. selezionare le zone dove diffondere la musica tramite i 3 tasti MUSIC **11**;
- f. regolare il volume della musica (tramite il volume del lettore CD/USB – MP3 e sintonizzatore radio oppure dal controllo di volume **2** dell'ingresso ausiliario AUX IN);
- g. se si utilizzano le uscite separate per zona **33**, mettere temporaneamente gli attenuatori **12** su MAX. (non necessario se si utilizza una delle uscite DIRECT OUTPUTS **34**);
- h. regolare il VOLUME MASTER per ottenere il livello desiderato;
- i. se necessario, attenuare il livello di uscita di ciascuna zona mediante gli attenuatori **12**;
- j. regolare i volumi **1** degli ingressi 1 ÷ 4 se utilizzati.

NOTA: SI SUPPONE CHE NON SIANO INSTALLATI I POTENZIOMETRI PER IL CONTROLLO REMOTO DEL VOLUME O, SE INSTALLATI, SIANO TEMPORANEAMENTE REGOLATI AL MASSIMO.



PRIORITÀ



IL COMANDO DI PRIORITÀ SI OTTIENE:

- per i canali da 1 a 4, collegando (nei connettori rimovibili **15**) il relativo contatto CMD a massa (GND); la priorità resta attiva se la connessione è stabile (con l'eccezione della funzione "SMART" degli ingressi 2 e 3);
- per il solo canale 1 tramite funzione VOX (se abilitata);
- mediante le basi microfoniche BM 3003 oppure BM3001 collegate ai connettori "RJ" **13** dei canali 2 e 3, tenendo presente che, se la linea è impegnata, non può essere utilizzata la priorità o l'audio sul morsetto rimovibile relativo (onde evitare malfunzionamenti);
- tramite il comando SEQUENTIAL COMMAND **29**.

In presenza di qualsiasi comando di priorità attivo (oppure del VOX), sulle uscite dirette DIRECT OUTPUTS **34** per diffusori acustici è disponibile il solo segnale del canale attivato e prioritario (tra gli ingressi 1÷4, le basi microfoniche BM 3003 o BM 3001 ed il comando SEQUENTIAL COMMAND); la sorgente musicale selezionata e gli altri ingressi non sono diffusi, nemmeno nelle uscite separate per zona **33**.

Durante l'attivazione del comando di priorità, il LED "PRIOR" **7** si accende ed il segnale audio inviato all'uscita PRE OUT **23** sarà solo quello del canale prioritario attivo.

LA MODALITÀ DI ATTUAZIONE DELLA PRIORITÀ (INCLUSA LA FUNZIONE VOX) È IMPOSTATA TRAMITE IL DIP-SWITCH 3 DEL GRUPPO PRESET 27:

DIP 3	MODO	
INTERLOCKED	INTERBLOCCATO	È accettato solo il comando di priorità attivato per primo in uno dei 4 canali (eventualmente anche la funzione VOX, se abilitata mediante il dip-switch 4 PRESET 27). Nessun altro comando di priorità sarà accettato fino a quando non sarà rimosso quello precedente. Nota: l'unico evento che può sempre inserirsi successivamente (ed annullare una priorità precedente) è il comando SEQUENTIAL COMMAND 29.
GRAD. PRIOR. 1/2-3/4	PRIORITA' SCALARE	Un evento con priorità più alta ha la precedenza (anche se attivato in successione). L'ordine di priorità è: 1. (più alta) comando SEQUENTIAL CMD. 2. canale 1 (inclusa la funzione VOX) 3. canali 2 e 3 (interbloccati tra loro) 4. canale 4

Al termine di un evento di priorità, il sistema ripristinerà le condizioni iniziali (la miscelazione dei canali 1, 2, 3, 4, più l'eventuale sorgente musicale selezionata, a meno che non sia stata attivata nel frattempo una nuova priorità).

Per quanto riguarda la diffusione di annunci selettivi sulle 3 zone A, B, C (uscite separate ZONE OUTPUTS 33), si deve considerare:

- lo stato dei pulsanti PAGING 10, GENERAL 9 sul pannello frontale;
- l'impostazione dei "dip-switch" 1 e 2 del gruppo PRESET 27 sul pannello posteriore;
- il dispositivo che richiede l'attivazione (ad esempio, tramite base microfonica BM 3001 si effettuano solo chiamate generali, mentre la BM 3003 permette la selezione delle zone).

Va tenuta inoltre presente l'impostazione degli attenuatori di zona 12 che regolano la potenza diffusa sulle uscite separate 70 V / 100 V ZONE OUTPUTS 33 (ma non delle uscite dirette DIRECT OUTPUTS 34 e dell'amplificatore esterno eventualmente collegato).

Il segnale audio di un evento prioritario classificato come "override" è sempre diffuso sulle uscite separate al massimo del volume impostato, senza subire il controllo degli attenuatori; il segnale audio di un evento prioritario "normale" è controllato anche dagli attenuatori.

CON IL TERMINE "OVERRIDE" SI INTENDE LA DIFFUSIONE DEL SEGNALE SENZA IL CONTROLLO DI LIVELLO DEGLI ATTENUATORI 12.

LA DIFFUSIONE DEGLI ANNUNCI SULLE 3 ZONE È SOGGETTA ALLE SEGUENTI REGOLE:

1. Se il tasto GENERAL **9** è attivo, quando l'attivazione della priorità avviene da uno dei canali 1 ÷ 4 oppure da una base microfonica BM3001, la diffusione dell'annuncio è generale (su tutte le 3 zone) in modo OVERRIDE (a prescindere da qualunque altra impostazione).
2. Durante l'attivazione della priorità dai canali 2 e 3 (oppure da una base microfonica BM 3001 collegata all'ingresso 2 o 3) o del comando SEQUENTIAL COMMAND **29**, la diffusione dell'annuncio (o del segnale d'allarme) è generale (su tutte le 3 zone) in modo OVERRIDE (a prescindere da qualunque altra impostazione).
3. Le basi microfoniche BM 3003 (collegate agli ingressi 2 e 3) possono sempre selezionare le zone da attivare (in modo OVERRIDE).
4. Durante l'attivazione della priorità del canale 1, la diffusione avviene sempre in modalità OVERRIDE; la selezione delle zone dipende dal "dip-switch" 1 del gruppo PRESET **27** e dai tasti frontali PAGING **10**:
 - se il DIP 1 è impostato su "PAGING A B C TO IN 4", l'annuncio è sempre generale (a prescindere dalla selezione dei tasti PAGING);
 - se il DIP 1 è impostato su "IN 1", l'annuncio è selettivo verso le zone selezionate dai tasti PAGING (nota: se non si effettua la selezione di almeno una zona, l'annuncio è diffuso solo sulle uscite dirette DIRECT OUTPUTS **34**).
5. Durante l'attivazione della priorità del canale 4, la diffusione può avvenire in modo normale oppure OVERRIDE a seconda dell'impostazione del "dip-switch" 2 del gruppo PRESET **27** (e del tasto frontale GENERAL **9**); la selezione delle zone dipende dal "dip-switch" 1 del gruppo PRESET **27** e dai tasti frontali PAGING **10**:
 - se il DIP 1 è impostato su "IN 1", l'annuncio è sempre generale (a prescindere dalla selezione dei tasti PAGING);
 - se il DIP 1 è impostato su "PAGING A B C TO IN 4", l'annuncio è selettivo verso le zone selezionate dai tasti PAGING (nota: se non si effettua la selezione di almeno una zona, l'annuncio è diffuso solo sulle uscite dirette DIRECT OUTPUTS **34**).

TABELLA DI CORRELAZIONE TRA COMANDO DI PRIORITÀ ATTIVO E ZONE ATTIVATE:

COMANDO DI PRIORITÀ ATTIVO	dip-switch 1 (assegna tasti "paging")	dip-switch 2 (in.4 "override")	tasto "general"	zone attivate	modo (normale / "override")
BASE MIC. BM 3003				zone selezionate sulla base mic. BM 3003	override
INGRESSO 1	IN 4			tutte	override
	IN 1		ON	tutte	
			OFF	zone selezionate tramite i tasti "paging" 10	
INGRESSO 2, INGRESSO 3, BASE MIC. BM 3001				tutte	override
INGRESSO 4	IN 4		ON	tutte	override
			OFF	zone selezionate tramite i tasti "paging" 10	normale
			OFF		
	IN 1		ON	tutte	override
			OFF		normale
			OFF		
COMANDO SEQUENTIAL COMMAND				tutte	override

FUNZIONAMENTO CON DOPPIA AMPLIFICAZIONE ("A")



In questa modalità, è previsto il collegamento ad un amplificatore esterno addizionale (es. RCF UP 2321) dedicato per i soli annunci (mentre quello interno è utilizzato per la diffusione della sola musica).

ES 3323: MUSICA AMPLIFICATORE ESTERNO: ANNUNCI

Per i collegamenti e le impostazioni necessari: vedere la sezione "Collegamento dell'amplificatore esterno addizionale", paragrafo "A".

IN ASSENZA DI EVENTI CON PRIORITÀ:

- la musica (sorgente sonora interna od esterna) è diffusa in tutte le zone aventi il tasto MUSIC 11 attivato (o entrambi i tasti MUSIC 11 e PAGING 10 attivati);
- tutte le zone con il solo tasto PAGING 11 attivato diffondono la miscelazione dei canali da 1 a 4 (tramite l'amplificatore esterno).

Durante un evento con priorità (es. un annuncio), la diffusione del segnale prioritario nelle 3 zone ha luogo nei modi già descritti nella sezione precedente del manuale "Funzionamento in modalità singola", **ad eccezione della funzione OVERRIDE (in quanto il livello del segnale prioritario dipende dalle impostazioni del volume dell'amplificatore esterno).**

La musica rimane presente (se attivata) nelle zone non interessate dall'evento prioritario.

DURANTE UN EVENTO DI PRIORITÀ, NELLE ZONE CON IL SOLO TASTO PAGING 11 ATTIVATO È INVIATO SOLAMENTE IL SEGNALE PRIORITARIO (E NON LA MISCELAZIONE DEI CANALI 1 ÷ 4).





In questa modalità, è previsto il collegamento ad un amplificatore esterno addizionale (es. RCF UP 2321) dedicato per la sola musica (mentre quello interno è utilizzato per la diffusione dei soli annunci).

ES 3323: ANNUNCI

AMPLIFICATORE ESTERNO: MUSICA

Per i collegamenti e le impostazioni necessari: vedere la sezione "Collegamento dell'amplificatore esterno addizionale", paragrafo "B".

IN ASSENZA DI EVENTI CON PRIORITÀ:

- la musica (sorgente sonora interna od esterna, inviata da ES 3323 e riprodotta dall'amplificatore esterno) è diffusa in tutte le zone aventi il tasto MUSIC **11** attivato (o entrambi i tasti MUSIC **11** e PAGING **10** attivati);
- tutte le zone con il solo tasto PAGING **11** attivato diffondono la miscelazione dei canali da 1 a 4 (tramite l'amplificatore interno).

Durante un evento con priorità (es. un annuncio), la diffusione del segnale prioritario nelle 3 zone ha luogo nei modi già descritti nella sezione precedente del manuale "Funzionamento in modalità singola", inclusa la funzione OVERRIDE.

La musica rimane presente (se attivata) nelle zone non interessate dall'evento prioritario.

Gli attenuatori **12** agiscono sul livello dei soli annunci (se la funzione OVERRIDE non è attiva).

COLLEGAMENTO DELL'AMPLIFICATORE ESTERNO ADDIZIONALE



ES 3323 dispone di 2 uscite audio (PAGING OUT **25** e MUSIC OUT **26**) e di un ingresso riservato ad una linea a tensione costante (100 V / 70 V) per il collegamento dell'amplificatore esterno.

A) ES 3323: MUSICA

AMPLIFICATORE ESTERNO: ANNUNCI

COLLEGAMENTI NECESSARI:

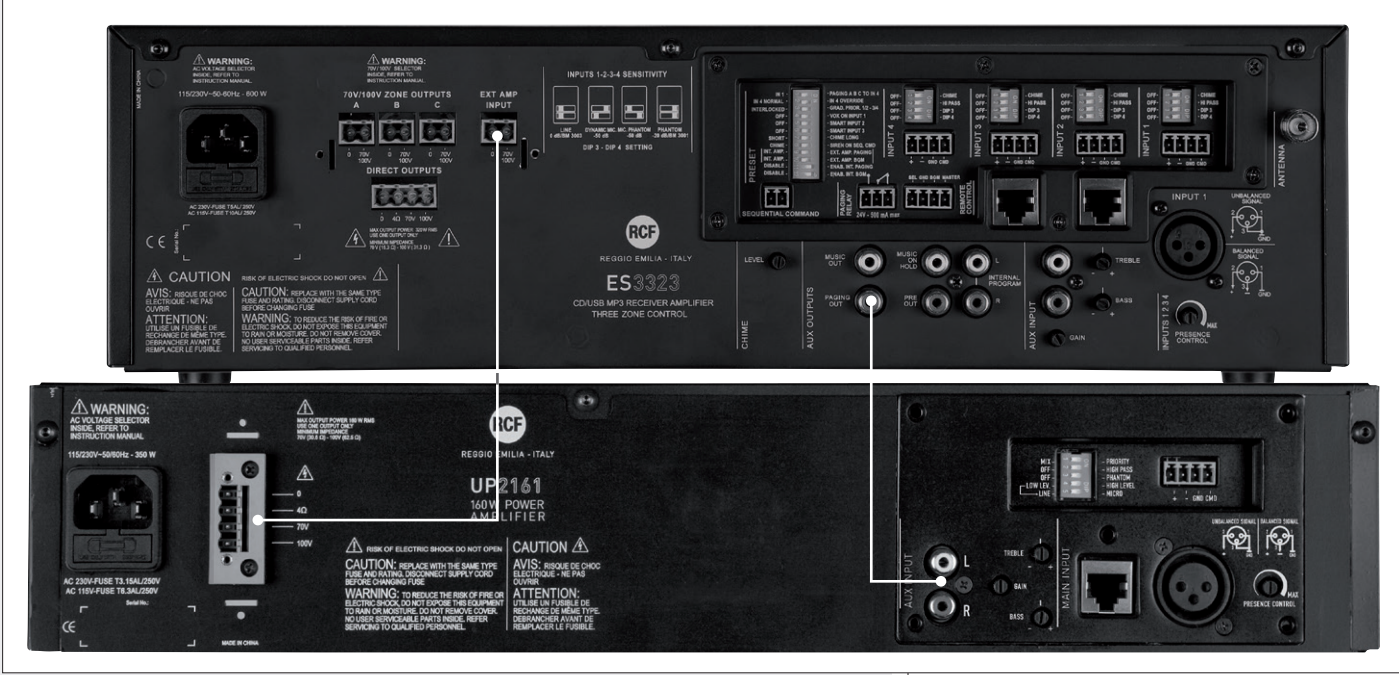
- collegare l'uscita PAGING OUT **25** all'ingresso audio dell'amplificatore esterno;
- collegare l'uscita (per i diffusori) a tensione costante 100 V (/ 70 V) dell'amplificatore esterno all'ingresso EXT AMP INPUT **32**;

IMPOSTAZIONI DEI "DIP-SWITCH" DEL GRUPPO PRESET **27**:

- DIP 9 su **ON**;
- DIP 10 su **OFF**;
- DIP 11 su **OFF** (per evitare che i segnali dei canali 1÷4 siano miscelati con la musica);
- DIP 12 su **ON** (musica inviata all'amplificatore interno).

ESEMPIO DI COLLEGAMENTO AD UN AMPLIFICATORE RCF UP 2321:

- collegare l'uscita PAGING OUT **25** all'ingresso audio AUX INPUT dell'amplificatore addizionale UP 2321;
- collegare l'uscita a tensione costante 100 V (/ 70 V) dell'amplificatore UP 2321 all'ingresso EXT AMP INPUT **32**.



B) ES 3323: ANNUNCI AMPLIFICATORE ESTERNO: MUSICA

COLLEGAMENTI NECESSARI:

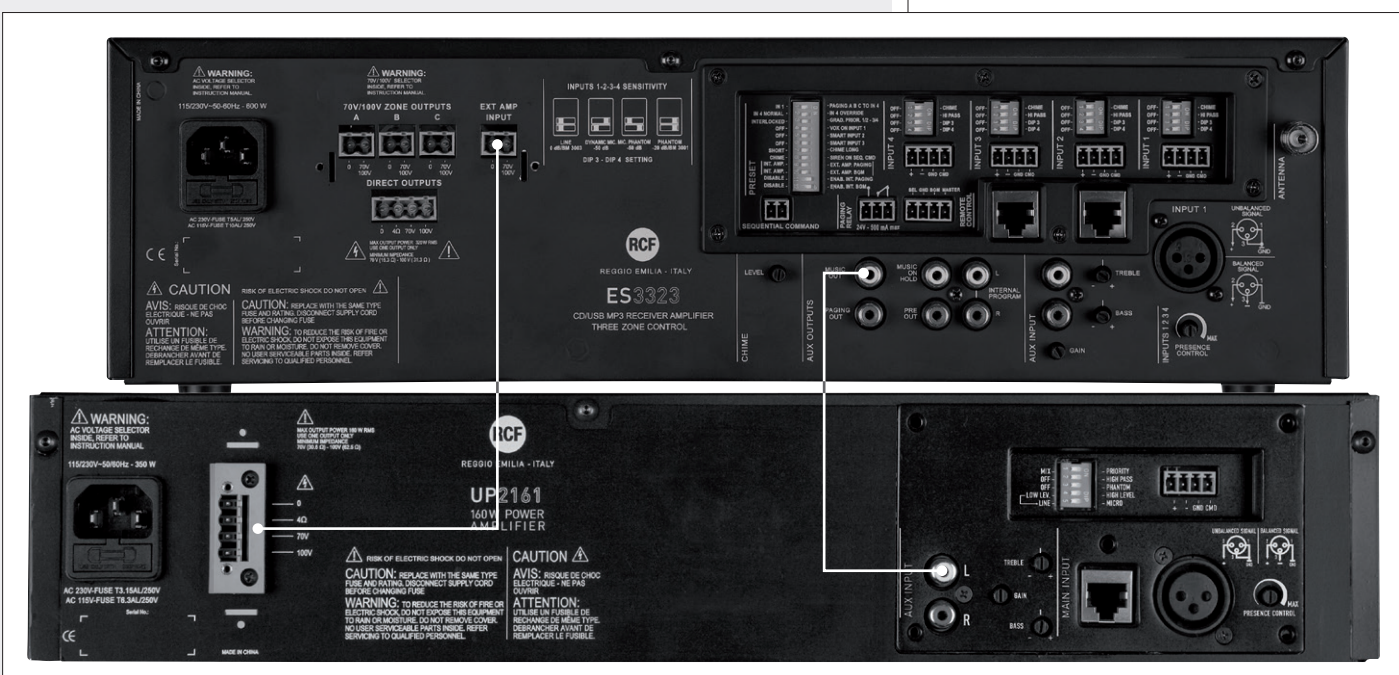
- collegare l'uscita MUSIC OUT (26) all'ingresso audio dell'amplificatore esterno;
- collegare l'uscita (per i diffusori) a tensione costante 100 V (/ 70 V) dell'amplificatore esterno all'ingresso EXT AMP INPUT (32);

IMPOSTAZIONI DEI "DIP-SWITCH" DEL GRUPPO PRESET (27):

- DIP 9 su OFF;
- DIP 10 su ON;
- DIP 11 su ON (abilita i segnali dei canali 1÷4 verso l'amplificatore interno);
- DIP 12 su OFF (musica disattivata verso l'amplificatore interno).

ESEMPIO DI COLLEGAMENTO AD UN AMPLIFICATORE RCF UP 2321:

- collegare l'uscita MUSIC OUT (25) all'ingresso audio dell'amplificatore addizionale UP 2321;
- collegare l'uscita a tensione costante 100 V (/ 70 V) dell'amplificatore UP 2321 all'ingresso EXT AMP INPUT (32).





“SEQUENTIAL COMMAND”

Il comando SEQUENTIAL COMMAND **29** ha la priorità massima ed attiva la riproduzione continua (verso tutte le zone) della melodia di preavviso “chime” (corta o lunga, a seconda dell’impostazione del dip-switch 7 del gruppo PRESET **27**) oppure del segnale d’allarme (configurabile tramite il dip-switch 8 del gruppo PRESET **27**) in modo OVERRIDE.

MODALITÀ TEMPORANEA O BI-STABILE “SMART” DELLA PRIORITÀ DEI CANALI 2 E 3

Mediante i dip-switch 5 e 6 del gruppo PRESET **27**, è possibile attivare le priorità relative ai canali 2 e 3 in modalità temporanea, ovvero la priorità è mantenuta solo fin quando il relativo comando è attivo, oppure in modo bi-stabile (on / off), che commuta il suo stato ad ogni comando ad impulso.

NOTA: LA MODALITÀ PRESCELTA SI APPLICA SIA ALLA BASE MICROFONICHE BM3001 (SE PRESENTI), SIA QUANDO SI UTILIZZANO I COMANDI DI PRIORITÀ (DISPONIBILE NEI CONNETTORI RIMOVIBILI), MA MAI ALLE BASI MICROFONICHE BM 3003.

IMPOSTARE IL DIP-SWITCH 5 (PER L’INGRESSO 2) E/O IL DIP-SWITCH 6 (PER L’INGRESSO 3) DEL GRUPPO PRESET SU OFF SE SONO COLLEGATE 1 O PIÙ BASI MICROFONICHE BM 3003.

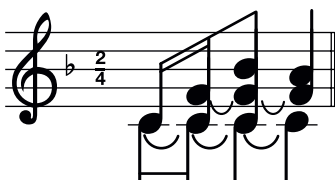
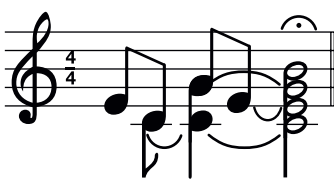
GRUPPO DI 4 MICROINTERRUTTORI / DIP-SWITCH PER CIASCUN CANALE (DA 1 A 4)

In ciascun canale è possibile impostare la sensibilità d’ingresso (con o senza alimentazione PHANTOM), inserire un filtro passa-alto ed abilitare la melodia di preavviso “chime”, la quale è riprodotta ogni volta che si attiva la priorità.

INFORMAZIONI SULLA MELODIA DI PREAVVISO “CHIME”

La melodia di preavviso “chime” non è riprodotta quando si utilizza la funzione VOX del canale 1, ma solo quando si attiva un comando di priorità.

La scelta della melodia (corta o lunga) si effettua tramite il dip-switch 7 del gruppo PRESET **27**.

 <p>SHORT (corta)</p>	 <p>LONG (lunga)</p>
--	--

Durante il tempo di riproduzione della melodia di preavviso (pochi secondi), nella modalità a singolo amplificatore, il segnale della sorgente musicale (interna od esterna tramite l’ingresso ausiliario AUX INPUT) non è diffuso.

MEMORIZZAZIONE

Tutte le impostazioni attuabili mediante i vari tasti del pannello frontale sono automaticamente memorizzate trascorsi 10 secondi dall’ultimo tasto premuto. Durante il funzionamento, se è attivo un evento prioritario, è possibile cambiare lo stato degli indicatori coincidente con la pressione di ciascun tasto, ma la conseguente attuazione funzionale e memorizzazione avviene solo quando cessa l’evento prioritario.

BASI MICROFONICHE RCF BM 3001 E BM 3003



I canali 2 e 3 hanno ciascuno un ingresso con connettore RJ 45, al quale è possibile collegare 2 tipi di basi microfoniche RCF (non incluse):

- BM 3001 (per soli annunci generali);
- BM 3003 (per annunci selettivi su 3 zone e la possibilità concatenare fino a 12 basi microfoniche sulla stessa linea).

Se si utilizzano basi microfoniche BM 3001, è possibile connetterne una sola per ciascun ingresso RJ 45 (max. 2: una all'ingresso 2, una all'ingresso 3).

La priorità e la modalità di funzionamento del tasto della base microfonica BM 3001 dipende dalle varie impostazioni già descritte.

A CIASCUNA BASE MICROFONICA BM3001, È POSSIBILE ASSEGNARE LA FUNZIONE SMART MEDIANTE I DIP-SWITCH 5 (PER L'INGRESSO 2) E 6 (PER L'INGRESSO 3) DEL GRUPPO PRESET 27.



ES 3323-II identifica se è collegata una console BM 3001 mediante l'attivazione della modalità "LINEA con PHANTOM" nel rispettivo canale, pertanto è necessario impostare correttamente i "dip-switch" 3 e 4 16 degli ingressi (entrambi su ON).

SE SI UTILIZZANO BASI MICROFONICHE BM 3003, È POSSIBILE COLLEGARE A CIASCUN INGRESSO RJ 45:

- una singola base microfonica BM 3003 (senza alimentatore supplementare);
- una catena composta da max. 12 BM 3003 utilizzando un alimentatore supplementare.

Dopo aver connesso una o più basi microfoniche BM 3003, **impostare correttamente i "dip-switch" 3 e 4 16 del rispettivo ingresso nella modalità "LINEA" (entrambi su OFF).**

Le basi microfoniche BM 3003 funzionano sempre in modo SMART; impostare / lasciare su OFF i dip-switch 5 (per l'ingresso 2) e 6 (per l'ingresso 3) del gruppo PRESET 27 (funzione SMART).

È POSSIBILE COLLEGARE UNA BASE MICROFONICA BM 3001 AD UN INGRESSO RJ 45 ED UNA (O PIÙ) BM 3003 ALL'ALTRO, QUINDI LE COMBINAZIONI AMMESSE SONO:

- nessuna base microfonica;
- 1 x BM 3001;
- 2 x BM 3001 (una ad un ingresso, una all'altro);
- max. 12 x BM 3003 (ad un solo ingresso);
- max. 12 x BM 3003 (ad un ingresso) + 1 x BM 3001 (all'altro ingresso);
- max. 24 x BM 3003 (max. 12 per ciascun ingresso).

IMPORTANTE: Non è ammesso collegare allo stesso ingresso basi microfoniche diverse!



Quando si concatenano più basi microfoniche BM 3003 nella stessa linea, la prima BM 3003 (collegata direttamente all'amplificatore ES 3323) non necessita dell'alimentatore supplementare, mentre tutte le altre a seguire sì.

Per il funzionamento specifico delle basi microfoniche, riferirsi ai rispettivi manuali d'uso. Durante la diffusione della melodia di preavviso "chime" (se abilitata), il microfono è (momentaneamente) disabilitato.

Le basi microfoniche possono essere disattivate da eventi con livello di priorità superiore rispetto al canale (2 o 3) a cui sono collegate.



NOTE SUI COMPACT DISC

- Usare solo CD audio, CD-R e CD-RW da 12 cm; quelli da 8 cm non possono essere utilizzati.
- Non usare CD danneggiati o con forma irregolare.
- Tenere i CD puliti ed afferrarli sempre dal bordo (senza toccarne la superficie con le dita). Per pulire i CD, utilizzare un panno pulito, morbido ed asciutto, iniziando dal centro e procedendo verso l'esterno. Non usare alcool, sostanze solventi o detersivi.
- Non mettere etichette adesive sui CD e non utilizzare CD sui quali sono già stati apposti adesivi.
- Riporre i CD nella loro custodia quando non sono utilizzati.
- Non lasciare i CD vicino a fonti di calore o comunque esposti a temperature elevate oppure alla luce diretta del sole (es. su cruscotti di automobili).
- Alcuni tipi di CD registrabili (CD-R) o riscrivibili (CD-RW) potrebbero non essere letti correttamente.



PANNELLO FRONTALE

1 Pulsante per l'accensione o lo spegnimento del (solo) lettore CD/USB – MP3/WMA – sintonizzatore radio e la sua messa in MUTE. Se il lettore è spento, premere (e rilasciare) questo tasto per accenderlo. Se il lettore è acceso, premere (e rilasciare) questo tasto per metterlo in MUTE ("MUTE" è mostrato sul display).
Premerlo ancora (o ruotare il controllo del volume **4**) per ripristinare il livello precedente. Premerlo e tenerlo premuto (2 secondi) per spegnere il solo lettore.

2 Pulsante **SRC** ("source", sorgente): premere (una o più volte) per selezionare tra la radio, CD (quando inserito), USB (se una memoria USB è inserita), l'ingresso AUX INPUT del lettore ed un eventuale dispositivo "Bluetooth" (se presente e correttamente abbinato al lettore).

PANNELLO FRONTALE

3 Pulsante **FM/AM**: selezione della banda del sintonizzatore tra modulazione di frequenza FM (3 gruppi: FM1, FM2, FM3) ed onde medie in modulazione d'ampiezza AM (2 gruppi: MW1, MW2).

4 Controllo (di tipo "encoder") di volume e pulsante per la selezione dei parametri. Se ruotato in senso orario, aumenta il volume del (solo) lettore CD/USB – MP3/WMA e sintonizzatore radio; in senso antiorario, abbassa il volume.

Se premuto, cambia il parametro modificabile (ruotando il controllo): volume (VOL 0 ÷ 47) → bass toni bassi (BAS -7 ÷ +7) → toni alti (TRE -7 ÷ +7) → bilanciamento tra canali (BAL 10L ÷ 10R; 10L = solo canale sinistro, 0 = centro, 10R = solo canale destro).

IL PARAMETRO DI BILANCIAMENTO TRA I CANALI DESTRO E SINISTRO (BAL) È SOLO PER L'USCITA STEREO INTERNAL PROGRAM. LASCIARLO SOLITAMENTE A 0 (CENTRO) IN MODO DA INVIARE ALL'AMPLIFICATORE UN SEGNALE MONO CHE SIA LA SOMMA EQUA DEI CANALI (DESTRO E SINISTRO).

Se mantenuto premuto per più di 2 secondi, permette di accedere al menù delle funzioni (vedere il relativo paragrafo).

5 |◀◀ (tasto "indietro")

RADIO:

- premere per un istante il tasto "indietro" per avviare la ricerca automatica della stazione precedente (premere di nuovo per fermarla);
- tener premuto il tasto "indietro" per almeno 2 secondi per accedere alla ricerca manuale (il display indica MANU ON), in modo da diminuire la frequenza in passi da 0,05 MHz (FM) ad ogni pressione. Trascorsi 5 secondi dall'ultima pressione del tasto, la ricerca manuale sarà automaticamente disattivata (il display indica MANU OFF).

CD audio e file MP3 / WMA:

- premere per un istante il tasto "indietro" per riavviare la traccia corrente (dopo i primi 10 secondi di riproduzione);
- premere una o più volte il tasto "indietro" per selezionare tracce precedenti;
- tener premuto il tasto "indietro" per far indietreggiare velocemente la traccia corrente.

LA SELEZIONE DELLE TRACCE (E DELLE CARTELLE "FOLDER") È CICLICA: INDIETREGGIANDO, DOPO LA PRIMA TRACCIA SI RITORNA ALL'ULTIMA.

6 ▶▶| tasto "avanti"

RADIO:

- premere per un istante il tasto "avanti" per avviare la ricerca automatica della stazione successiva (premere di nuovo per fermarla);
- tener premuto il tasto "avanti" per almeno 2 secondi per accedere alla ricerca manuale (il display indica MANU ON), in modo da incrementare la frequenza in passi da 0,05 MHz (FM) ad ogni pressione. Trascorsi 5 secondi dall'ultima pressione del tasto, la ricerca manuale sarà automaticamente disattivata (il display indica MANU OFF).

CD audio e file MP3 / WMA:

- premere una o più volte il tasto "avanti" per selezionare tracce successive;
- tener premuto il tasto "avanti" per far avanzare velocemente la traccia corrente.

LA SELEZIONE DELLE TRACCE (E DELLE CARTELLE "FOLDER") È CICLICA: AVANZANDO, DOPO L'ULTIMA TRACCIA SI RITORNA ALLA PRIMA.

7 Pulsante ▶|| **TOP** (solo CD audio e file MP3 / WMA)

Se premuto per un istante, mette la riproduzione in pausa (oppure la toglie, se già presente); se tenuto premuto per qualche secondo, riporta a capo la lettura del supporto (CD o USB) selezionato.

8 Pulsante **INT** "introduzione" (solo CD audio e file MP3 / WMA)

Premere per attivare **INT ON** / disattivare **INT OFF** la riproduzione (in sequenza) dei soli primi 10 secondi (l'introduzione) di ciascuna traccia.



9 Pulsante **RPT** "ripetizione" (solo CD audio e file MP3 / WMA)

CD audio: attiva **RPT TRK** / disattiva **RPT OFF** la (continua) ripetizione della traccia selezionata.

File MP3 / WMA: **RPT TRK** (ripetizione continua della traccia selezionata) → **RPT FOLD** (ripetizione continua, in sequenza, delle tracce della sola cartella "folder" selezionata) → **RPT OFF** (riproduzione normale, senza ripetizioni).

10 Pulsante **RDM** "random, casuale" (solo CD audio e file MP3 / WMA)

Attiva **RDM ON** / disattiva **RDM OFF** la riproduzione casuale delle tracce.

11 Pulsante **Folder-** (solo file MP3 / WMA)

Se premuto per un istante, è selezionata la cartella precedente (**FOLDER <<**); se tenuto premuto per qualche secondo, la riproduzione salta indietro di 10 tracce (**10TRK <<**).

12 Pulsante **Folder+** (solo file MP3 / WMA)

Se premuto per un istante, è selezionata la cartella successiva (**FOLDER >>**); se tenuto premuto per qualche secondo, la riproduzione salta avanti di 10 tracce (**10TRK >>**).

13 Pulsante **DISP** ("display"): premere per cambiare sequenzialmente le informazioni (solo quelle disponibili) visualizzate sul display.

14 Pulsante **AMS** "auto memory scan", scansione e memorizzazione automatica (solo radio).

Se premuto per un istante, permette di visualizzare sul display ed ascoltare in sequenza (per circa 5 secondi ciascuna) tutte le emittenti memorizzate della stessa banda (18 in modulazione di frequenza FM oppure 12 in modulazione d'ampiezza MW); se tenuto premuto per qualche secondo, si attiva la scansione automatica delle emittenti con segnale più forte e la loro memorizzazione in tutte le locazioni di memoria (18 in FM oppure 12 in MW).

Attenzione: la scansione automatica cancella tutte le emittenti precedentemente memorizzate !

IL PULSANTE AMS SI UTILIZZA ANCHE PER LA RICERCA DI FILE MP3 (VEDERE IL PARAGRAFO "RICERCA FILE MP3").

15 Pulsante **PTY** "programme type" (solo radio FM)

Le emittenti radiofoniche con servizio RDS ("Radio Data System") possono fornire un segnale identificativo del tipo di programma.

Per cercare una stazione che trasmetta un certo tipo di musica o un particolare programma parlato, premere il pulsante **PTY** una volta e ruotare il controllo di volume 4 per scegliere tra: **POP M** (musica pop), **ROCK M** (musica rock), **EASY M** (musica leggera), **LIGHT M** (musica classica leggera), **CLASSICS** (classici), **OTHER M** (altri generi), **WEATHER** (meteo), **FINANCE** (economia e finanza), **CHILDREN** (programmi per ragazzi), **SOCIAL** (programmi sociali), **RELIGION** (religione), **PHONE IN** (forum, opinioni), **TRAVEL** (viaggi), **LEISURE** (svago), **JAZZ** (musica jazz), **COUNTRY** (musica country), **NATION M** (musica nazionale), **OLDIES** (vecchi successi), **FOLK M** (musica folk), **DOCUMENT** (documentari), **TEST**, **NEWS** (ultime notizie), **AFFAIRS** (attualità), **INFO** (informazioni), **SPORT**, **EDUCATE** (programmi educativi), **DRAMA** (commedia e teatro), **CULTURE** (programmi culturali), **SCIENCE** (programmi scientifici), **VARIED** (vari generi).

La ricerca (**PTY SEEK**) si attiva automaticamente dopo 2 secondi dalla selezione del programma.

Se non è trovata alcuna stazione con le caratteristiche desiderate, il display indica **NO PTY**. Premere di nuovo il tasto PTY per annullare la ricerca.



16 Pulsante **TA/AF** "traffic announcements / alternative frequency"

(annunci sul traffico e frequenza alternativa, solo radio FM)

Alcune emittenti radiofoniche con servizio RDS ("Radio Data System") forniscono periodicamente anche informazioni sul traffico; tali stazioni sono identificabili tramite l'indicazione TP sul display.

Se il pulsante è premuto per un istante:

- quando si è sintonizzati su un'emittente che fornisce tale servizio, si attiva (appare l'indicazione **TA** sul display) o disattiva la modalità di ricezione degli annunci sul traffico con un volume prestabilito (vedere il paragrafo "MENU' DELLE FUNZIONI");
- quando si è sintonizzati su un'emittente che NON trasmette informazioni sul traffico, a seconda delle impostazioni del parametro **TA** nel menù delle funzioni, si attiva la ricerca automatica (sul display: **TA SEEK**) di una stazione che invece fornisce tale servizio oppure è indicata semplicemente la sua mancanza (sul display: **NO TA/TP**).

Se il pulsante è tenuto premuto per qualche secondo si attiva (appare l'indicazione AF sul display) o disattiva la possibilità di utilizzare una frequenza alternativa (una stazione con programmazione simile) quando non sia più possibile la buona ricezione dell'emittente scelta.

SE LA FUNZIONE DELLA FREQUENZA ALTERNATIVA NON È ATTUALMENTE DISPONIBILE, SUL DISPLAY L'INDICAZIONE AF LAMPEGGIA.

Tenendo premuto il tasto **PTY** **15** (per almeno 2 secondi) si commuta l'opzione REGION per la frequenza alternativa tra:

- **REG ON:** l'emittente selezionata può essere sostituita solo da un'altra nella regione / zona;
- **REG OFF:** l'emittente selezionata può essere sostituita da un'altra qualsiasi.

EON "ENHANCED OTHER NETWORKS"

QUANDO I DATI EON SONO RICEVUTI (APPARE L'INDICAZIONE EON SUL DISPLAY), LE FUNZIONI TA ED AF SONO IMPLEMENTATE COME SEGUE:

- **TA** SONO RICEVUTI GLI ANNUNCI SUL TRAFFICO SIA DELLA STAZIONE CORRENTE SIA DI ALTRE STAZIONI;
- **AF** LA LISTA DI FREQUENZE CON RDS È SEMPRE AGGIORNATA (NEI DATI EON) PER L'UTILIZZO DELLA FREQUENZA ALTERNATIVA.

17 **AUX INPUT** (connettore jack 1/8" TRS): ingresso audio ausiliario per un dispositivo esterno.

È necessario tirare il coperchio plastico frontale per accedere all'ingresso.

18 Porta **USB**

L'inserimento di una memoria USB è automaticamente rilevato. Prima di rimuoverla, scegliere come sorgente la radio od il lettore CD o l'ingresso AUX IN premendo il tasto **SRC** **2**.

È necessario tirare il coperchio plastico frontale per accedere alla porta USB.

Note sulle memorie USB:

- formattazione: FAT 12 / FAT 16 / FAT 32;
- nome dei file: 32 byte / nome dir: 32 byte / "tag": 32 byte;
- TAG (ID3 ver. 2.0) - titolo / artista / album: 32 byte;
- supporto USB 1.1 e 2.0 (ma con velocità 1.1);
- alcune memorie USB potrebbero non essere compatibili.

19 Pulsante **EJECT** per l'espulsione del compact disc.**20** Pulsanti **1 ÷ 6** : tasti per la selezione / memorizzazione di 6 emittenti radiofoniche / frequenze per ciascun gruppo (FM1, FM2, FM3, MW1, MW2).

Se un pulsante è premuto per un istante, seleziona l'emittente già memorizzata (in tale locazione); se tenuto premuto per qualche secondo, memorizza l'attuale frequenza in quella locazione (sul display appare il relativo numero nell'angolo in basso a destra).

21 Slot per l'inserimento del compact disc (nota: inserire un solo CD alla volta).

Informazioni radio: il gruppo selezionato (FM1, FM2, FM3, MW1, MW2), la frequenza e se questa corrisponde ad un' locazione di memoria (indicata nell'angolo in basso a destra).

POP – CLAS – ROCK – JAZZ: selezione corrente DSP (equalizzazione della musica).

INT: funzione intro

RDM: riproduzione casuale

MUTE: il lettore / la radio è in "mute"

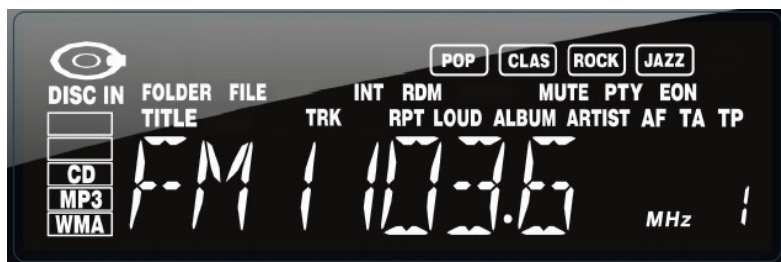
PTY: funzione "programma" inserita

EON: "Enhanced Other Networks"

DISC IN: un "compact disc" è stato inserito.

CD: CD audio

MP3: file MP3



WMA: file WMA

FOLDER: cartella corrente

FILE: file corrente

TITLE: titolo corrente

TRK: traccia corrente

RPT: ripetizione inserita

LOUD: "loudness" inserito

ALBUM: album corrente

ARTIST: artista corrente

AF: ricerca frequenza alternativa abilitata

TA: funzione annunci traffico abilitata

TP: stazione con informazioni sul traffico

MENÙ DELLE FUNZIONI

Tenendo premuto il controllo del volume **4** per 2 secondi, si accede al menù delle funzioni (dal quale si esce aspettando qualche secondo senza premere il pulsante); ogni successiva pressione cambia il parametro selezionato:

**TA ALARM / SEEK *→ AF *→ TA *→ REG *→ TA VOL *→ RETUNE *→ DSP → LOUD
→ DX / LOCAL → ROLL →V-LAST / ADJ → [A-VOL]**

* disponibile solo se la radio è impostata su FM.

Ruotare il controllo del volume per cambiare il valore del parametro selezionato.

TA ALARM / SEEK

Quando si è sintonizzati su un'emittente FM che non trasmette informazioni sul traffico e si attiva la funzione TA, si può scegliere se:

- ALARM : indicare semplicemente la mancanza del servizio sul display (NO TA/TP);
- SEEK : attivare la ricerca automatica di una stazione che invece fornisce tale servizio.

AF (FREQUENZA ALTERNATIVA)

Se impostato su ON, la funzione "frequenza alternativa" è abilitata, si permette la ricerca automatica di una stazione FM alternativa (con programmazione simile) quando non sia più possibile la buona ricezione dell'emittente scelta.

Se impostato su OFF, la funzione "frequenza alternativa" è disabilitata.

Se impostato su LOCAL: solo le stazioni radio con segnale forte possono essere selezionate.

TA (ANNUNCI SUL TRAFFICO)

Se impostato su ON, la ricezione delle informazioni sul traffico è abilitata. Quando si è sintonizzati su un'emittente che non trasmette informazioni sul traffico, a seconda delle impostazioni del precedente parametro TA, si attiva la ricerca automatica (sul display: TA SEEK) di una stazione che invece fornisce tale servizio oppure è indicata semplicemente la sua mancanza (sul display: NO TA/TP). Se impostato su OFF, la ricezione delle informazioni sul traffico è disabilitata.

REG (STAZIONI NELLA REGIONE)

Se impostato su ON, durante la ricerca della frequenza alternativa (AF), l'emittente FM selezionata può essere sostituita solo da un'altra nella regione / zona; se impostato su OFF, l'emittente FM selezionata può essere sostituita da un'altra qualsiasi.

MENÙ DELLE FUNZIONI

TA VOL : imposta il volume prefissato (tra i valori 12 e 45) per gli annunci sul traffico.

RETUNE : impostazione del tempo d'intervallo tra una ricerca automatica (TA SEEK) e quella successiva di una stazione radio che fornisce informazioni sul traffico.

Se impostato su S: il tempo d'intervallo tra due ricerche è 45 secondi.

Se impostato su L: il tempo d'intervallo tra due ricerche è 3 minuti.

DSP : imposta un'equalizzazione ottimizzata per alcuni tipi di musica.

OFF (nessuna equalizzazione) → POP → ROCK → CLASSIC → JAZZ

LOUD (LOUDNESS): ON / OFF

Loudness: si tratta di un piccolo espediente per migliorare la qualità di ascolto a basso volume di un brano musicale. Quando attivo, le frequenze più basse e quelle più alte sono incrementate in modo da compensare la minor sensibilità dell'orecchio umano verso l'estremità dello spettro udibile.

DX / LOCAL

Se impostato su DX: tutte le stazioni radio possono essere selezionate.

ROLL

Se impostato su ON, tutte le informazioni sulla traccia / file corrente sono automaticamente e sequenzialmente visualizzate sul display.

V-LAST / ADJ

Scelta se il controllo di volume del lettore CD/USB – MP3/WMA e sintonizzatore radio all'accensione debba essere:

- LAST: allo stesso livello presente prima dello spegnimento;
- ADJ: ad un livello preimpostato dal parametro successivo A-VOL.

A-VOL (parametro attivo solo se il precedente V-LAST / ADJ è impostato su ADJ): volume prefissato (0 ÷ 47) del lettore CD/USB – MP3/WMA e sintonizzatore radio all'accensione.

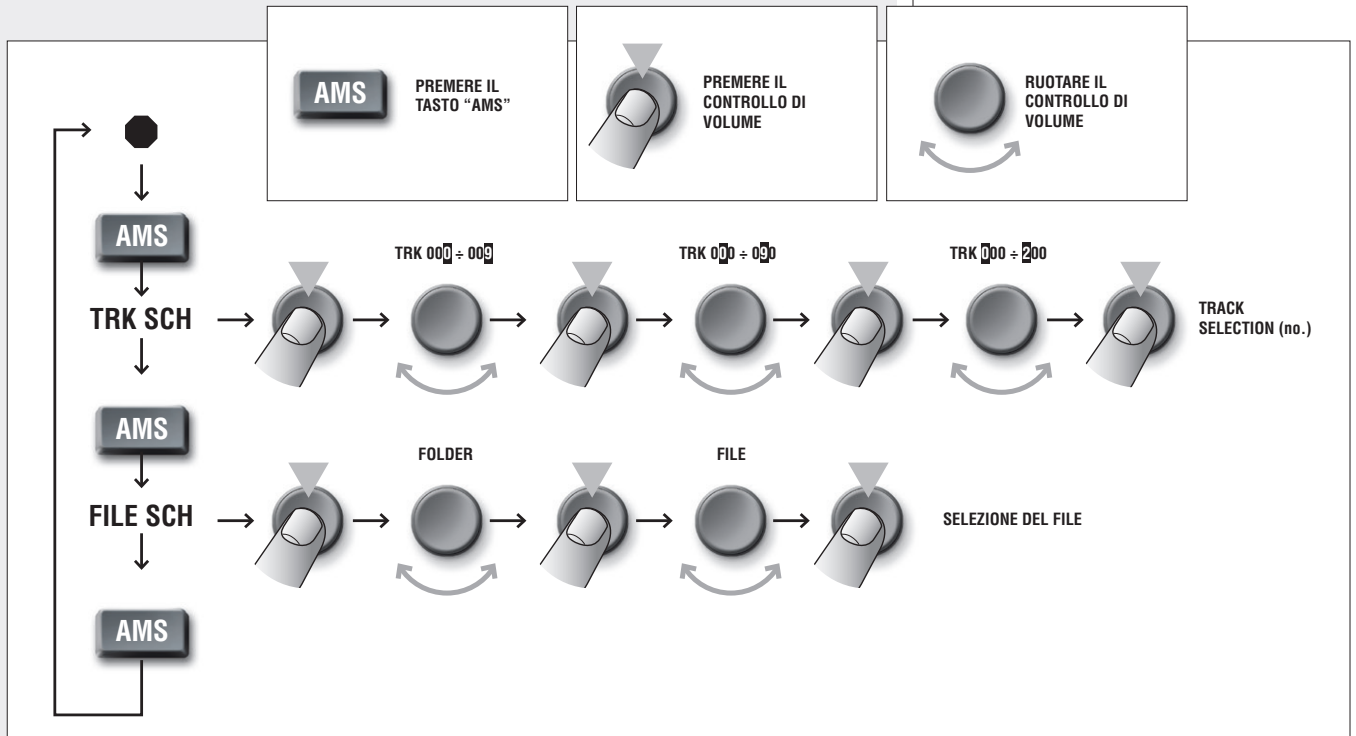
NOTE SUI FILE MP3 / WMA

- MP3 (MPEG Audio Layer 3) e WMA (Windows Media Audio) sono standard di compressione audio.
- Questo prodotto permette la riproduzione di file MP3 / WMA su CD-ROM, CD-R, CD-RW e memorie USB e riceve dati da dispositivi BLUETOOTH; sono visualizzati (se disponibili), il titolo del brano, l'artista e l'album (fino a 16 caratteri, ID3 TAG versione 2.0 richiesta).
- Non è supportata la lettura di CD-R – CD-RW scritti con la modalità a pacchetti ("packet write").
- I dischi CD-R devono essere finalizzati.
- L'estensione dei file deve essere .mp3 oppure .wma.
- Il livello massimo di directory (o "cartelle" / "folder") in un supporto è 8, inclusa la radice ("root").
- Il numero max. di file MP3/WMA presenti su un supporto non deve essere maggiore di 256.
- Se un CD contiene sia tracce audio sia file MP3/WMA, il lettore riprodurrà solamente le tracce audio.
- Assicurarsi che durante la masterizzazione di un CD-R con file MP3 / WMA, questo sia formattato come "disco dati" e non "disco audio". È consigliabile non inserire nel CD-R file che non siano MP3 / WMA (o cartelle non necessarie), altrimenti l'avvio della riproduzione potrebbe impiegare un tempo più lungo.
- Con alcuni tipi di CD-R / CD-RW, i dati potrebbero non essere scritti correttamente; è consigliabile utilizzare supporti di qualità elevata.
- Quando si riproduce un file MP3 con velocità di lettura variabile ("Variable Bit Rate"), il tempo indicato sul display potrebbe non essere corretto; anche l'opzione INT potrebbe non funzionare correttamente.
- Si consiglia di utilizzare file MP3 con frequenza di campionamento (sampling frequency) di 44.1 kHz ed un "bit rate" fisso di almeno 128 kbps (se più alto, es. 192 kbps, si ottiene una qualità migliore).
- Il lettore potrebbe riprodurre le tracce non nell'ordine scritto sul disco o memoria USB.

NOTE SUI FILE MP3 / WMA

RICERCA FILE MP3 (/ WMA)

RICERCA FILE MP3 (/ WMA)



DISPOSITIVI "BLUETOOTH"

"Bluetooth" è una tecnologia per lo scambio dati, senza cavi e su distanze brevi, tra dispositivi fissi e mobili (es. telefoni cellulari). Per collegare un dispositivo esterno al lettore:

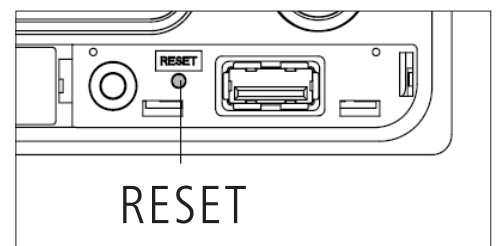
1. attivare la funzione "Bluetooth" sul dispositivo esterno;
2. sempre sul dispositivo esterno, avviare la ricerca di apparecchi con "Bluetooth" attivo; dovrebbe apparire la scritta "RCF";
3. abbinare il dispositivo esterno ad "RCF" inserendo il codice (/ password) "1234";
4. avviare la riproduzione di un file audio sul dispositivo esterno, il quale dovrebbe ora essere incluso tra le sorgenti del lettore (usare il tasto SRC 2 per cambiare sorgente).

TASTO RESET

Premere il tasto RESET (tramite un piccolo oggetto appuntito) solo nel caso che il lettore / radio non funzioni correttamente o sia da inizializzare.

Il tasto RESET si trova tra l'ingresso AUX IN 17 e la porta USB 18.

DISPOSITIVI "BLUETOOTH"

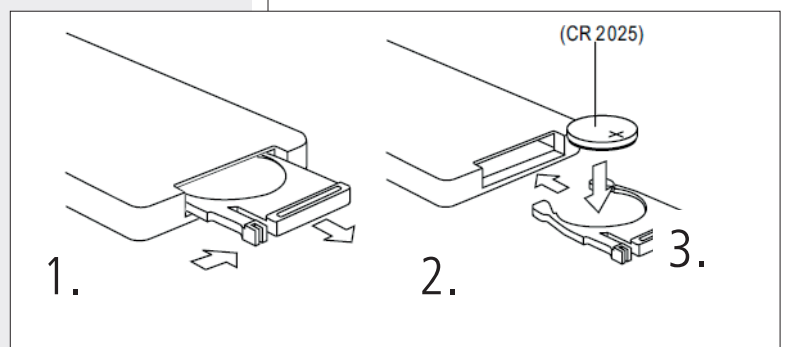


TELECOMANDO

Il telecomando necessita di una batteria al litio CR 2025 (3 V), da sostituire non appena il telecomando non funziona più correttamente. Assicurarsi che la polarità della batteria sia corretta.

Per inserire o sostituire la batteria:

1. estrarre il supporto della batteria tenendo premuto il suo fermo;
2. inserire la batteria al litio (a bottone) con il segno + rivolto verso l'alto;
3. reinserire il supporto con la nuova batteria nel telecomando.



Durante l'uso, puntare il telecomando (tenendolo per il verso giusto) in direzione dell'apparecchio.

ON-OFF Accensione o spegnimento del (solo) lettore / radio.

SEL Stessa funzione del controllo di volume **4** quando premuto.

VOL ▲(+)/▼(-) Stessa funzione del controllo di volume **4** quando ruotato.

|◀◀ (back) Stessa funzione del rispettivo tasto **5** sul pannello frontale.

▶▶| (forward) Stessa funzione del rispettivo tasto **6** sul pannello frontale.

SRC Stessa funzione del tasto SRC **2**.

AMS Stessa funzione del tasto AMS **14**.

TA Stessa funzione del tasto TA/AF **16**, ma solo per TA on/off.

AF / REG (vedere sotto *)

PTY Stessa funzione del tasto PTY **15**.

BAND Stessa funzione del tasto FM/AM **3**.

▶|| **TOP** (1) Stessa funzione del tasto ▶|| **TOP** **7**.

INT (2) Stessa funzione del tasto **INT** **8**.

RPT (3) Stessa funzione del tasto **RPT** **9**.

RDM (4) Stessa funzione del tasto **RDM** **10**.

I tasti **da 1 a 6** hanno anche la funzione di richiamo / memorizzazione di 6 emittenti radiofoniche (vedere il punto **20**).

DISP Stessa funzione del tasto **DISP** **13**.

* **AF / REG** "alternative frequency / region" (solo radio, emittenti FM con RDS)

Se il tasto è premuto per un istante, si attiva (appare l'indicazione AF sul display) o disattiva la possibilità di utilizzare una frequenza alternativa (una stazione con programmazione simile) quando non sia più possibile la buona ricezione dell'emittente scelta.

Se il tasto è tenuto premuto per qualche secondo, si commuta l'opzione "region" per la frequenza alternativa tra:

- REG ON (l'emittente selezionata può essere sostituita solo da un'altra nella regione / zona);
- REG OFF (l'emittente selezionata può essere sostituita da un'altra qualsiasi).

CODICI D'ERRORE

ERROR 1 / 2

Premere per almeno 2 secondi il tasto EJECT **19** per espellere il compact disc. Se il CD non è stato espulso, premere con un oggetto appuntito il piccolo tasto RESET e poi di nuovo EJECT (per almeno 2 secondi).

Nel caso non sia possibile espellere il CD, contattare il rivenditore od un centro d'assistenza autorizzato.

ERROR 3

Il compact-disc è stato inserito sottosopra.

ERROR 4

Il formato del compact disc non è supportato oppure i dati (/ i file) non sono del tipo corretto.



CODICI D'ERRORE

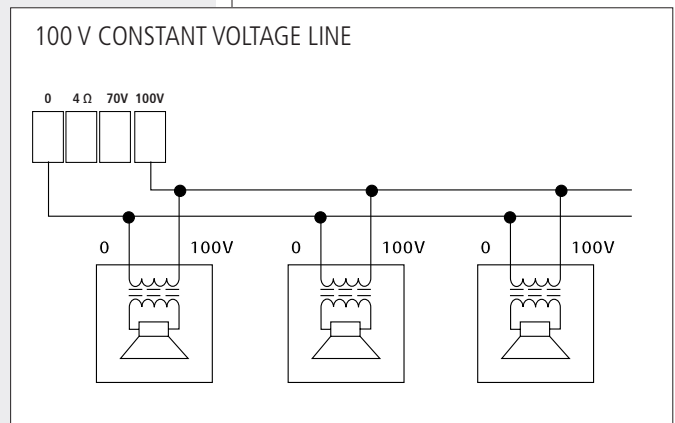
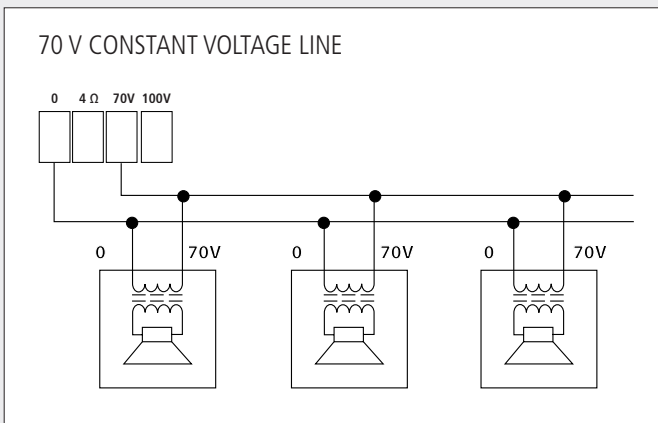


USCITE DIRETTE "DIRECT OUTPUTS" ³⁴

Utilizzare una sola uscita tra le 2 disponibili: 100 V, 70 V

USCITE A TENSIONE COSTANTE 70 / 100 V

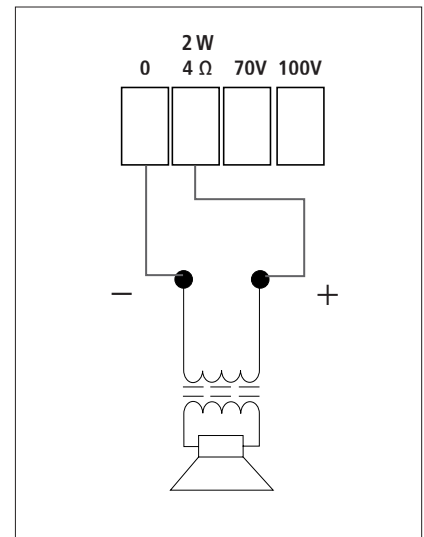
- Ogni diffusore deve avere un trasformatore di linea con tensione d'ingresso uguale a quella della linea (70 / 100 V).
- La somma delle potenze di tutti i diffusori collegati (alle uscite dirette ed a quelle separate per zona) non deve essere superiore a quella massima erogabile dall'amplificatore (320 W).



USCITA CON POTENZA 2 W PER DIFFUSORE MONITOR A BASSA IMPEDENZA (4 Ω)

L'impedenza del diffusore non deve essere inferiore a 4 Ω.

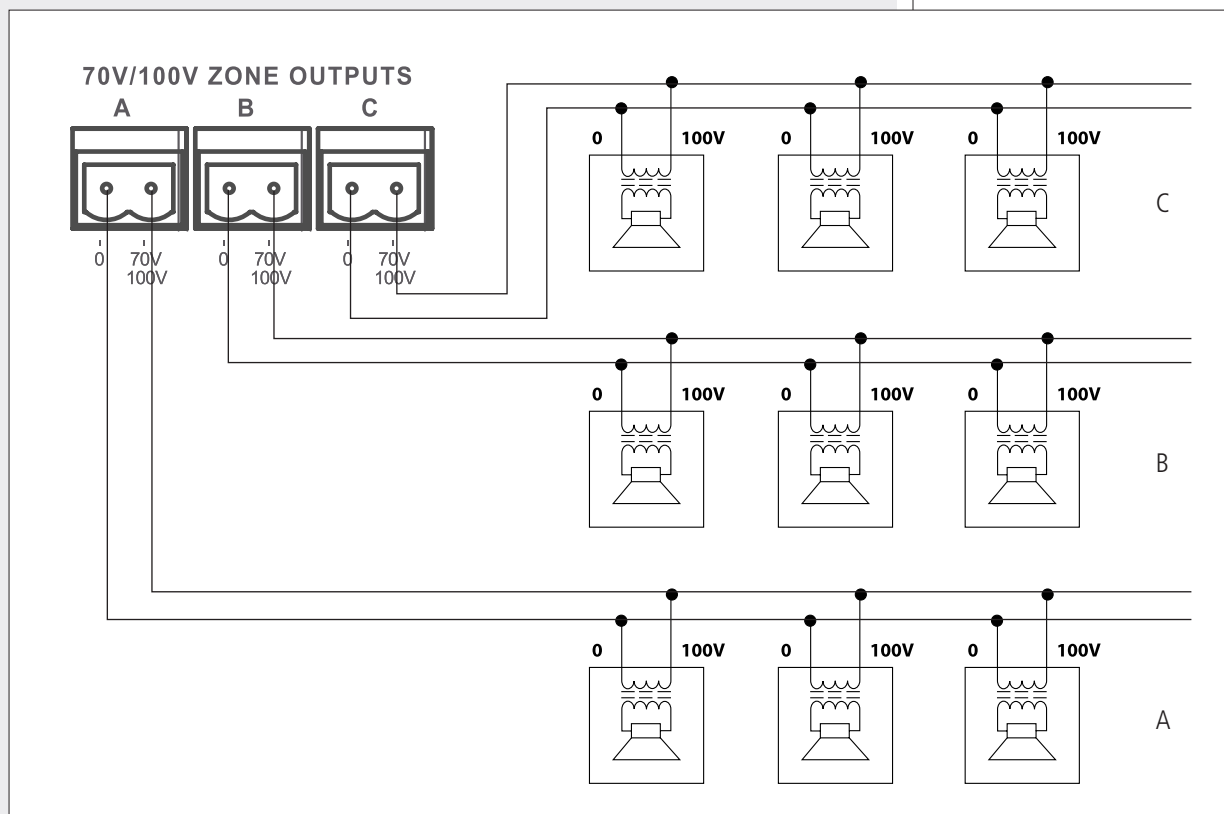
NOTA: UN'IMPEDENZA UGUALE A 4 Ω PERMETTE LA MASSIMA EROGAZIONE DI POTENZA (2 W); UN'IMPEDENZA SUPERIORE COMPORTA UNA RIDUZIONE DELLA POTENZA EROGATA (ES. 8 Ω: CIRCA 1 W; 16 Ω: CIRCA 0,5 W); UN'IMPEDENZA INFERIORE A 4 Ω SOVRACCARICA L'USCITA.



USCITE DI ZONA "ZONE OUTPUTS" 33

Ciascuna zona dispone di un'uscita separata a tensione costante 100 V / 70 V. L'apparecchio è normalmente predisposto in modo che la tensione (comune) alle 3 uscite di zona sia 100 V; per selezionare 70 V, contattare un centro d'assistenza autorizzato.

- Ogni diffusore deve avere un trasformatore di linea con tensione d'ingresso uguale a quella della linea (70 / 100 V).
- La somma delle potenze di tutti i diffusori collegati (alle uscite dirette ed a quelle separate per zona) non deve essere superiore a quella massima erogabile dall'amplificatore (320 W).



CAMBIO TENSIONE 100 V / 70 V (COMUNE) ALLE USCITE DI ZONE "ZONE OUTPUTS"

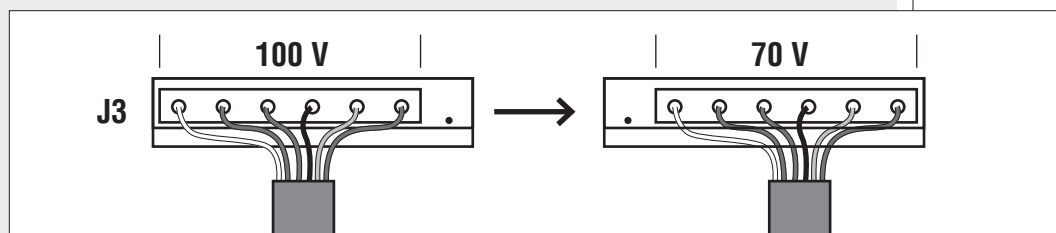


IMPORTANTE: LA SEGUENTE OPERAZIONE RIGUARDA IL SOLO PERSONALE QUALIFICATO E NON DEVE ESSERE EFFETTUATA DIRETTAMENTE DALL'UTENTE.



All'interno dell'apparecchio, sopra il trasformatore al centro è fissata una scheda dove è presente il connettore J3 "ZONE SELECTOR", il quale è normalmente posto nella posizione 100 V.

Per selezionare 70 V, spostare il connettore di un contatto verso destra.



CAMBIO TENSIONE DI FUNZIONAMENTO DELL'APPARECCHIO



LE SEGUENTI OPERAZIONI NON DEVONO ESSERE EFFETTUATE DIRETTAMENTE DALL'UTENTE.

Togliere la tensione dall'apparecchio (staccando il cavo d'alimentazione dalla presa di rete).

Rimuovere il coperchio superiore dell'apparecchio.

Il circuito di alimentazione si trova sotto lo schermo metallico forato (vedere la foto 1), il quale va rimosso svitando le 2 viti.

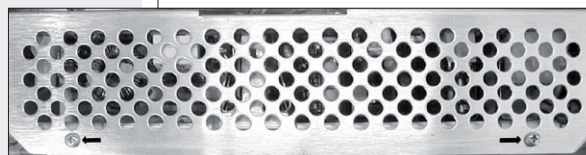


FOTO 1

Individuare il connettore per il cambio di tensione 230 / 115 V (nella foto 2 è evidenziato con un quadrato).

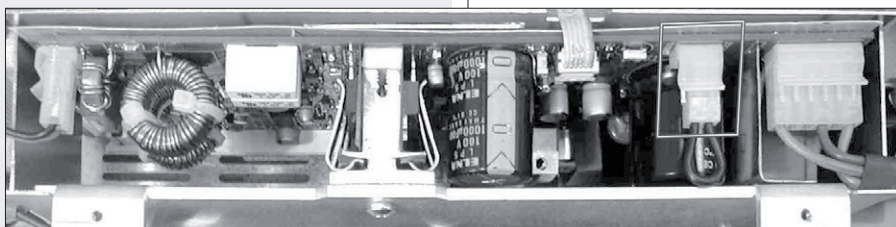


FOTO 2

Con tensione di rete 230 V, porre (o lasciare) il connettore nella posizione 230Vac (vedere la foto 3) in accordo con la serigrafia del circuito stampato (in modo che il polo centrale sia collegato a quello destro, guardando il connettore frontalmente).

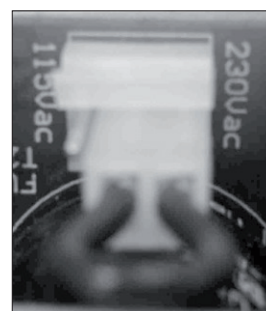


FOTO 3

Con tensione di rete 115 V, porre (o lasciare) il connettore nella posizione 115Vac (vedere la foto 4) in accordo con la serigrafia del circuito stampato (in modo che il polo centrale sia collegato a quello sinistro, guardando il connettore frontalmente).



FOTO 4

Rimontare lo schermo metallico dell'alimentatore ed il coperchio superiore dell'apparecchio.

Prima di collegare l'apparecchio rete, assicurarsi che il fusibile inserito nel connettore per l'alimentazione (posto sul pannello posteriore) sia quello corretto per la tensione in uso (leggere le indicazioni poste sotto il connettore stesso).

**AMPLIFICATORE**

POTENZA D'USCITA	320 W (RMS)
DISTORSIONE (A 1 KHZ, POTENZA NOMINALE)	< 0,3 %
CONTROLLO PRESENCE (INGRESSI 1 ÷ 4)	+ 9,5 dB @ 2,2 kHz
FILTRO PASSA-ALTO (INGRESSI 1 ÷ 4)	150 Hz
INGRESSI 1 ÷ 4, LINEA	
Sensibilità d'ingresso nominale -	- 7 dBu
Livello massimo -	+ 21 dBu
Rapporto segnale / rumore -	80 dB
Risposta in frequenza (- 3 dB) -	70 Hz ÷ 11,5 kHz
Impedenza a 1 kHz -	20 kΩ (bilanciato) / 10 kΩ (sbilanciato)
INGRESSI 1 ÷ 4, LINEA CON PHANTOM	
Sensibilità d'ingresso nominale -	- 26 dBu
Livello massimo -	0 dBu
Rapporto segnale / rumore -	80 dB
Risposta in frequenza (- 3 dB) -	70 Hz ÷ 11,5 kHz
Impedenza a 1 kHz -	6,5 kΩ (bilanciato)
INGRESSI 1 ÷ 4, MIC./ MIC. CON PHANTOM	
Sensibilità d'ingresso nominale -	- 56 dBu
Livello massimo -	- 28 dBu
Rapporto segnale / rumore -	65 dB
Risposta in frequenza (- 3 dB) -	70 Hz ÷ 11,5 kHz
Impedenza a 1 kHz -	20 kΩ (bilanciato) / 10 kΩ (sbilanciato)
INGRESSO AUX INPUT -	
Sensibilità d'ingresso nominale -	0 dBu (regolabile)
Campo di regolazione -	- 11 ÷ + 10 dBu
Livello massimo -	+ 14 ÷ 24 dBu
Rapporto segnale / rumore -	79 dB
Risposta in frequenza (- 3 dB) -	40 Hz ÷ 14,5 kHz
CONTROLLI TONI AUX INPUT	
Bass -	± 8 dB a 80 Hz
Treble -	± 8 dB a 13 kHz
TENSIONE / CORRENTE "PHANTOM POWER"	32 V / 18 mA
LIVELLO USCITA PRE OUT	0 dBm (dipende dai volumi dei canali, controllo di presenza, controlli e selettori musica; non dipende dal controllo MASTER su pannello frontale o remoto)
LIVELLO USCITA PAGING OUT	0 dBm (dipende dai volumi dei canali e dal controllo di presenza; non dipende dal controllo MASTER su pannello frontale o remoto)
LIVELLO USCITA MUSIC OUT	0 dBm (dipende dai controlli e selettori della musica; non dipende dal controllo MASTER su pannello frontale o remoto)
LIVELLO USCITA MUSIC ON HOLD	0 dBm (dipende solo dal controllo AUX INPUT GAIN)
USCITE DIFFUSORI	
• Bassa impedenza	4 Ω - potenza: 2 W
• Tensione costante	70 V (16 Ω) / 100 V (31 Ω) - potenza: 320 W

RADIO

Banda FM	87,5 ÷ 108 MHz
Risposta in frequenza FM	30 Hz ÷ 15 kHz
Separazione tra canali FM (1 kHz)	≥ 30 dB
Reiezione intermedia FM	≥ 70 dB
Reiezione immagine FM	≥ 50 dB
Rapporto segnale / rumore FM	≥ 55 dB
Banda AM (MW)	522 ÷ 1620 kHz
Ingresso antenna	75 Ω - Coassiale

CD AUDIO

Risposta in frequenza	20 Hz ÷ 20 kHz
Rapporto segnale / rumore	≥ 80 dB
Distorsione T.H.D. (1 kHz)	< 0,2 %
Separazione tra canali	≥ 55 dB

PROTEZIONI

Amplificatore	Corto circuito, termica
Carico	DC Offset Delay, Fusibile d'uscita
Alimentazione	Fusibili di rete

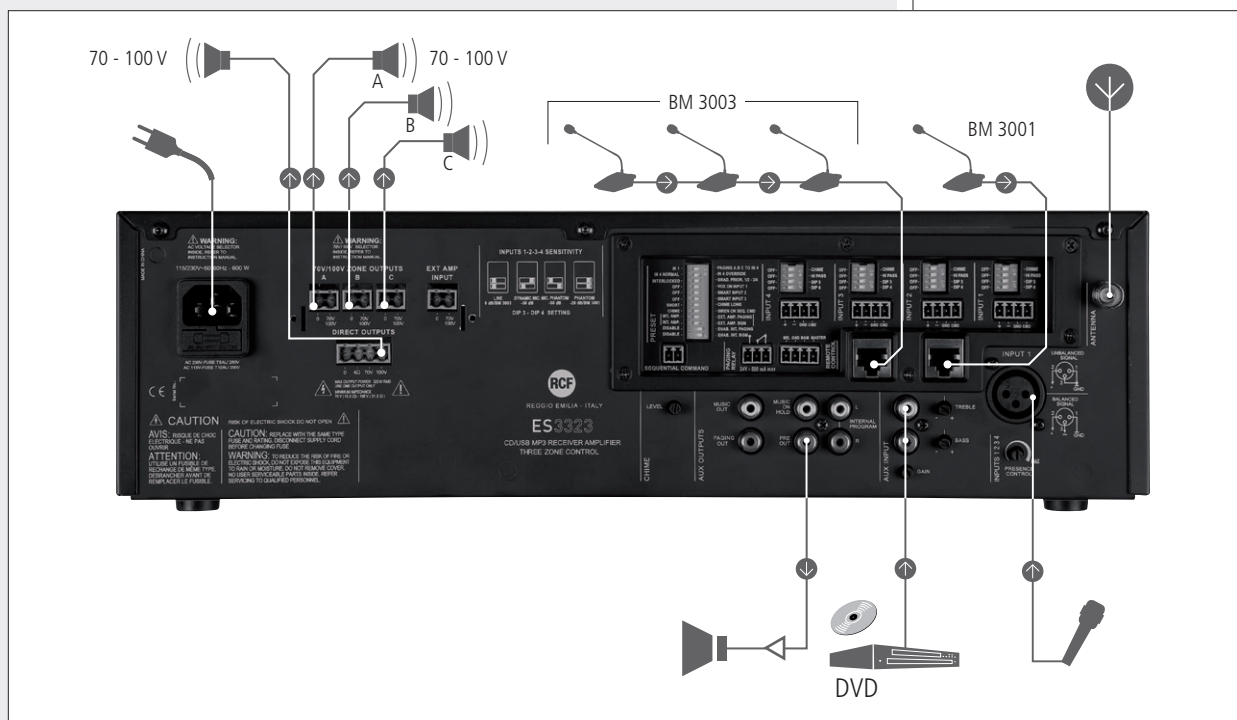
GENERALE

Tensione di alimentazione	115-230V / 50-60 Hz
Potenza assorbita	600 W
Dimensioni (l, h, p)	444 mm, 127 mm, 345 mm
Peso (Netto)	10,1 kg



A. Sistema per annunci su 3 zone utilizzando il solo amplificatore interno (la musica non è mantenuta nelle zone non selezionate durante un annuncio).

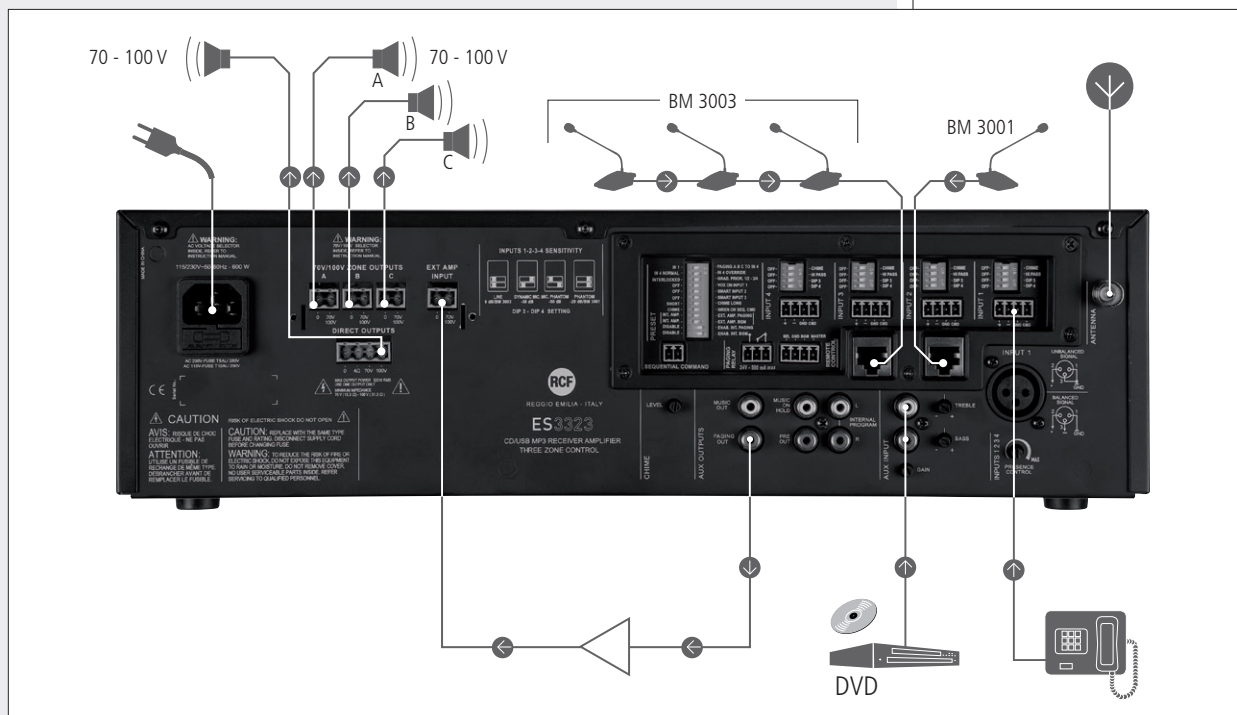
Sono previsti: un microfono di emergenza prioritario collegato all'ingresso 1, una base microfonica BM 3001 (ingresso 2) ed una catena di BM 3003 per gli annunci (ingresso 3).



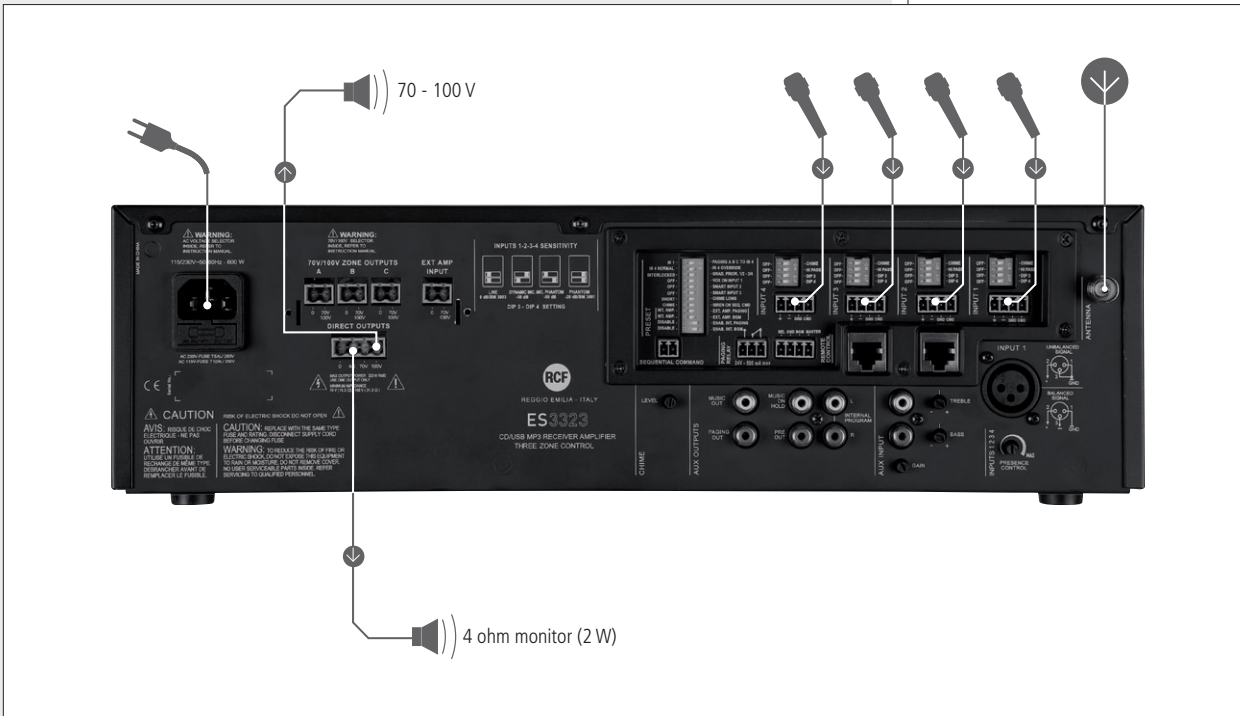
B. Sistema per annunci su 3 zone in modalità di doppia amplificazione "A" (è previsto un amplificatore esterno per gli annunci).

La musica è amplificata dall'amplificatore interno ed è mantenuta nelle zone non selezionate durante un annuncio.

Sono previsti: il collegamento alla centrale telefonica (ingresso 1) e due catene di basi microfoniche BM 3003 per gli annunci (ingressi 2 e 3).



C. Miscelazione di 4 microfoni (con controlli di livello separati) ed utilizzo della sola uscita diretta (70 - 100 V) per i diffusori acustici.
 L'uscita 4 Ω (max. 2 W) permette l'ascolto del programma diffuso tramite un diffusore monitor dedicato.



Except possible errors and omissions.
RCF S.p.A. reserves the right to make modifications without prior notice.

Salvo eventuali errori ed omissioni.
RCF S.p.A. si riserva il diritto di apportare modifiche senza preavviso.

HEADQUARTERS:

RCF S.p.A. Italy
tel. +39 0522 274 411
e-mail: info@rcf.it

RCF UK
tel. 0844 745 1234
Int. +44 870 626 3142
e-mail: info@rcfaudio.co.uk

RCF France
tel. +33 1 49 01 02 31
e-mail: france@rcf.it

RCF Germany
tel. +49 2203 925370
e-mail: germany@rcf.it

RCF Spain
tel. +34 91 817 42 66
e-mail: info@rcfaudio.es

RCF Belgium
tel. +32 (0) 3 - 3268104
e-mail: belgium@rcf.it

RCF USA Inc.
tel. +1 (603) 926-4604
e-mail: info@rcf-usa.com



www.rcfaudio.com