

# Monitor

series



## MONITOR SPEAKER

# MQ 30P

### TWO-WAY MINIATURE MONITOR SPEAKER SYSTEM

The MQ30P is an orientable two-way mini-speaker. The components are a 3" woofer and a coaxial dome tweeter that ensure a wide angle of coverage. Combined with a subwoofer, the MQ30P allows high quality music distribution with high output levels. An important feature of the MQ30P is that it provides consistent reproduction of all the frequencies involved in voice transmission and therefore, alone or in combination with a subwoofer, makes it possible to obtain a high level of vocal intelligibility. The MQ30P has been designed to adhere closely to the wall or ceiling and thus it has a limited protrusion. The built-in hinged support makes the speaker easy to install and orient in any direction.

Like the other Monitor Q products, MQ 30P installation is simple and flexible. First, the support is mounted on the wall and the connector is wired; then, when the premises is completely furnished, the installation, orientation, and connection of the mini-speaker are immediate.

The speaker can be connected to constant voltage audio lines at 70 V or 100 V or to constant impedance lines (switch positioned to 16 Ohm).

### Applications

- Foreground/Background Music
- Distributed Speech Reinforcement
- AV Production/Playback
- Near-field Monitoring

### Features

- 3 1/2" PP cone woofer
- 0.75" dome coax tweeter
- Built-in, multi-tap transformer
- 16Ω low impedance connection facility
- Built-in, LICC crossover with dynamic protection
- High density polystyrene HB grade UV stabilized
- Unobtrusive slide-in wall mounting accessory
- Fast plug-in electrical connector

### SYSTEM

Freq. Range (-10 dB):	160 – 20.000 Hz
Freq. Response (-3 dB):	180±18000 Hz
Horz. Coverage Angle (-6 dB):	120°
Vert. Coverage Angle (-6 dB):	120°
Directivity Factor; Q (DI):	8 (9)
System Sensitivity <sup>1</sup> :	88 dB SPL 1W/1m
Rated Maximum SPL:	102 dB, @ 1m
System Nominal Impedance:	16 Ω (bypassed)
System Input Power Rating <sup>2</sup> :	12W IEC, 24W Peak
Recommended Amplifier <sup>3</sup> :	12 W
Constant Voltage:	100V / 70,7V
Power Taps:	6W, 12W, [100V]

### TRANSDUCERS

Type of speaker:	2 way pneumatic suspension loudspeaker, LF 3 1/2" - HF 0,75" coaxial soft-dome tweeter
------------------	---

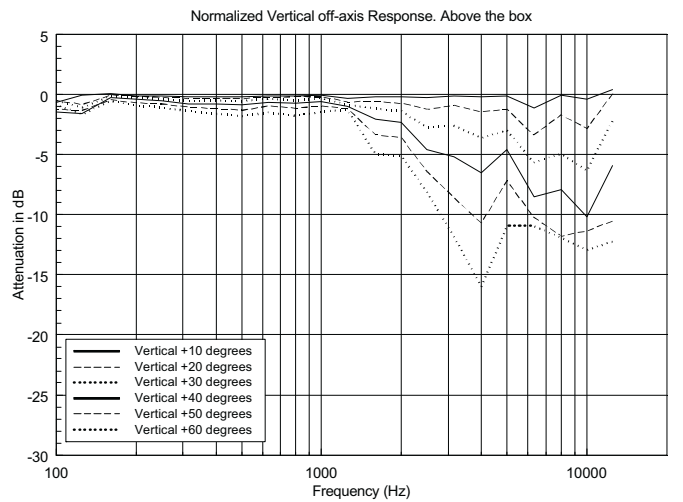
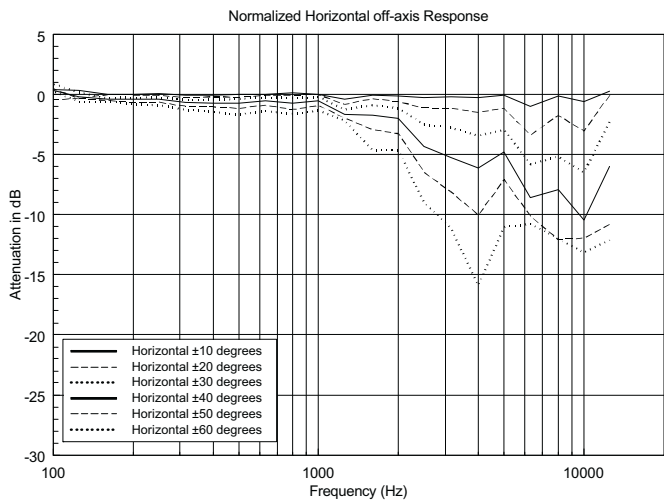
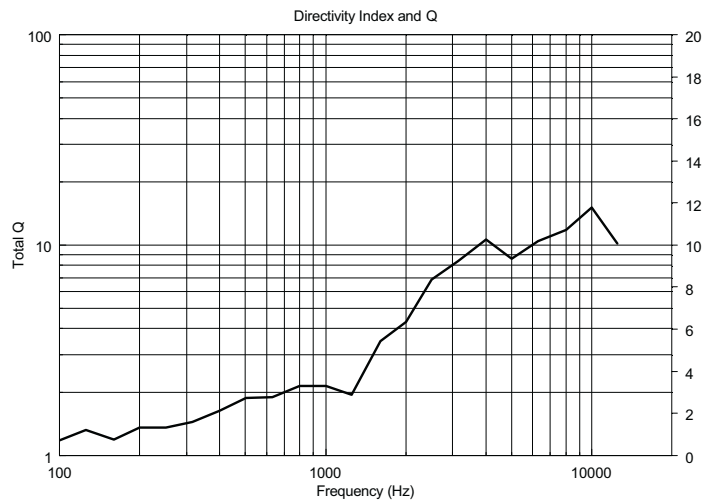
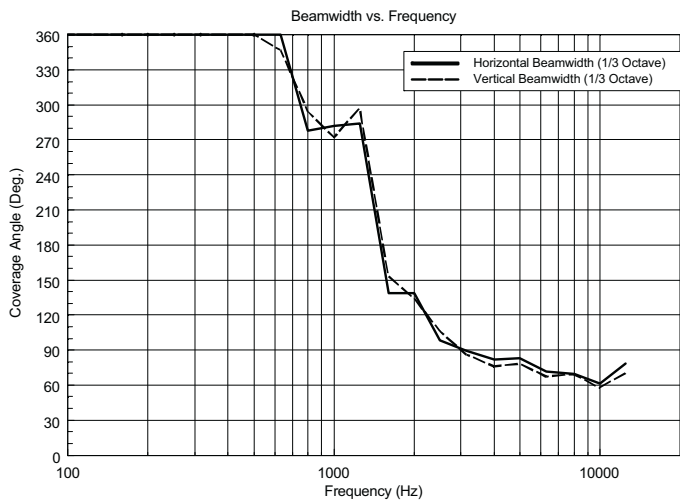
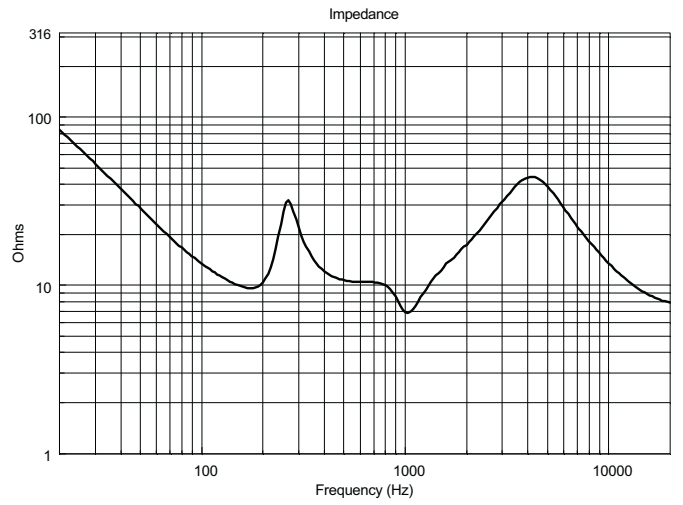
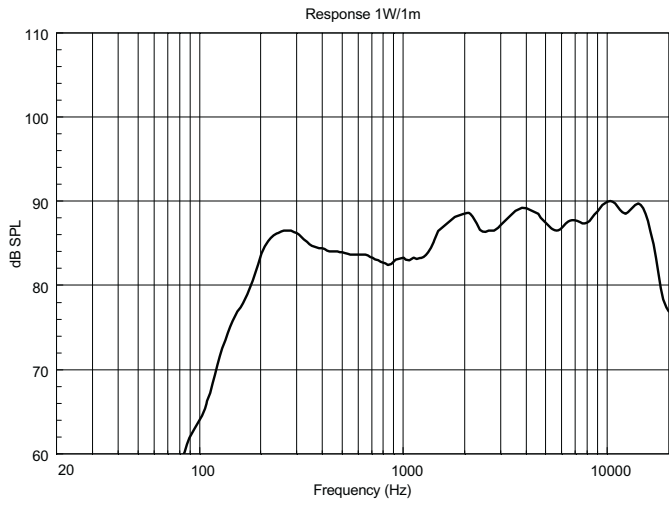
### PHYSICAL

Enclosure:	high density polystyrene
Grille:	Matching perforated steel grille
Input Connectors:	Bipolar Eurobolck
Dimensions (HxWxD):	3.93"x3.93"x7.32" (100x100x186 mm)
Net Weight:	2.4 lb. (1,1 kg)

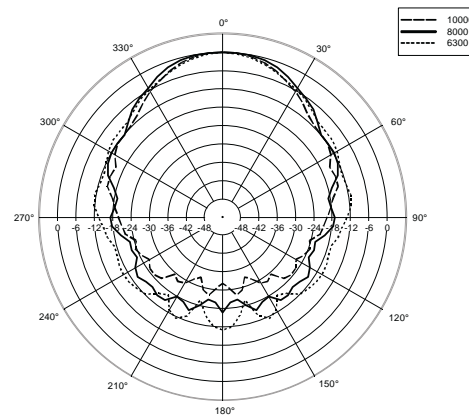
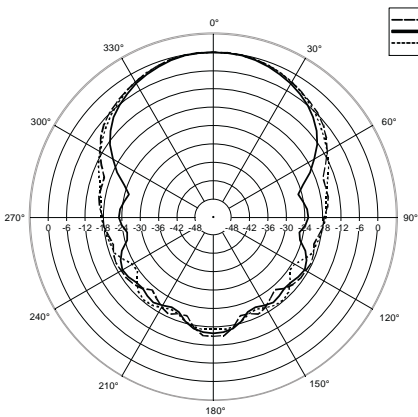
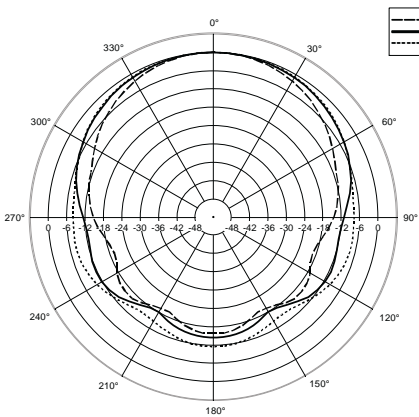
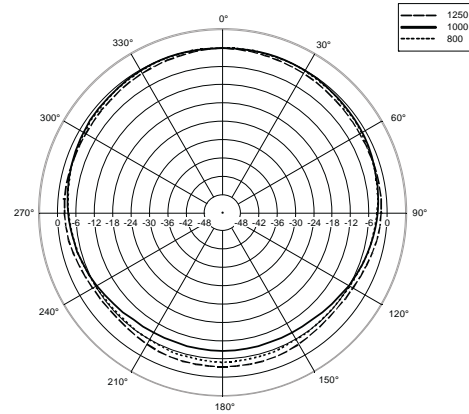
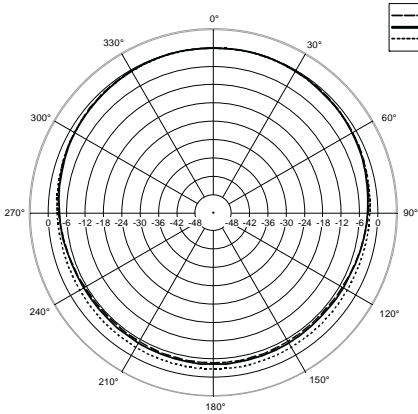
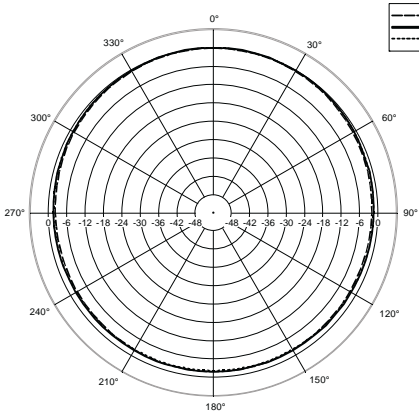
<sup>1</sup> Measured on axis in the far field with 1 watt (2.00 V RMS, 4) input and referenced to 1 meter distance using the inverse square law. Listed sound pressure represents an average from 300Hz to 3kHz.

<sup>2</sup> IEC Spectrum, Peak for 2 hours with +4.5 dB crest factor.

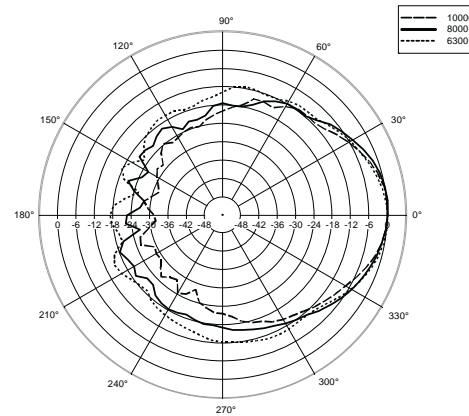
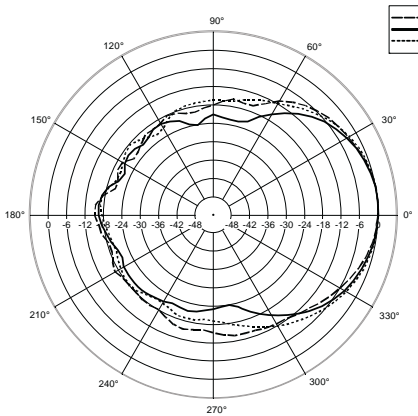
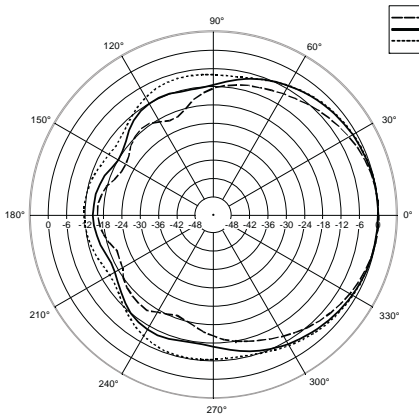
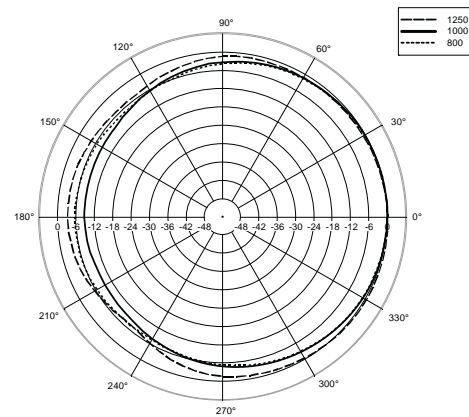
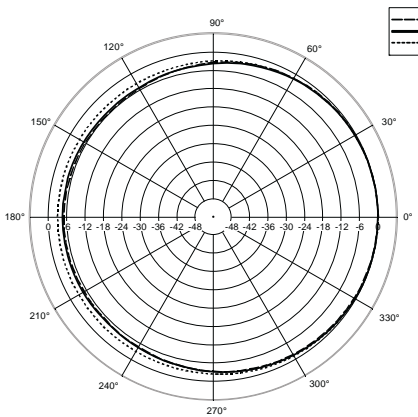
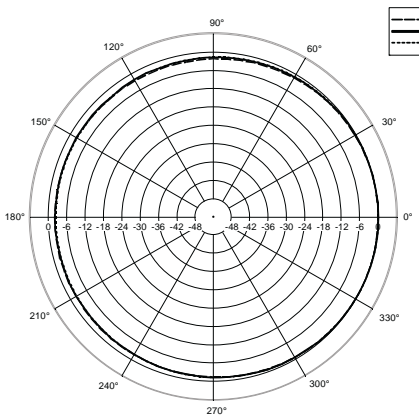
<sup>3</sup> Recommended Amplifier is a power capability value that should be taken as a guide.



### Horizontal 1/3 Polar Plot



### Vertical 1/3 Polar Plot



CSI PRODUCT SPECIFICATIONS FOR DESIGNERS, SPECIFIERS, AND CONSULTANTS (ALSO KNOWN AS "A&E SPECIFICATIONS")  
 The following are "Part 2 Products" CSI-type specifications. It is assumed that "Part 1 General – Administrative and Procedures" and "Part 3 Execution – Installation and Maintenance" are part of an overall audio system or project specification.  
**PART 2 PRODUCTS**

**2.01 Approved Manufacturer/Product**

- A. RCF, Via Raffaello 13, 42010 Mancasale, Reggio Emilia, Italy.
- B. Model number: MQ 30P

**2.02 Design**

Configuration	2 way pneumatic suspension loudspeaker,
LF Sub-section/HF Sub-section	LF 3 1/2" - HF 0,75 coaxial soft-dome tweeter

**2.03 Acoustical Proprieties**

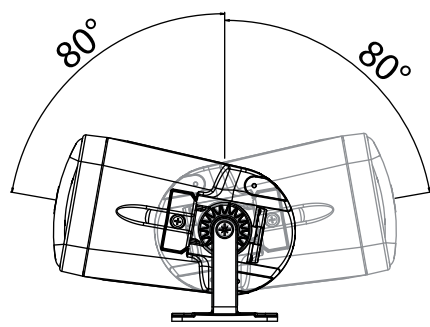
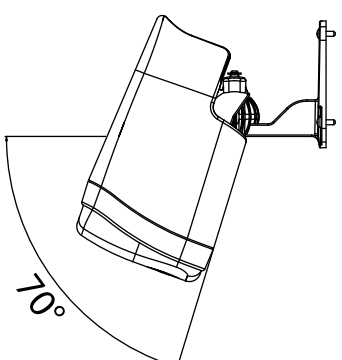
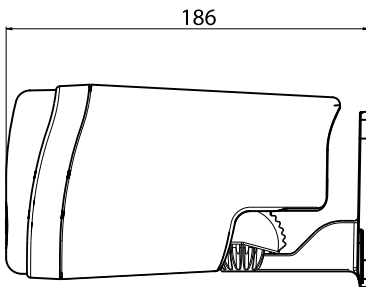
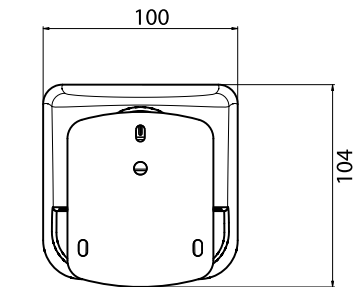
Nominal dispersion angle:	Horizontal: 120° - Vertical: 120°
Axial frequency range:	160 – 20.000 Hz

**2.04 Physical Properties**

Cabinet:	Composite PP
Color:	white / anthracite grey / silver
Grille:	Custom perforated steel grille with open-cell poly fiber backing
Input Connectors:	Bipolar Euroblock
Dimensions (H x W x D):	3.93"x3.93"x7.32" (100x100x186 mm)
Weight:	2.4 lb. (1,1 kg)

**2.05 Accessories**

- Wall Mount (Included)
- Safety Lace (Included)



RCF SpA Italy:  
 tel. +39 0522 274 411  
 fax +39 0522 232 428  
 www.rcfaudio.com  
 e-mail: info@rcf.it

RCF UK Sales Office:  
 tel. +44 870 626 3142  
 e-mail: info@rcfaudio.co.uk

RCF France Sales Office:  
 tel. +33 6 07501800  
 e-mail: rcfrance@aol.com

RCF Germany Sales Office:  
 tel. +49 2203 925370  
 e-mail: germany@rcf.it

RCF USA Inc.:  
 tel. +1 (603) 926 4604  
 e-mail: info@rcf-usa.com