

eAMP1-S8 & S16-MDA



3G-SDI, AES3 & Analog Audio Monitoring & Metering with Optional Signal Upgrades



8 channel or 16 channel, baseband only, shallow depth, 3G-SDI input, AES3 & analog audio monitor with a 7" wide touchscreen.



OPT-e package adds:

- Presets
- Loudness Monitoring
- Web metering/monitoring /configuration

The eAMP1-S8 & S16-MDAs offer fast and intuitive confidence monitoring of 3G/HD/SD-SDI, AES3 and analog audio sources. Whether in the studio or on the road, this unit provides simultaneous selection and summing of the selected source. It features adjustable volume and balance controls, clear display of levels, and phase indications.

Flexible & Adaptable

The eAMP1-S8 & S16-MDAs are designed to be much easier to operate than the retired S8's and include a wide 7" LCD touchscreen display providing fast access to input sources, meters and menus, all augmented by hardware controls. And while we are putting our best price forward with a basic monitoring package that includes 3G/HD/SD-SDI, AES and Analog inputs (no IP options), a software upgrade package that includes loudness, presets, web meters/monitoring/configuration and customized output routing is available to bring its functionality in line with the more recent iSeries offerings in our price list. Dolby D, DD+ and E decoding are also optional add-ons.

Features/Benefits

- Low cost and energy efficient
- Simultaneous level metering of 8 or 16 de-embedded audio channels from SDI input, AES or Analog sources
- Quick, intuitive push-button or touch selection of any channels or pairs to sum, mute or solo
- Monitor through built-in speakers, headphones or analog outputs with Optional muting for internal speakers
- Stereo phase indicators
- Adjustable Volume and Balance
- Balanced stereo analog outputs on XLR-Ms. Fixed level or volume/balance controlled.
- Automatic frame rate detection and selection
- Selectable line level or front panel volume control and outputs
- Shallow chassis depth for easy installation in OB vehicles and consoles
- OPT DOLBY adds decoding of *Dolby D, DD+ and E (requires OPT-e package)
- APIs provide easy integration with 3rd party systems (requires OPT- e package)

Model	Part ID	Description
eAMP1-S8-MDA	8300-0110	1RU - includes 3G SDI input, 4 pairs of AES in/out, 8 channels of Analog in/out, a pair of Analog inputs on RCA and a pair of Analog outputs on XLR.
eAMP1-S16-MDA	8300-0210	1RU - includes 3G SDI input, 4 pairs of AES in/out, 8 channels of Analog in/out, a pair of Analog inputs on RCA and a pair of Analog outputs on XLR.
Options		
OPT-e package	829186	Adds Loudness monitoring, Presets & Web metering/monitoring/configuration
OPT-e Output Routing	829188	Enables the flexibility to route input signals (AES & Analog only) to various outputs. Software activation key.
OPT-DOLBY	829174	Allows decoding and monitoring of Dolby® D, DD+ & E. Includes Dolby Zoom & metadata. *This option requires OPT-e package

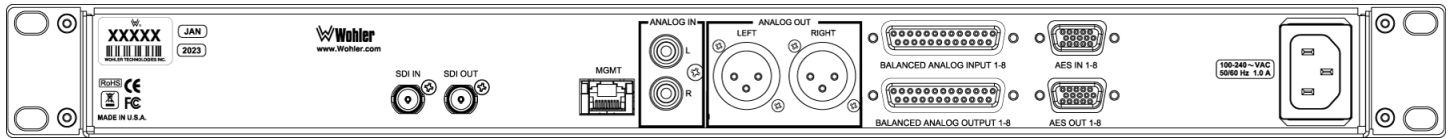


eAMP1-S8 & S16-MDA

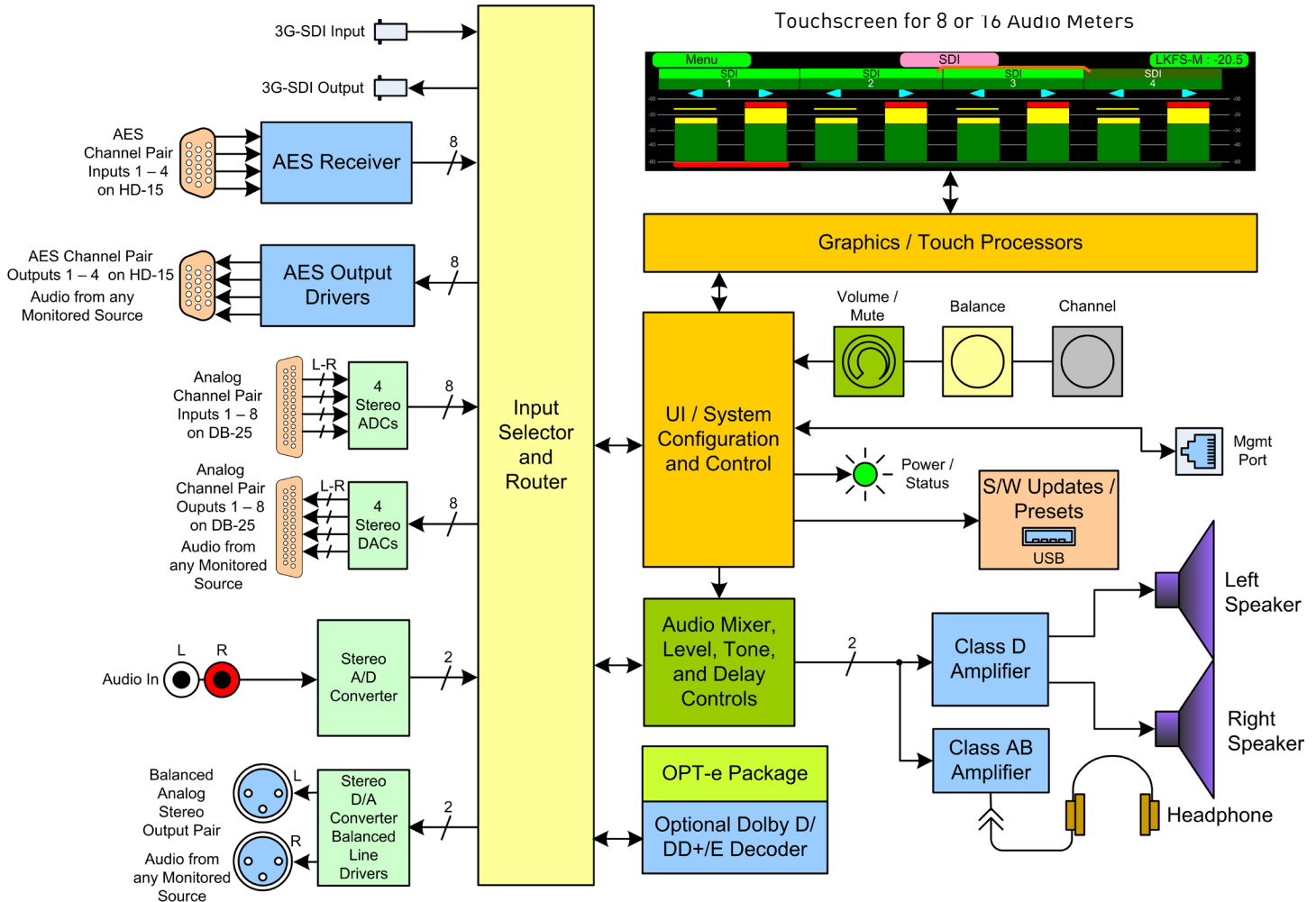


3G-SDI, AES3 & Analog Audio Monitoring & Metering with Optional Signal Upgrades

Rear Panel



Block Diagram



Specifications	
Dimensions (W x H x D)	1RU in standard 19" rack: 19" x 1.75" x 5.5" (483 mm x 45 mm x 140 mm). Shipping dims: 23"x 6"x 12"
Shipping Weight / Net Weight	5.8 lbs. (2.6 kg) / 3.3 lbs. (1.5 kg)
Power Consumption / Supply	19W, 100 to 240 VAC ± 10%, 50-60 Hz, CE & UL approved
Display Type / Resolution	7" (178 mm) LCD Capacitive Touchscreen; 1242H x 280V
Viewing Angle	160 (H) x 160 (V)
Audio Channels	eAMP-S8-MDA (8 Max) eAMP-S16-MDA (16 Max)
Hum and Noise	Better than -68 dB below full output
Peak Acoustic Output	90 dB SPL @ 2 feet
Speaker Power Output	5W RMS per side, 12W Peak
Upgrades	Via USB or GUI web interface

Specifications subject to change, errors and omissions excepted
 All trademarks, product names and images are the property of their respective owners
 Any rights not expressly granted herein are reserved. REV: 06/06/23