

iAM-AUDIO2-8



3G-SDI & Analog Audio Monitoring & Metering with Optional Signal Upgrades



8 channel, dual screen, 3G-SDI & Analog Audio Monitor with optional 2022-7 support, plus options to license additional input signals.



The new iAM-AUDIO2-8 is a well featured, easy to use, competitively priced 8 channel IP ready audio monitor which comes standard with 3G-SDI and Analog inputs, loudness monitoring and phase status. Designed as a replacement for our AMP2-S8 & E8 -MDA-3G, it shares many of the same features as our iAM-AUDIO-2 PLUS. License other signal formats and processing options, including Dolby, AoIP, Toslink and 8 channel Analog, as and when needed, either initially or after purchase.

Flexible. Adaptable. Future Proof.

iAM-AUDIO2-8 is designed to be easy to operate, providing fast access to meters, menus and presets. Options for additional signals, including AES3, MADI64, Dante™, Ravenna™, SMPTE-2110 and SMPTE-2022-7.

All iAM Series monitors contain an onboard web server. Multiple units on the same network can be updated, monitored and controlled via a browser-based user interface that supports fast configuration with role-based authentication that protects critical configurations from unauthorized alteration.

Features/Benefits:

- Audio monitoring (up to 8 channels) from multiple sources
- Up to 64 presets
- 2 x 3G-SDI Inputs on BNC; 1 x 3G-SDI Output on BNC + 1 pair Analog in/out on XLR
- Optional Output routing enables the flexibility to route input signals to various outputs
- Optional I/O for AES3 on HD-15 (incl selected audio source converted to AES3 out), MADI on BNC (looped out), and SMPTE 2110 or SMPTE 2022 via SFP
- Phase status + Measure Audio Loudness using ITU-R BS.1770 or EBU R128 standards
- Option cards for AoIP or an additional 8 channels of analog inputs and outputs
- Software upgradeable via USB or network
- APIs for remote management

Model	Part ID	Description
iAM-AUDIO2-8 (Base Unit)	8114-0550	2RU Base unit, includes SDI & Analog as standard
I/O Options		
OPT-AES	829080	Enables decoding and monitoring of 4 x AES inputs, 1 AES Output
OPT-MADI	829092	Enables decoding and monitoring of 1 x MADI64 input via BNC
OPT-DOLBY (iVAM/iAM AUDIO-1&2-3G)	829174	Allows decoding and monitoring of Dolby® D, DD+ & E. Includes Dolby zoom & metadata
SFP-MM-MADI-FIBER	829081	MADI fiber transceiver, Multimode; LC Connectors
SFP-SM-MADI-FIBER	829082	MADI fiber transceiver, Single mode; LC Connectors
SFP-SDI	829089	3G/HD/SD-SDI single video receiver w/ active loopback, HD-BNC
SFP-SDI-Fiber	829084	3G/HD/SD-SDI or ASI single receiver w/ active loopback, HD-BNC
SFP-2110 w/Ember+	829086	Receiver; Multi-Mode 850 NM, LC Connectors
SFP-2110 w/NMOS	829086-1	Receiver; Multi-Mode 850 NM, LC Connectors
SFP-2022	829088	Receiver; LC Connectors
SFP-2110 w/Ember+ +2022-6	829087	Either-Or; Multi-Mode 850 NM, LC Connectors
SFP-2110 w/NMOS+2022-6	829087-1	Either-Or; Multi-Mode 850 NM, LC Connectors
OPT-OUTPUT ROUTING	829159	Enables the flexibility to route input signals to various outputs
Option Cards		
OPT-ANLG/TOS (iVAM & iAM-AUDIO)	829170	Enable monitoring of 8 Analog channels on DB-25. TOSLINK included.
OPT-DANTE (iVAM & iAM-AUDIO) ** Inc. AoIP Card	829171	Enable decoding and monitoring of Dante™ input streams. ** Inc. AoIP card. Enables 2 x RJ-45 ports for 2022-7 support (for Dante, Ravenna and 2110-30) + SFP cage allowing MM and SM SFP's for AoIP Signals. TOSLINK included.
OPT-RAVENNA 64 (iVAM & iAM-AUDIO) ** Inc. AoIP Card	829172	Enable monitoring of up to 64 ch Ravenna™ / AES67 Input. NMOS support. TOSLINK included.

iAM-AUDIO2-8



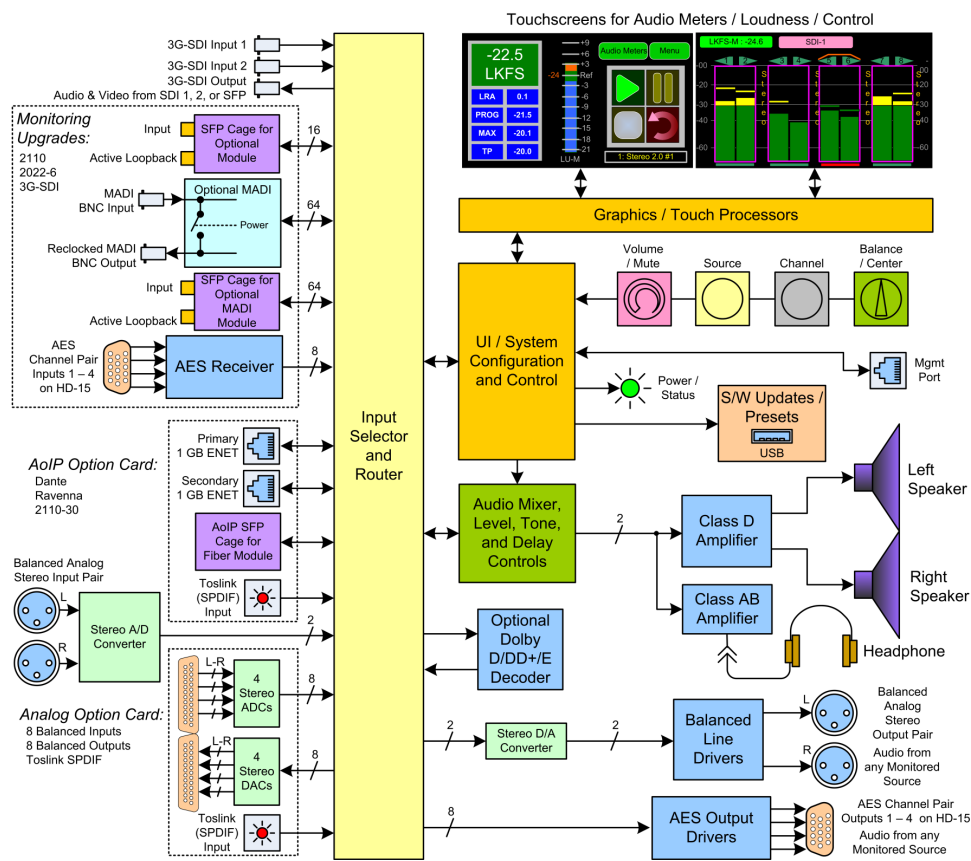
3G-SDI & Analog Audio Monitoring & Metering with Optional Signal Upgrades
Rear Panel & Option Cards



* OPT-DANTE & OPT- RAVENNA prices include AoIP card.

* Only 1 x AoIP card or 1 x OPT-iVAM-ANALOG may be fitted at one time

Block Diagram



Specifications	
Dimensions (W x H x D)	2RU in standard 19" rack: 19" x 3.5" x 5.5" (483 mm x 89 mm x 140 mm)
Shipping Weight / Net Weight	10.0 lbs. (4.5 kg) / 8.0 lbs. (3.6 kg)
Power Consumption / Supply	60W, 100 to 240 VAC ± 10%, 50-60 Hz, CE & UL approved
Display Type / Resolution	4.3" (109 mm) LCD Capacitive Touchscreen x 2; 480H x 272V
Viewing Angle	160 (H) x 160 (V)
Audio Channels	16 Max
Hum and Noise	Better than -68 dB below full output
Peak Acoustic Output	104 dB SPL @ 2 ft
Speaker Power Output	RMS Each Side: 15W Continuous / 30W Peak
Upgrades	Via USB or GUI web interface
APIs	Provide easy integration with 3 rd party control systems

Specifications subject to change, errors and omissions excepted
All trademarks, product names and images are the property of their respective owners
Any rights not expressly granted herein are reserved. REV: 12/16/21