



# PMD-500D

## DVD, SD/SDHC & USB Media Player

The PMD-500D media player for DVD disc, SD/SDHC and USB satisfies every contractor's requirement for commercial installations. The ability to play several media formats paired with multiple audio/video output configurations and RS-232C control put this player in a class by itself for versatility. Operational settings are saved even after a power recycle, and settings such as Power-on-Play and front panel/IR remote locks enable automatic operation.

### Features

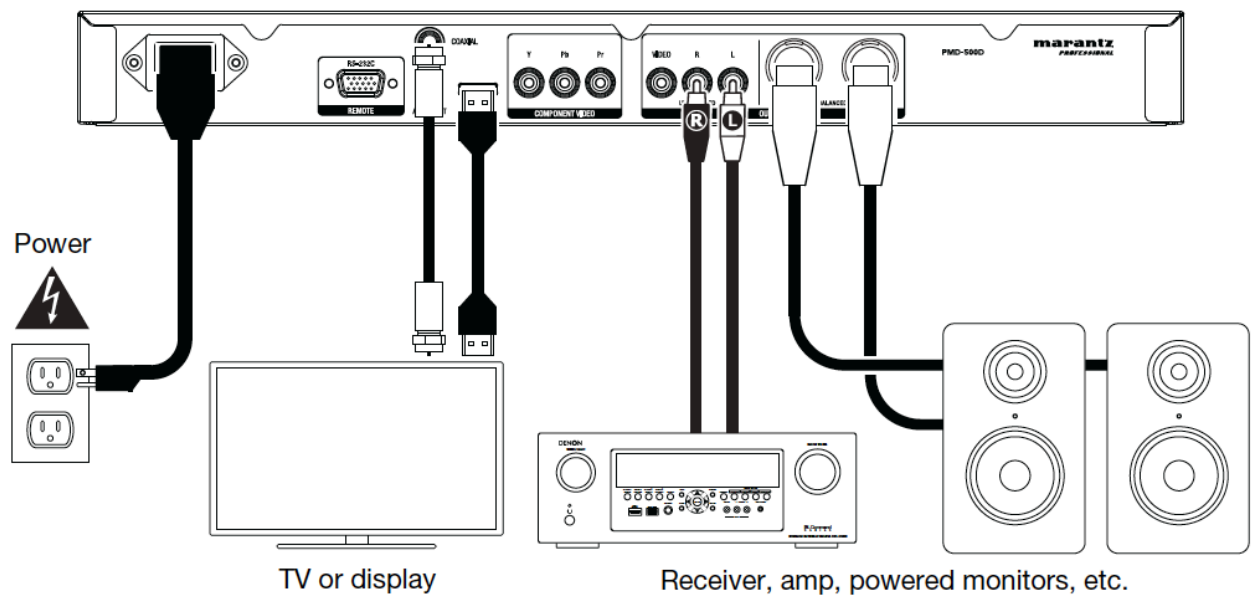
- HDMI, component and composite video output
- Balanced and unbalanced audio output
- Playback files from SD/SDHC and USB
- OSD hiding mode
- RS-232C control
- Panel lock and IR remote lock functions

### Box Contents

- AC Power Cable
- IR Remote Controller
- Battery for Remote Controller
- User Guide
- Safety & Warranty Manual
- Rack Ears & Screws



## Connectivity



## Technical Specifications

Digital System		
System	Digital media player (DVD, CD, USB device [mass storage class], SD Card)	
Supported Disc Formats	DVD	DVD, DVD+R, DVD-R, DVD+RW, DVD-RW
	CD	CD, CD-R, CD-RW, HDCD, Super Video CD (SVCD), Video CD (VCD)
Supported File Formats	Video	.3gp, .avi, .dat, .divx, .mp4, .mpg, .ogm, .vob
	Subtitles	.ass, .smi, .srt, .ssa, .sub
	Audio	.mp3, .ogg, .wma
	Picture	.jpg (or .jpeg)
Supported File Systems	FAT16, FAT32 USB drive (mass storage class) with < 2 TB total capacity SD/SDHC Card with < 128 GB total capacity	
Video	Resolutions	Auto, 480i/576i, 480p/576p, 720p, 1080i, 1080p
	Aspect Ratios	4:3 Pan & Scan, 4:3 Letterbox, 16:9 Wide, Wide Squeeze
	System	NTSC, PAL, Multi (if supported by TV)
	Output	HDMI > v1.3
	Decoding	Video: DivX 3, 4, 5, 6; MPEG-1; MPEG-2; MPEG-4; Xvid Audio: AAC; MPEG Audio; WMA

Audio	
Analog Outputs	Output Level (balanced XLR): +4 dBu
	Output Level (unbalanced RCA): 2.0 Vrms
Digital Output	Output Level (coaxial): 0.5V, 75 Ω
	Signal Format: AES/EBU
	Output Level (optical): -21 dBm to -15 dBm (660 nm ± 30 nm)
Frequency Response	10 Hz – 20 kHz (±1.0 dB)
Signal-to-Noise Ratio	> 100 dB (1 kHz, 0 dB, A-weighted)
Total Harmonic Distortion	< 0.05% (1 kHz, 0 dB, A-weighted)
Dynamic Range	> 106 dB (10–20,000 Hz, A-weighted)
Headroom	6 dB
Channel Separation	> 90 dB (1 kHz, 0 dB, A-weighted)

Communication	
Remote Control	Infrared protocol, > 200 mV transmission output level
Serial Remote	Connector: 9-pin D-Sub female, RS-232C
	Mode: Full duplex
	Baud Rate: 9600

## Technical Specifications Continued...

Other / General	
Connections	(2) XLR audio outputs (L/R, balanced) (2) RCA audio outputs (L/R, unbalanced) (1) Optical audio output (1) Coaxial digital audio output (1) HDMI audio/visual output (1) RCA Composite video output (3) RCA Component video outputs (Y/Pb/Pr) (1) 9-pin D-Sub female RS-232C port (1) IEC power connection
Power	Connection: IEC Requirement: 100–240 VAC, 50/60 Hz Consumption: 10 W
Environmental Conditions	Operating temperature: 41 – 95 °F (5 – 35 °C) Operating humidity: 25 – 85%, no condensation
Dimensions (width x depth x height, with rack ears)	19.00" x 10.75" x 1.73" 483 mm x 273 mm x 44 mm
Weight (with rack ears)	5.9 lbs. 2.7 kg