

C-MAX 4112

FULL RANGE HIGH POWER NEARFIELD SPEAKER

DESCRIPTION

The full-range passive two-way speaker RCF C MAX 4112 has been specifically designed as club systems for entertainment, to reach the best near field quality, vocal coherence, and a stable sound pressure level even at high volumes. It features a 12" woofer and a 1" compression driver. The passive C MAX Series speakers represent a further step of the famous COMPACT Series. Thanks to the bass reflex port, perfectly tuned on the back of the cabinet, the system gives its best when installed near walls, without the need of a subwoofer. It's perfect for KTV, Karaoke rooms, conference halls, AV installations, public areas and clubs.



FEATURES

- 130 dB Max SPL
- 800 WATT program power handling
- 60 - 20000 Hz Frequency Range
- Hi Resolution Custom RCF Precision Transducer
- Perfectly Tuned Crossover

TECHNICAL SPECIFICATIONS

Acoustical specifications	Frequency Response (-10dB):	60 Hz ÷ 20000 Hz
	Max SPL @ 1m:	130 dB
	Horizontal coverage angle:	90°
	Vertical coverage angle:	70°
	Directivity index Q:	11
	System Sensitivity:	98 dB
Power section	Amplification:	Full Range
	Nominal Impedance:	8 ohm
	Power Handling:	400 W
	Peak Power Handling:	1600 W PEAK
	Recommended Amplifier:	800 W
	Protections:	Bulb lamp
	Crossover Frequencies:	1800 Hz
Transducers	Compression Driver:	1 x 1.0" neo, 1.75" v.c
	Woofers:	12", 3.0" v.c
Input/Output section	Input connectors:	Speakon® NL4
	Output connectors:	Speakon® NL4
Standard compliance	Safety agency:	CE compliant
Physical specifications	Cabinet/Case Material:	Baltic birch plywood
	Hardware:	16 x M10
	Handles:	1 Top
	Pole mount/Cap:	Yes
	Grille:	Steel
	Color:	Black
Size	Height:	600 mm / 23.62 inches
	Width:	363 mm / 14.29 inches
	Depth:	407 mm / 16.02 inches
	Weight:	24.5 kg / 54.01 lbs
Shipping information	Package Height:	675 mm / 26.57 inches
	Package Width:	465 mm / 18.31 inches
	Package Depth:	425 mm / 16.73 inches
	Package Weight:	28 kg / 61.73 lbs

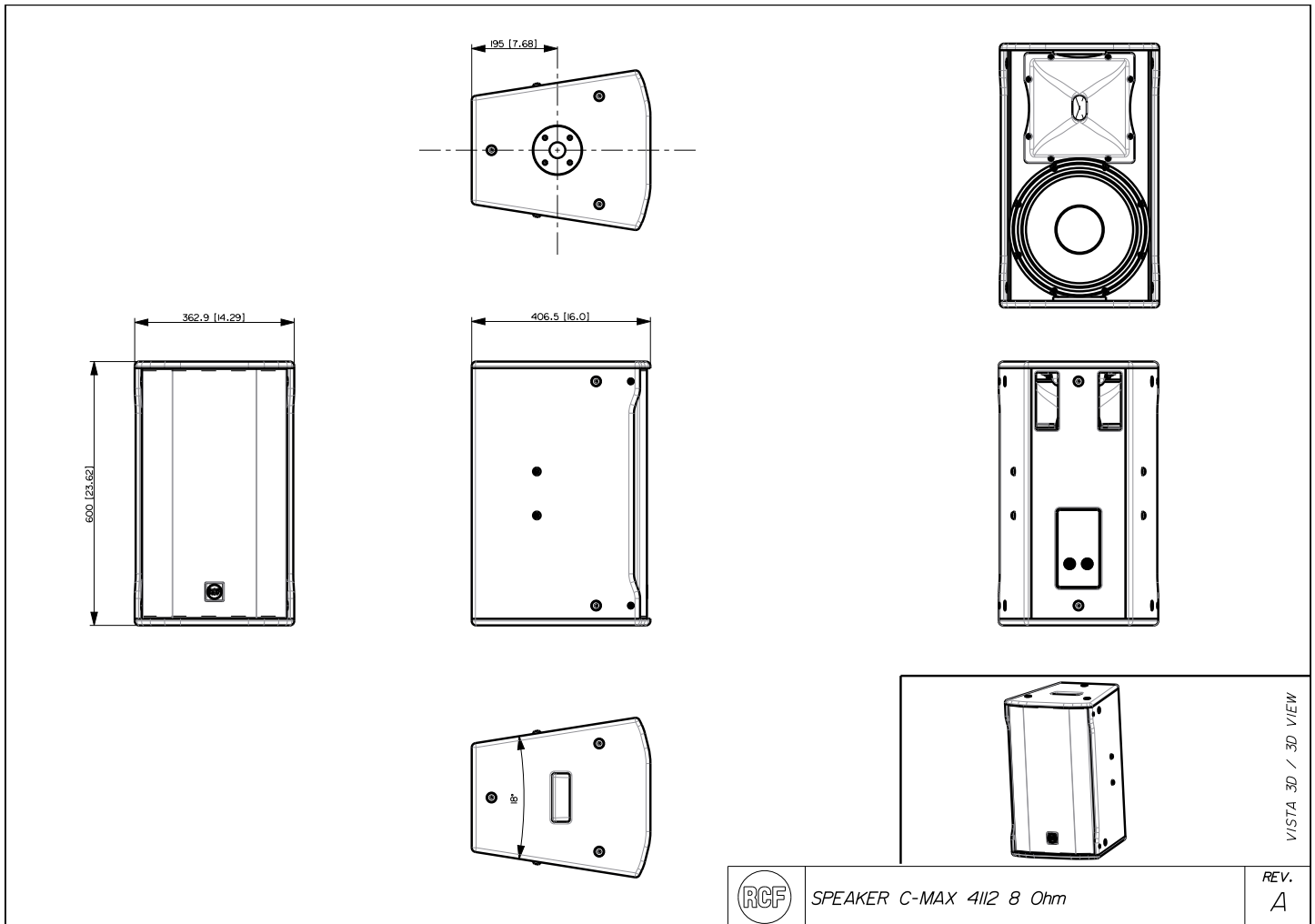


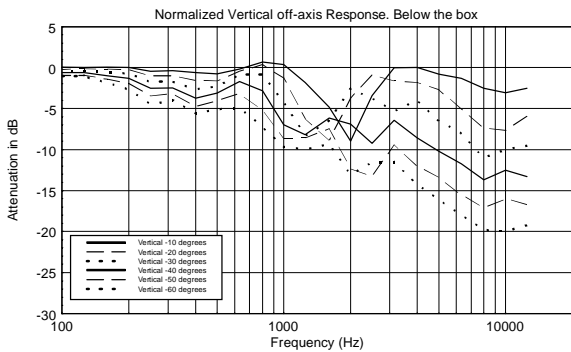
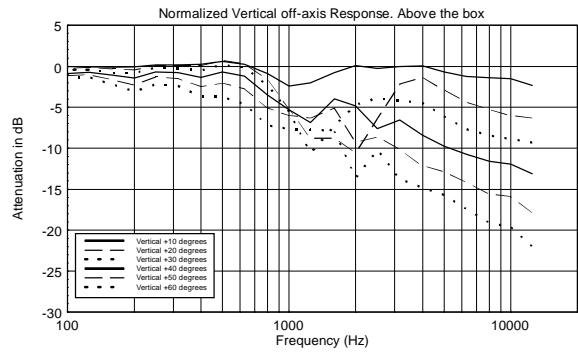
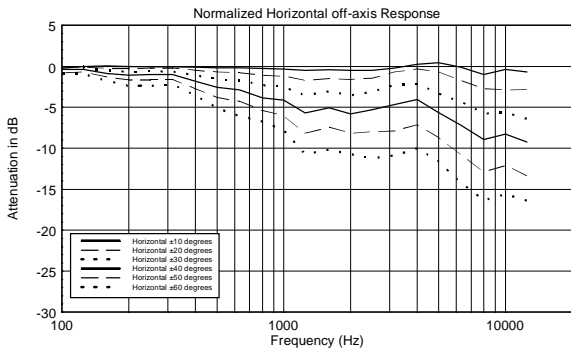
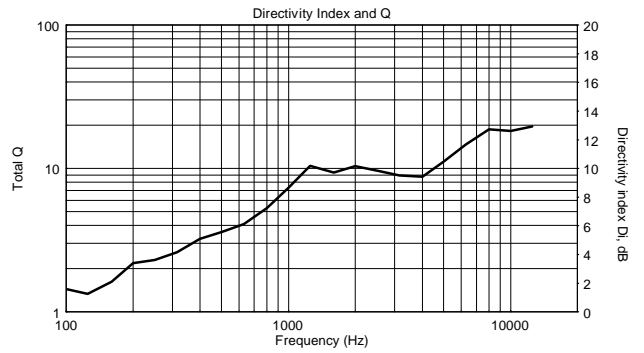
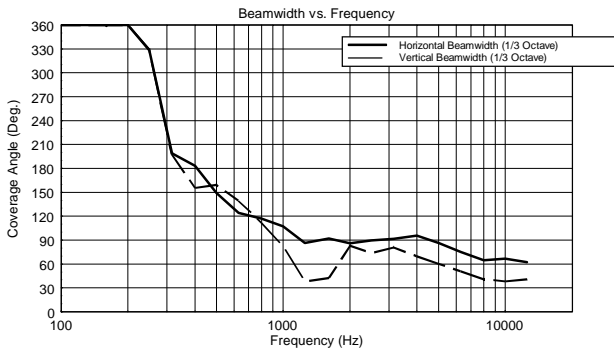
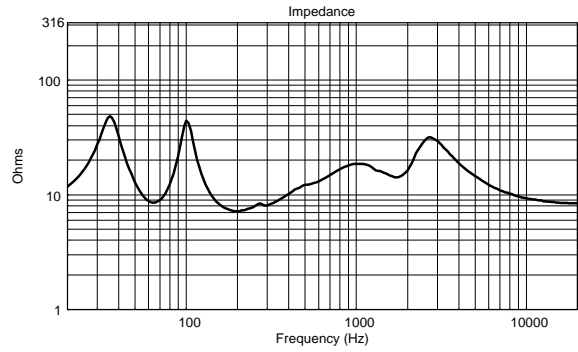
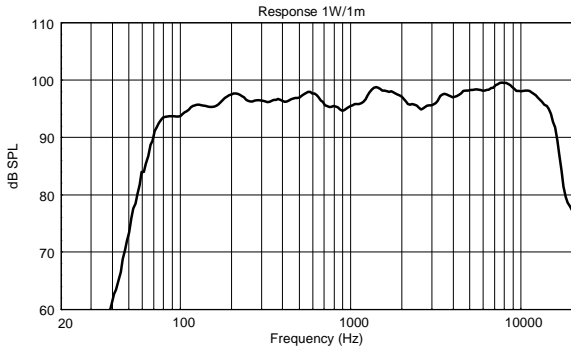
PART NUMBER

- **13000535**

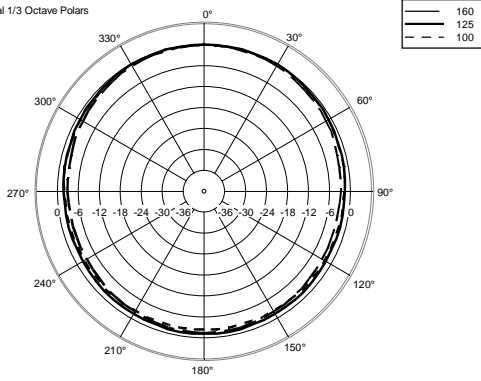
C-MAX 4112

EAN 8024530014681

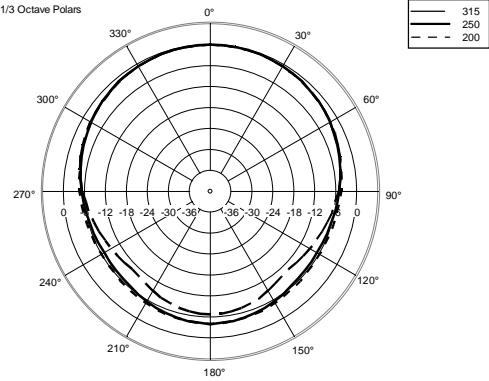




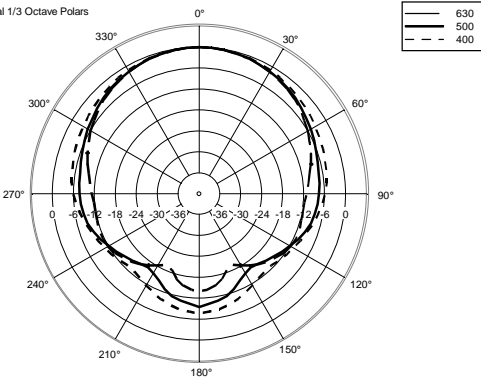
Horizontal 1/3 Octave Polars



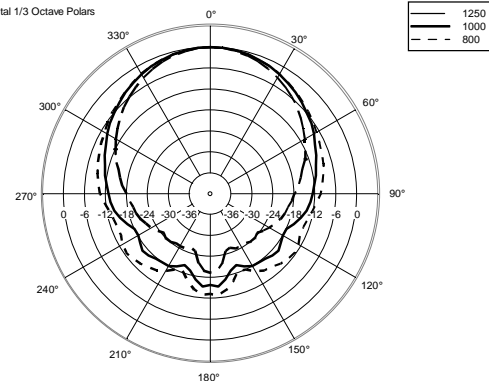
Horizontal 1/3 Octave Polars



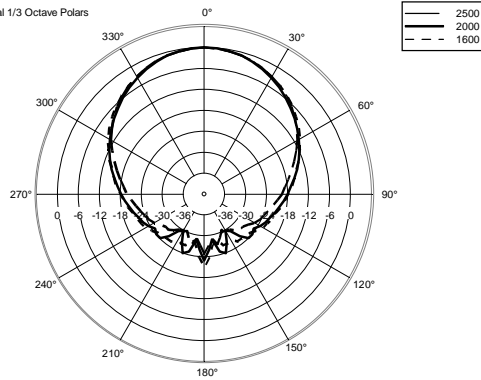
Horizontal 1/3 Octave Polars



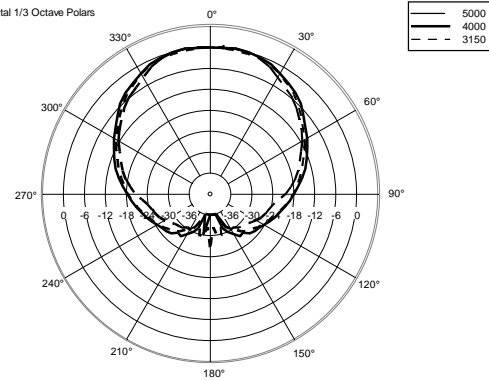
Horizontal 1/3 Octave Polars



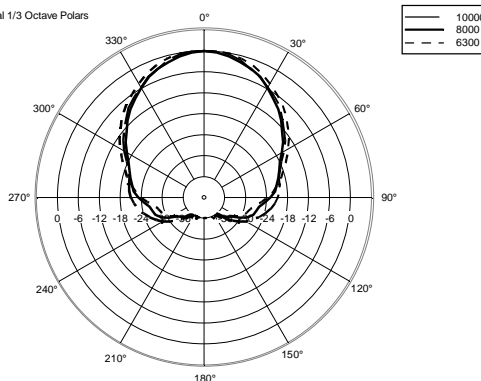
Horizontal 1/3 Octave Polars



Horizontal 1/3 Octave Polars



Horizontal 1/3 Octave Polars



Horizontal One Octave Polars

