

HD 410T

ALUMINIUM HORN SPEAKER WITH DRIVER AND TRANSFORMER

DESCRIPTION

The HD 410/T are compact, lightweight and watertight horn speakers. They are designed to provide high efficiency and characterized by the high intelligibility of the reproduced sound with low distortion. The built-in line transformer makes it possible to connect the horn loudspeaker to both 70 and 100 V constant voltage lines, and select the delivered power by means of a rotary dial on the rear cover



FEATURES

- Built-in line transformer with multitap power selector on rear cover
- Hi-pass filter for protecting driver against out-of-range low-freq
- IP 66 construction for indoor-outdoor environmental temperature between -25°C to +70°C
- Aluminum flare with UV-stabilized autoextinguishing UL-HB ABS rear cover
- Colour RAL 7035

TECHNICAL SPECIFICATIONS

Acoustical specifications	Frequency Response (-10dB):	180 Hz ÷ 7000 Hz
	Max SPL @ 1m:	130 dB
	Coverage angle:	90°
	System Sensitivity:	112 dB
Power section	Amplification:	Full Range
	Power Handling:	50 W
	Peak Power Handling:	200 W PEAK
	Recommended Amplifier:	100 W
Transducers	Compression Driver:	1 x 2.0"
Input/Output section	Input connectors:	Cable
	Output connectors:	Cable
	Constant Voltage Transformer:	70/100 V
	Power selection 1:	50 W - 200 ohm
	Power selection 2:	30 W - 333 ohm
	Power selection 3:	25 W - 400 ohm
	Power selection 4:	15 W - 667 ohm
Power selection 5:	7.5 W - 1333 ohm	
Standard compliance	IP protection grade:	IP 66
	Safety agency:	CE compliant
Physical specifications	Cabinet/Case Material:	Aluminium
	Hardware:	Stainless steel U bracket
	Color:	Grey - RAL 7035
Size	Depth:	393 mm / 15.47 inches
	Diameter:	430 mm / 16.93 inches
	Weight:	3.57 kg / 7.87 lbs
Shipping information	Package Height:	415 mm / 16.34 inches
	Package Width:	420 mm / 16.54 inches
	Package Depth:	430 mm / 16.93 inches
	Package Weight:	6.06 kg / 13.36 lbs

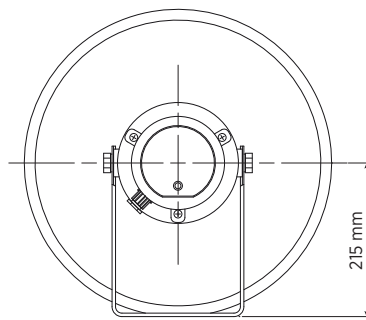
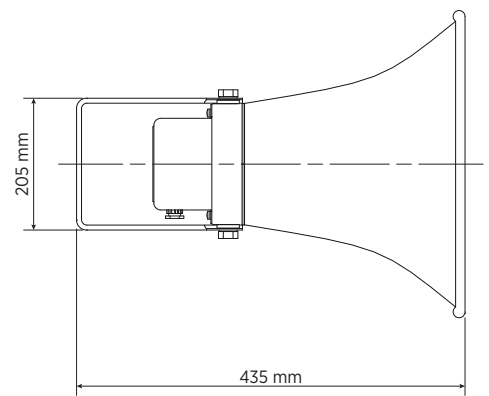
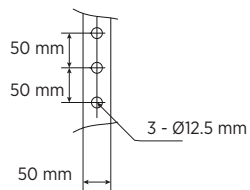
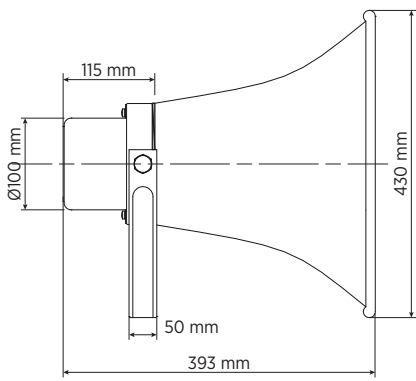
PART NUMBER

- **13133041**

HD 410T

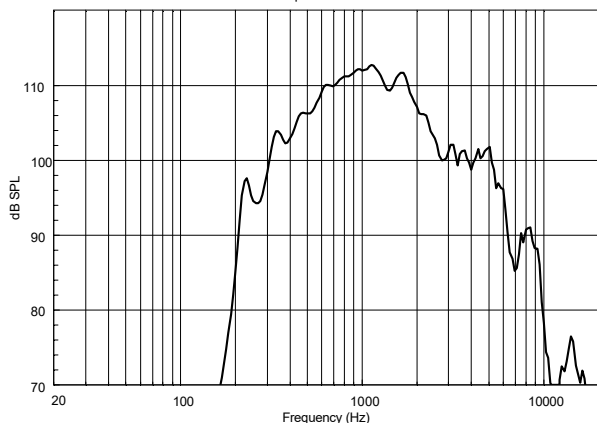
EAN 8024530001247

DRAWINGS

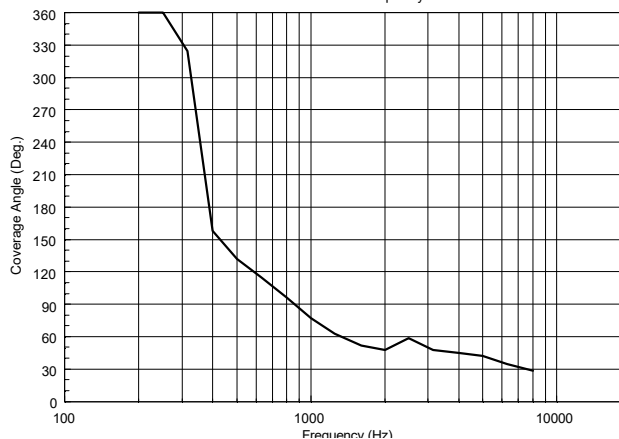




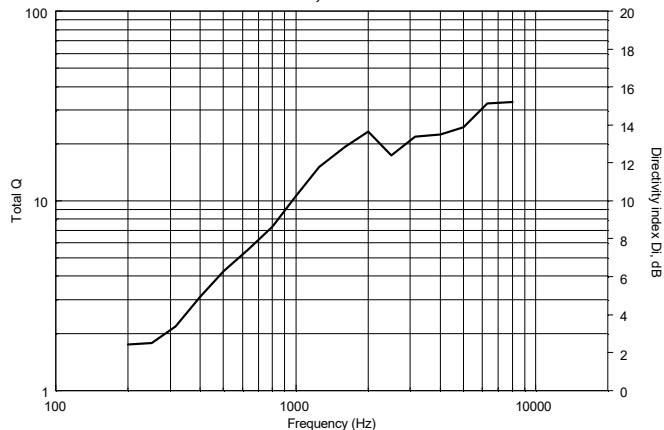
Response 1W/1m



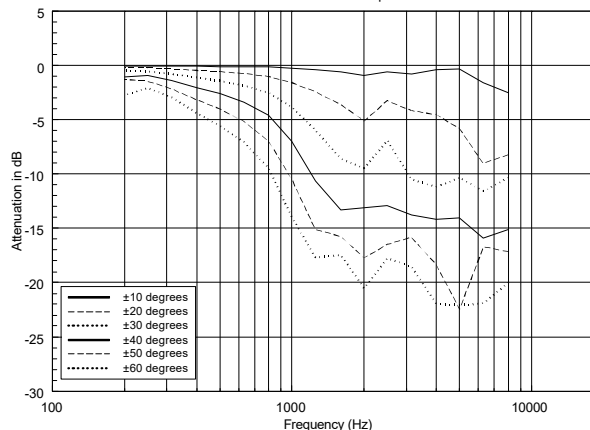
Beamwidth vs. Frequency



Directivity Index and Q



Normalized off-axis Response



HORIZONTAL 1/3 POLAR PLOT

