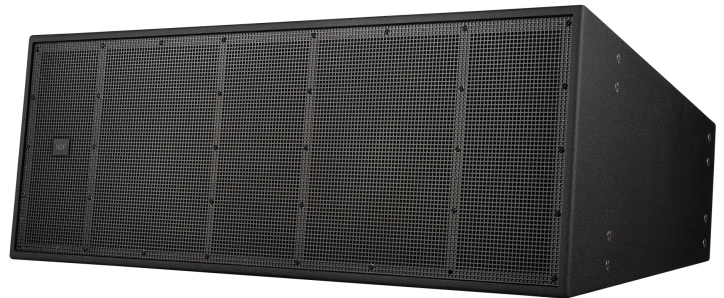


HVL 15-L

LONG THROW THREE-WAY SYSTEM

DESCRIPTION

HVL 15-L is a three-way, bi-amp loudspeaker system for long-throw applications, outfitted with 2 x 15" woofers, 2 x 10" midranges, and 2 x 4.0" voice coil, titanium dome compression drivers. Equipped with the latest generation of RCF precision transducers with powerful neodymium magnets, HVL 15-L provides very high output and accurate sound and voice reproduction. The system, driven in bi-amped mode, can produce a max SPL of 144 dB, handling 1000 W RMS (LF) + 900 W RMS (MHF). An internal passive filter provides crossover and equalization between the midranges and the compression drivers. The horizontal coverage is 90°, and the vertical coverage is 30°. A heavy-duty, weatherproof barrier strip provides connections. The cabinet is made of Baltic birch plywood. The finishing is a waterproof, textured, polyurea coating. The grille is in epoxy coated heavy-duty steel with open-cell fibers and water repellent woven-fabric backing.



FEATURES

- 1000 W (LF) + 900 W (MHF) power handling
- 147 dB max SPL
- 43 ÷ 18000 Hz frequency range
- 90° x 30° coverage angles
- Fully equipped with neodymium transducers
- Bi-amped system with passive filter between MF and HF
- Horn Loaded symmetric design
- Baltic birch plywood cabinet and steel grille
- Weatherproof treatment

TECHNICAL SPECIFICATIONS

Acoustical specifications	Frequency Response (-10dB):	43 Hz ÷ 18000 Hz
	Frequency Response (-3dB):	59 Hz ÷ 13000 Hz
	Max SPL @ 1m:	147 dB
	Horizontal coverage angle:	90°
	Vertical coverage angle:	30°
	Directivity index Q:	12
Power section	Amplification:	Bi-Amp
	Nominal Impedance LF:	8 ohm
	Power Handling LF:	1000 W
	Peak Power Handling LF:	4000 W
	Recommended Amplifier LF:	2000 W
	Sensitivity LF:	97 dB
	Nominal Impedance MF+HF:	8 ohm
	Power Handling MF+HF:	900 W
	Peak Power Handling MF+HF:	3600 W
	Recommended Amplifier MF+HF:	1800 W
	Sensitivity MF + HF:	111 dB
	Protections MF+HF:	Dynamic Active Mosfet
Crossover Frequencies:	1000 Hz	
Transducers	Compression Driver:	2 x 1.4" neo, 4.0" v.c
	Midrange:	2 x 10" neo, 3.0" v.c
	Woofer:	2 x 15" neo, 3.5" v.c
Input/Output section	Input connectors:	Screw Terminals
	Output connectors:	Screw Terminals
Standard compliance	Safety agency:	CE compliant
Physical specifications	Cabinet/Case Material:	Baltic birch plywood
	Hardware:	n° 8 x M20 on each side panel n° 8 x M20 on top and bottom panels
	Grille:	Steel
	Color:	White - RAL 9010, Black - RAL 9005
Size	Height:	525 mm / 20.67 inches
	Width:	1382 mm / 54.41 inches
	Depth:	815 mm / 32.09 inches
	Weight:	110 kg / 242.51 lbs
Shipping information	Package Height:	920 mm / 36.22 inches
	Package Width:	1405 mm / 55.31 inches
	Package Depth:	545 mm / 21.46 inches
	Package Weight:	120 kg / 264.55 lbs

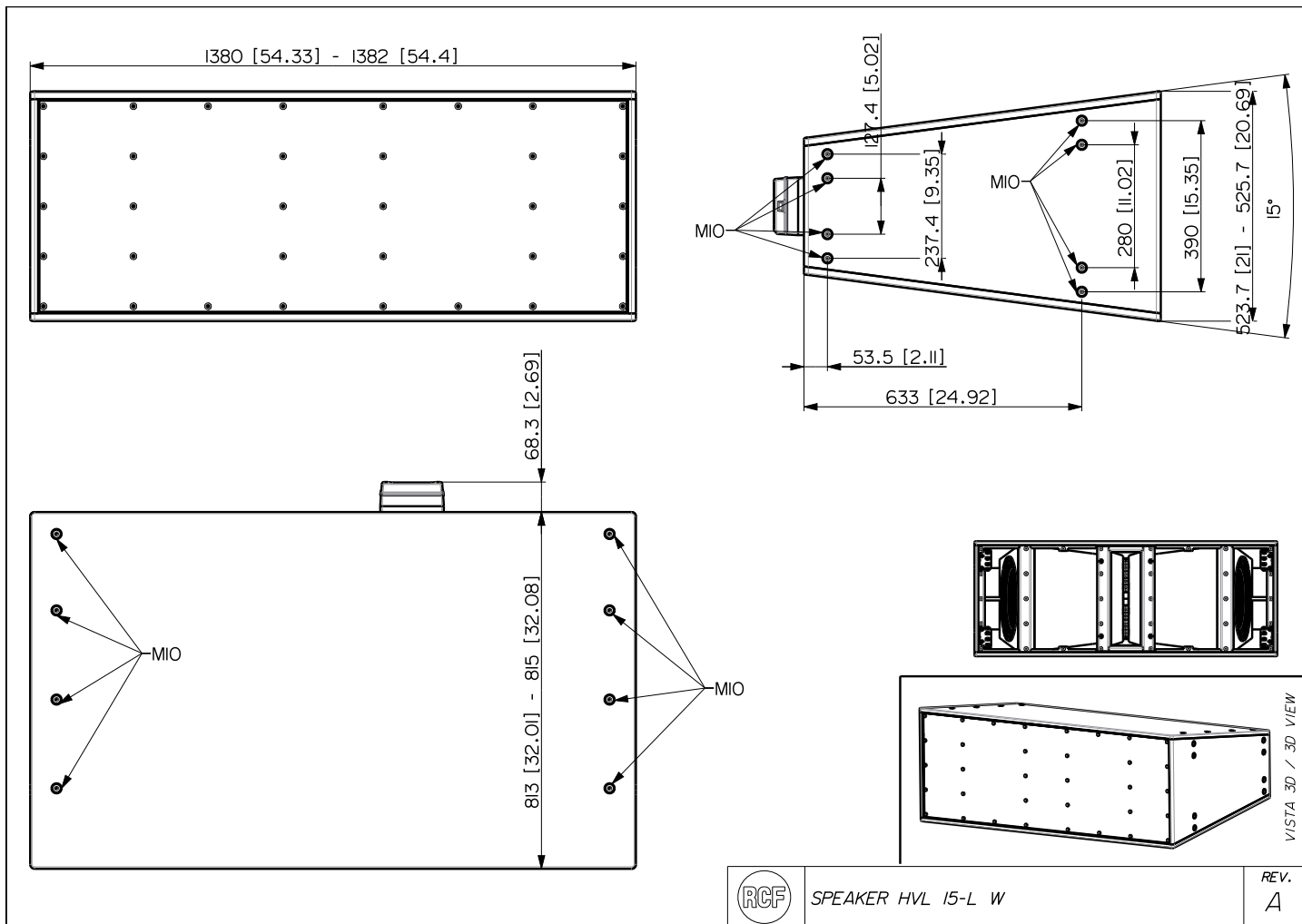


PART NUMBER

- **13000640**

HVL 15-L W

EAN 8024530017606



SPEAKER HVL 15-L W

REV.
A

