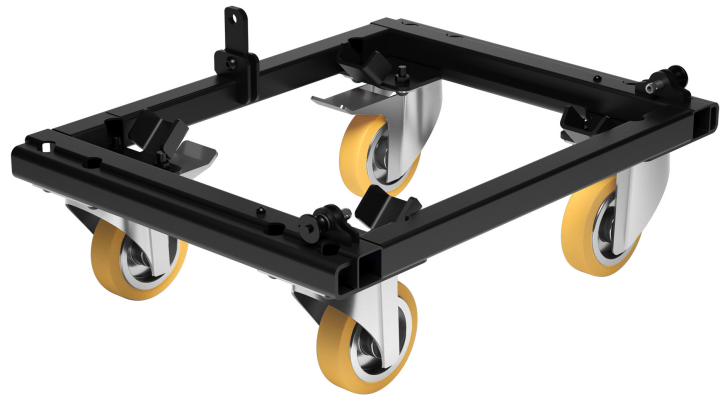


# KRT-WH 6X HDL 6

KART WITH WHEELS

## DESCRIPTION

Cart to store and transport up to 6 modules for HDL 6-A or HDL 26-A or HL 6.



**TECHNICAL SPECIFICATIONS**

<b>General specifications</b>	Wheel diameter	100 mm
<b>Standard compliance</b>	CE marking:	Yes
<b>Physical specifications</b>	Cabinet/Case Material:	Metal
	Color:	Black
<b>Size</b>	Height:	231 mm / 9.09 inches
	Width:	400 mm / 15.75 inches
	Depth:	525 mm / 20.67 inches
	Weight:	10 kg / 22.05 lbs
<b>Shipping informations</b>	Package Height:	215 mm / 8.46 inches
	Package Width:	415 mm / 16.34 inches
	Package Depth:	550 mm / 21.65 inches
	Package Weight:	13 kg / 28.66 lbs

**PART NUMBER**

- **13360366**

KRT-WH 6X HDL 6

EAN 8024530014421

