

# S 12

## BASS REFLEX SUBWOOFER

### DESCRIPTION

S 12 is a high power, compact subwoofer system ideal for those installations where the physically small size and impact of a 12" driver are desired. Extending the frequency response of these systems to below 40Hz this highly efficient design is capable of providing output levels normally associated with considerably larger enclosures. A system suited to background music playback in applications ranging from clubs, bars and cafes, right through to theatres and AV presentations. The low-frequency transducer is a 12" woofer with a 2,5" voice coil. Woofer design is the result of the latest refinements in RCF experiences in compact active and passive subwoofer design, resulting in a fast and controlled reproduction of the bass frequency range.



### FEATURES

- 400 W RMS power handling
- 125 dB max SPL
- 40 ÷ 200 Hz frequency range
- 1 x 12" high power woofer
- High quality plywood cabinet
- Steel front grille with clothing
- M20 standard pole mount in top section of cabinet
- 4 pole EUROBLOCK connector (audio input and parallel link output)

## TECHNICAL SPECIFICATIONS

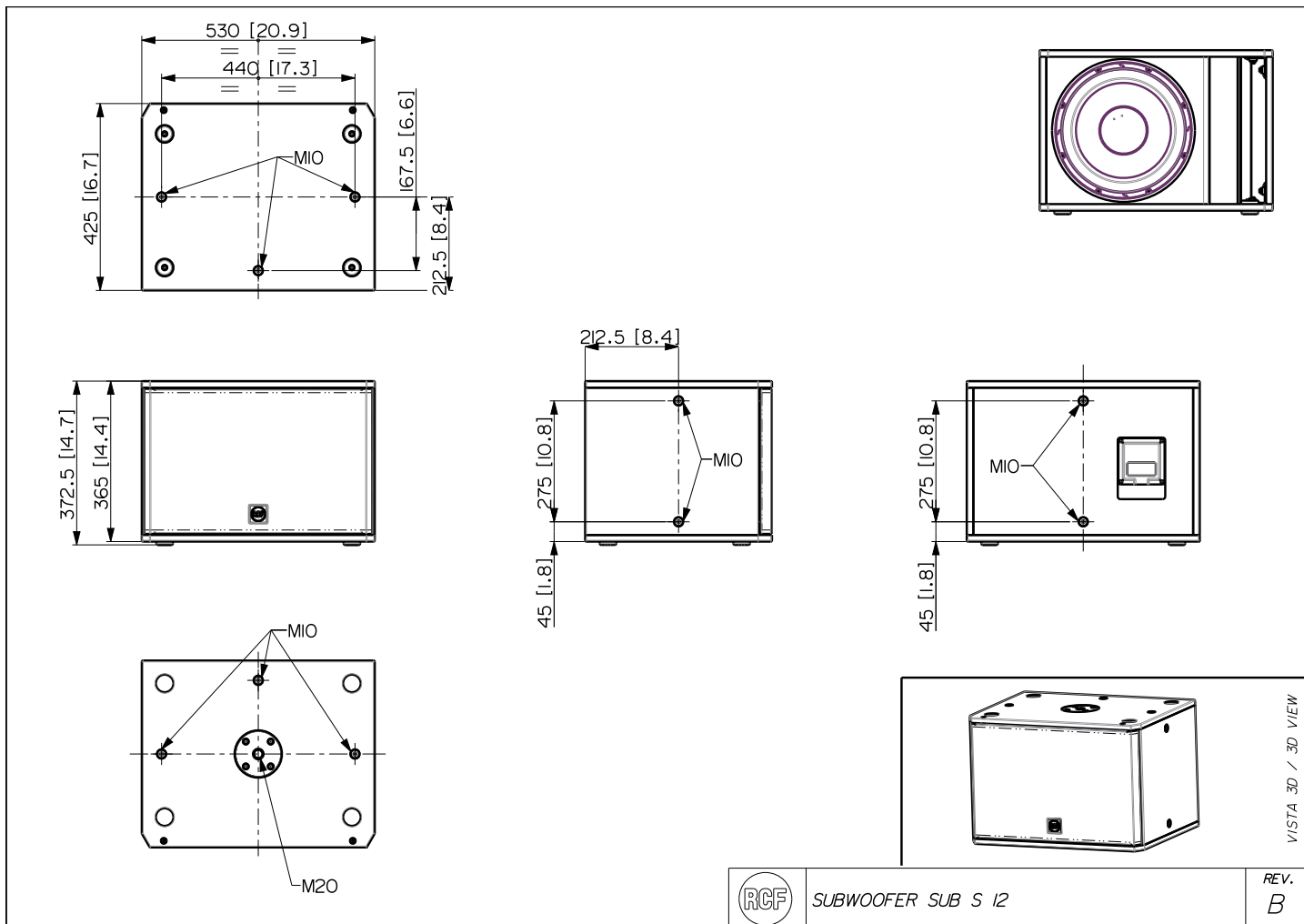
|                                  |                             |                       |
|----------------------------------|-----------------------------|-----------------------|
| <b>Acoustical specifications</b> | Frequency Response (-10dB): | 40 Hz ÷ 200 Hz        |
|                                  | Max SPL @ 1m:               | 125 dB                |
|                                  | System Sensitivity:         | 93 dB                 |
| <b>Power section</b>             | Amplification:              | Full Range            |
|                                  | Nominal Impedance:          | 8 ohm                 |
|                                  | Power Handling:             | 400 W RMS             |
|                                  | Peak Power Handling:        | 1600 W PEAK           |
|                                  | Recommended Amplifier:      | 800 W                 |
| <b>Transducers</b>               | Woofer:                     | 12", 2.5" v.c         |
| <b>Input/Output section</b>      | Input connectors:           | Euroblock             |
|                                  | Output connectors:          | Euroblock             |
| <b>Standard compliance</b>       | Safety agency:              | CE compliant          |
| <b>Physical specifications</b>   | Cabinet/Case Material:      | Plywood               |
|                                  | Hardware:                   | 12 x M10              |
|                                  | Pole mount/Cap:             | Yes                   |
|                                  | Grille:                     | Steel with clothing   |
|                                  | Color:                      | Black                 |
| <b>Size</b>                      | Height:                     | 373 mm / 14.69 inches |
|                                  | Width:                      | 530 mm / 20.87 inches |
|                                  | Depth:                      | 425 mm / 16.73 inches |
|                                  | Weight:                     | 24.6 kg / 54.23 lbs   |
| <b>Shipping information</b>      | Package Height:             | 423 mm / 16.65 inches |
|                                  | Package Width:              | 470 mm / 18.5 inches  |
|                                  | Package Depth:              | 575 mm / 22.64 inches |
|                                  | Package Weight:             | 27.4 kg / 60.41 lbs   |

## PART NUMBER

- **13000618**

S 12

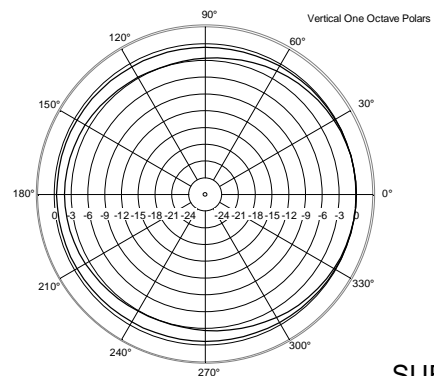
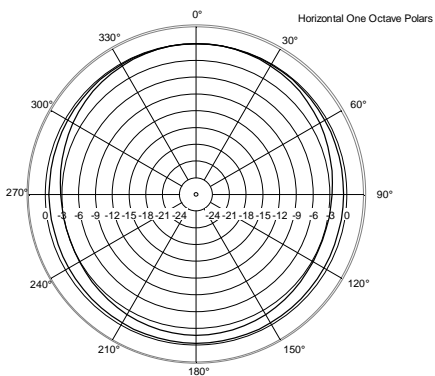
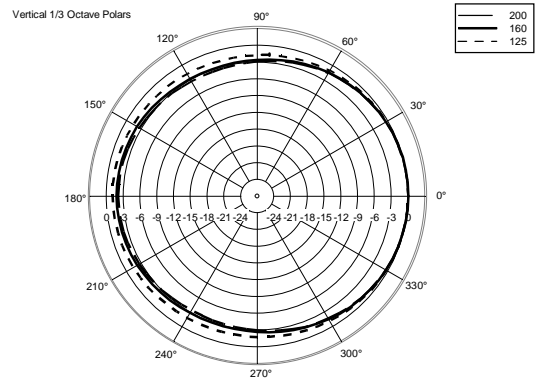
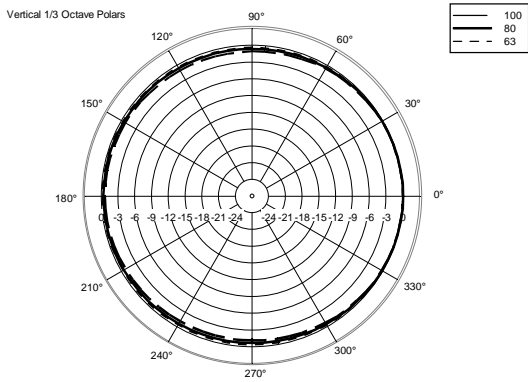
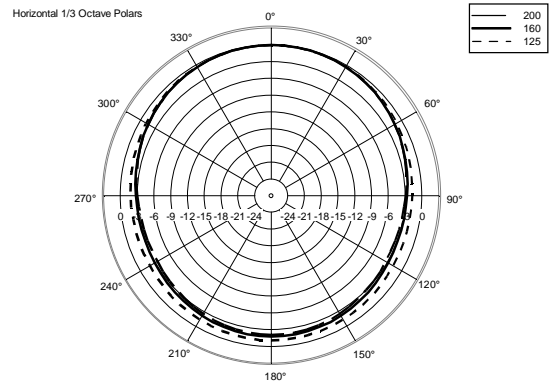
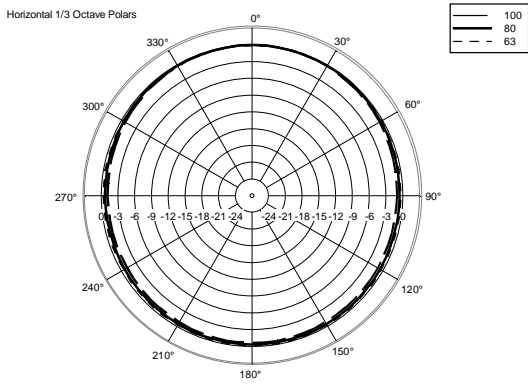
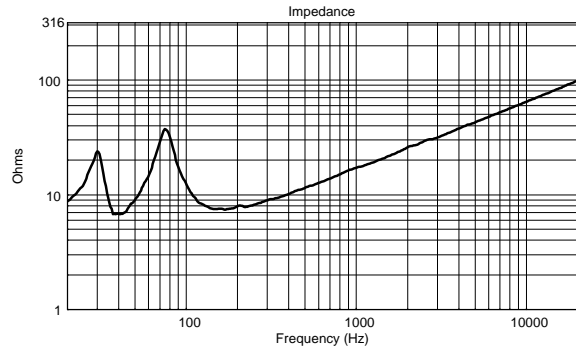
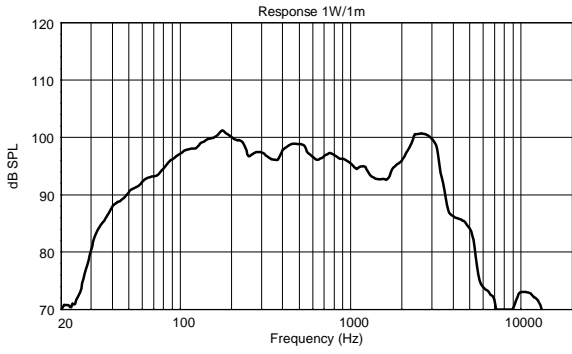
EAN 8024530018344



SUBWOOFER SUB S 12

REV.  
B

VISTA 3D / 3D VIEW



**ACCESSORIES**



PANEL PNL IN-OUT AMPHENOL

PART NUMBER **12399063**  
 EAN: 8024530020149



PANEL PNL IN-OUT SPEAKON

PART NUMBER **12399062**  
 EAN: 8024530018733



## **A&E SPECIFICATIONS**

The product shall be a high power, compact subwoofer system ideal for installations where the physically small size and impact of a 12" driver are desired. It shall extend the frequency response to below 40Hz with a highly efficient design capable of providing output levels normally associated with considerably larger enclosures. It shall be suited to background music playback in applications ranging from clubs, bars and cafes, right through to theatres and AV presentations. The low-frequency transducer shall be a 12" woofer with a 2,5" voice coil, with fast and controlled reproduction of the bass frequency range.

---