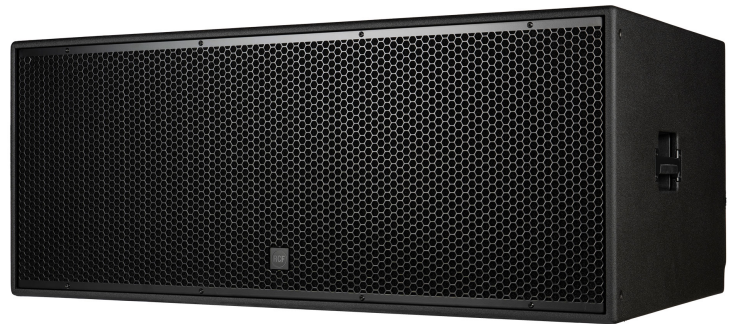


S 29

HIGH-POWER BASS REFLEX SUBWOOFER

DESCRIPTION

S 29 is a high-power double 19" subwoofer suitable for RCF Installed Sound systems. The bass-reflex design ensures an efficient acoustic response down to 25 Hz. The high-quality plywood cabinet is finished with a black, heavy-duty polyurea coating and protected by a powder-coated metal grille. The recessed input panel features two Speakon NL4 connectors, allowing a quick and safe connection. A M20 pole mount adaptor on top and handles on both sides are provided. Both models can be ground-stacked and are cardioid-arrayable for improved rear rejection.



FEATURES

- Up to 3000 W power handling
- 143 dB max SPL
- 25 ÷ 200 Hz frequency range
- 2x19" HyperVented Neodymium Woofer with 4" v.c.
- High-quality polyurea-coated multi-ply cabinet
- Steel front grille with clothing
- M20 standard pole mount in top section of cabinet
- Speakon NL4 connectors

TECHNICAL SPECIFICATIONS

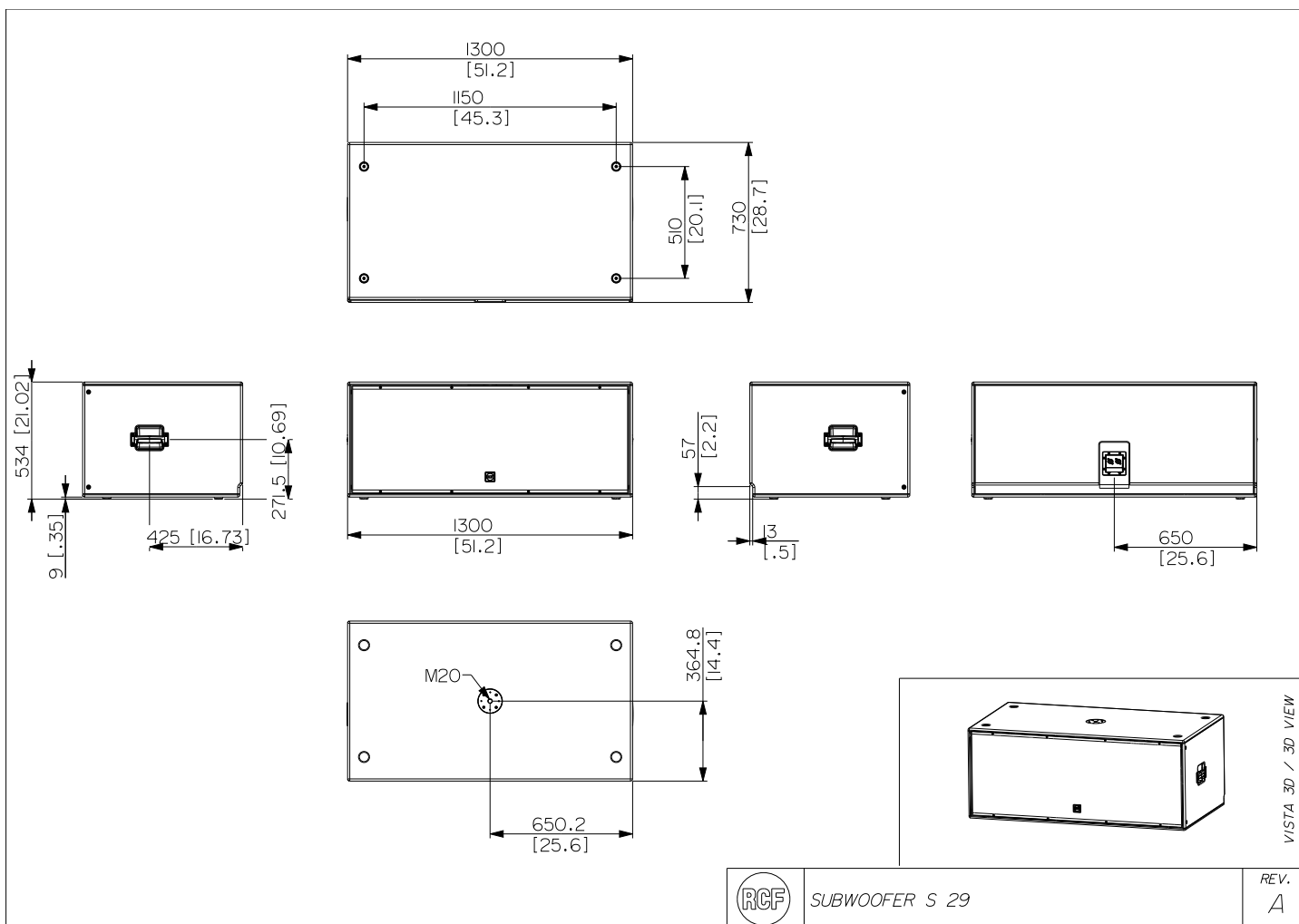
Acoustical specifications	Frequency Response (-10dB)	25 Hz ÷ 200 Hz
	Max SPL @ 1m	143 dB
Power section	Amplification	Full Range
	Nominal Impedance	4 ohm
	Power Handling	3000 W
	Peak Power Handling	12000 W PEAK
Transducers	Woofer	2 x 19" neo, 4.0" v.c
Input/Output section	Input connectors	Speakon® NL4
	Output connectors	Speakon® NL4
Standard compliance	Safety agency	CE compliant
Physical specifications	Handles	2 side
	Pole mount/Cap	Yes
Size	Height	534 mm / 21.02 inches
	Width	1300 mm / 51.18 inches
	Depth	730 mm / 28.74 inches
	Weight	85 kg / 187.39 lbs
Shipping information	Package Height	620 mm / 24.41 inches
	Package Width	1360 mm / 53.54 inches
	Package Depth	800 mm / 31.5 inches
	Package Weight	90 kg / 198.42 lbs

PART NUMBER

- **13100097**

S 29

EAN 8024530021757



SUBWOOFER S 29

REV.
A