

SWM-BR VSA

PAIR OF SWIVEL BRACKETS

DESCRIPTION

Each kit includes a pair of swivel brackets for wall mounting of a single RCF VSA 2050 \ VSA 1250 \ VSA 850 'Digitally steerable array loudspeaker system' with a horizontal angle pointing (up to 60°).



FEATURES

- Two mounting points for the VSA loudspeaker rear side
- Three holes for wall mounting through M5 wall plugs
- Two bolts and nuts (used as pins) can be tightened to fix the VSA loudspeaker when the horizontal angle pointing is correct
- Two holes to secure the VSA loudspeaker to the swivel bracket through two screws (M5x10)

**TECHNICAL SPECIFICATIONS**

General specifications	Mounting points	2
	Orientation	Horizontal
	Maximum angle	60°
Standard compliance	CE marking:	Yes
Size	Width:	318 mm / 12.52 inches
	Weight:	1.51 kg / 3.33 lbs
Shipping informations	Package Height:	74 mm / 2.91 inches
	Package Width:	314 mm / 12.36 inches
	Package Depth:	154 mm / 6.06 inches
	Package Weight:	1.71 kg / 3.77 lbs

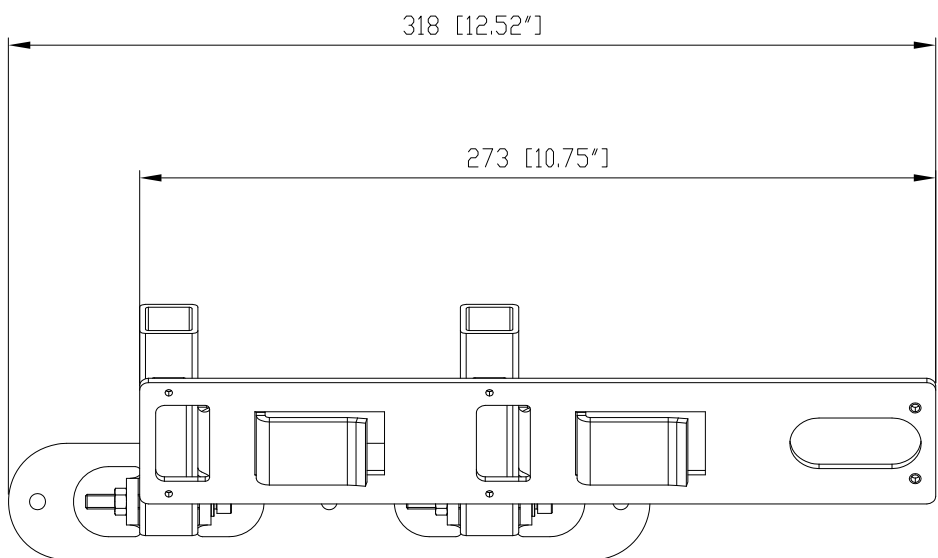
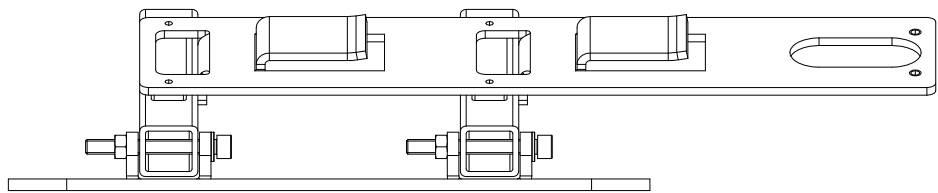
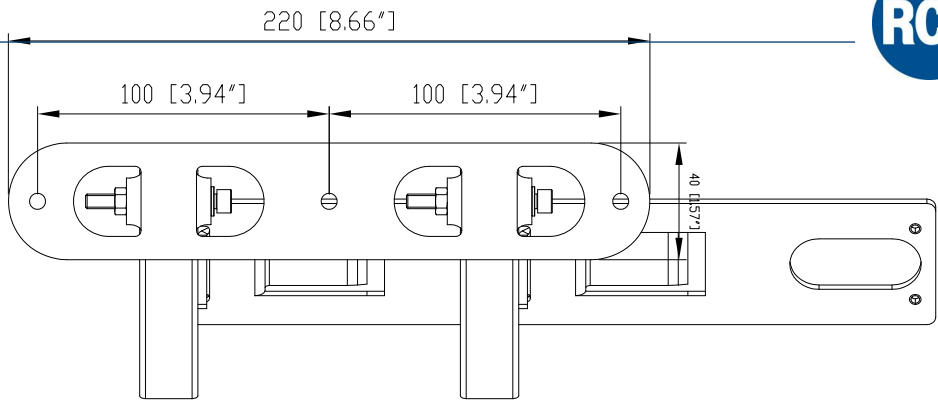
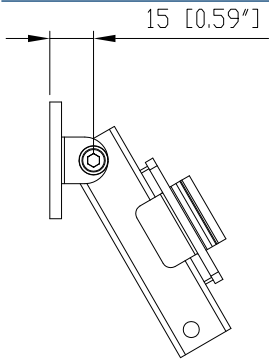
PART NUMBER

- **13360163**

SWM-BR VSA

EAN 8024530007003

DATASHEET



AC VSA S-BR